

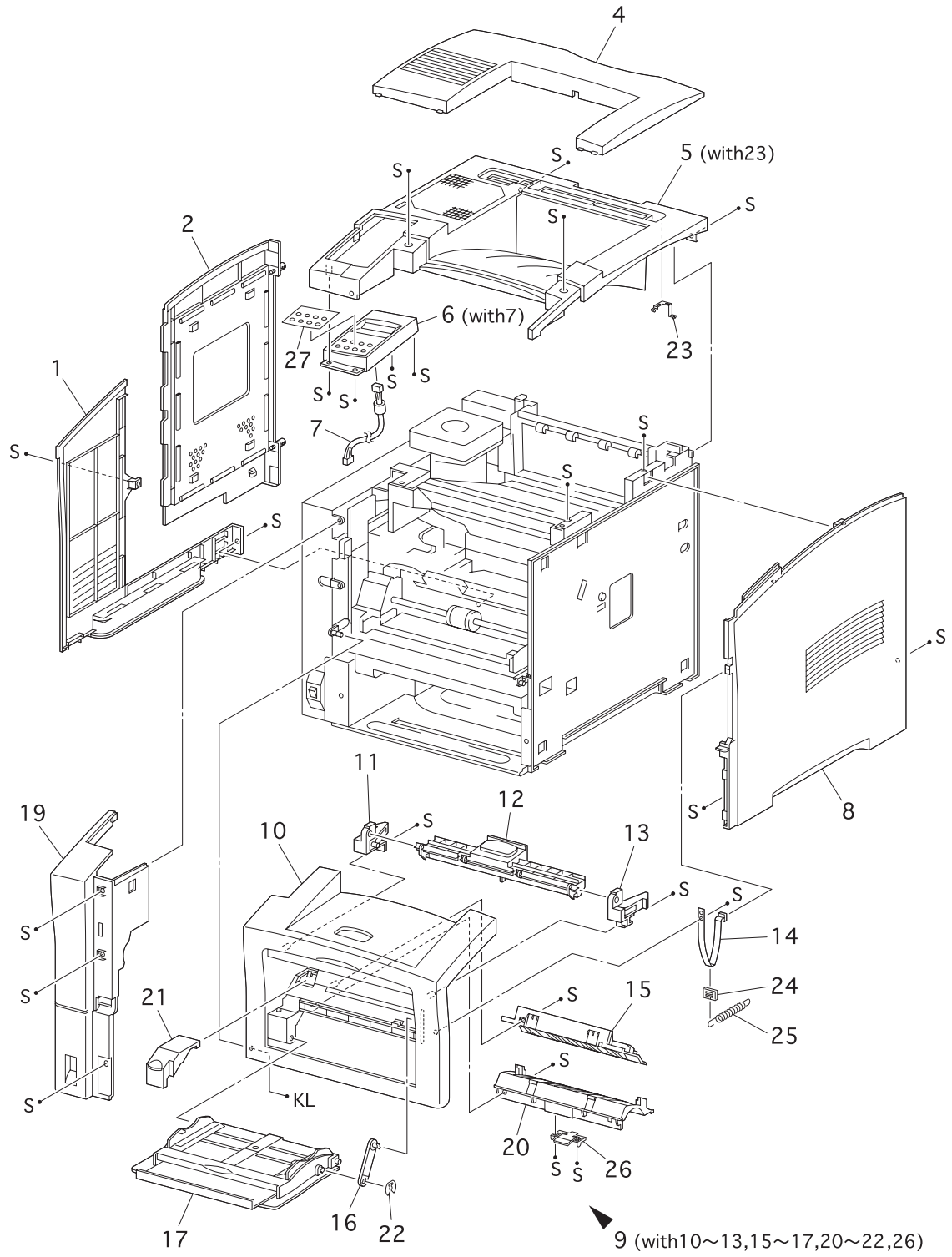
OEL Disassembly Drawing

B6100

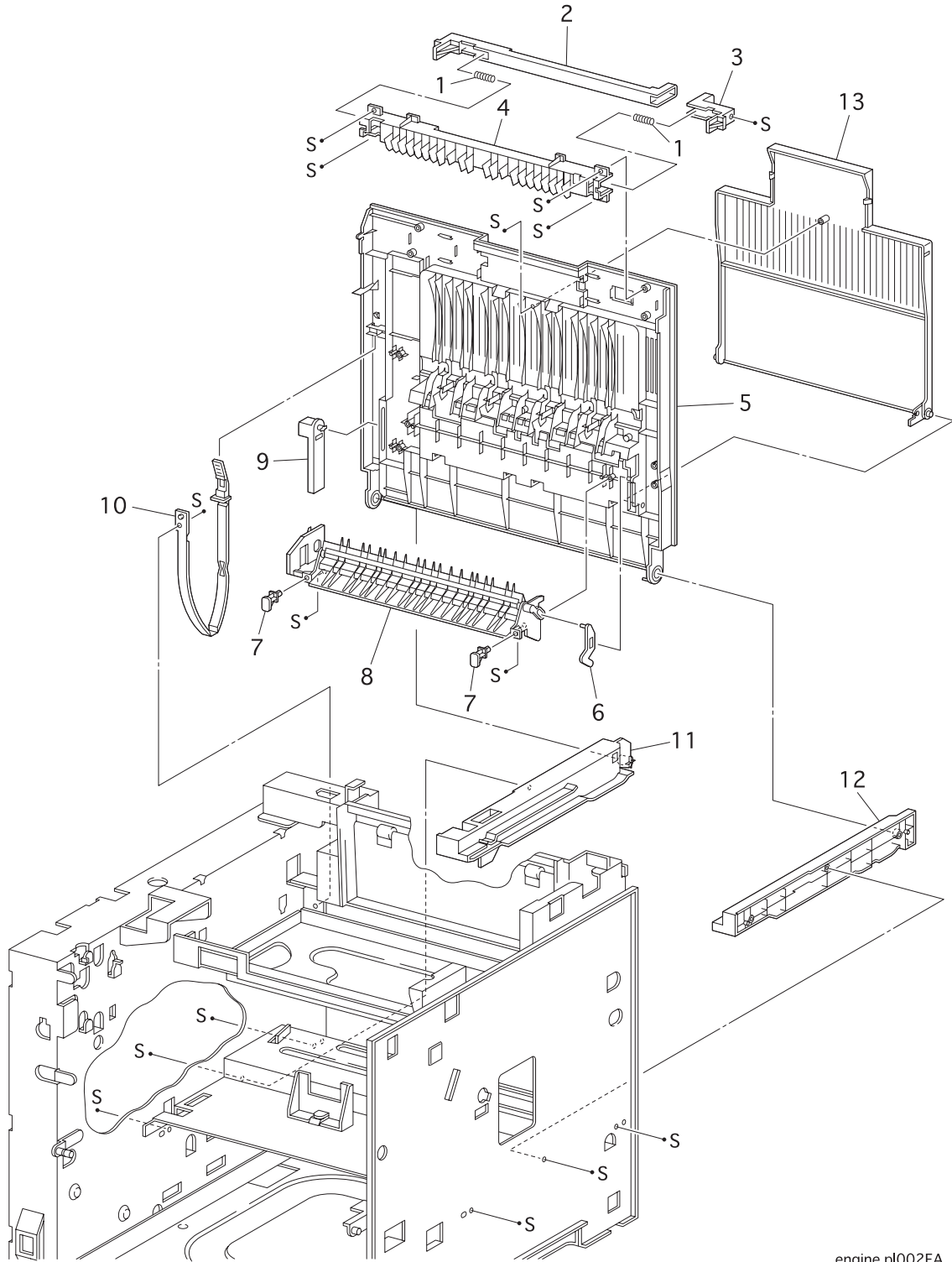


Revision 1

PL1.1 Covers I

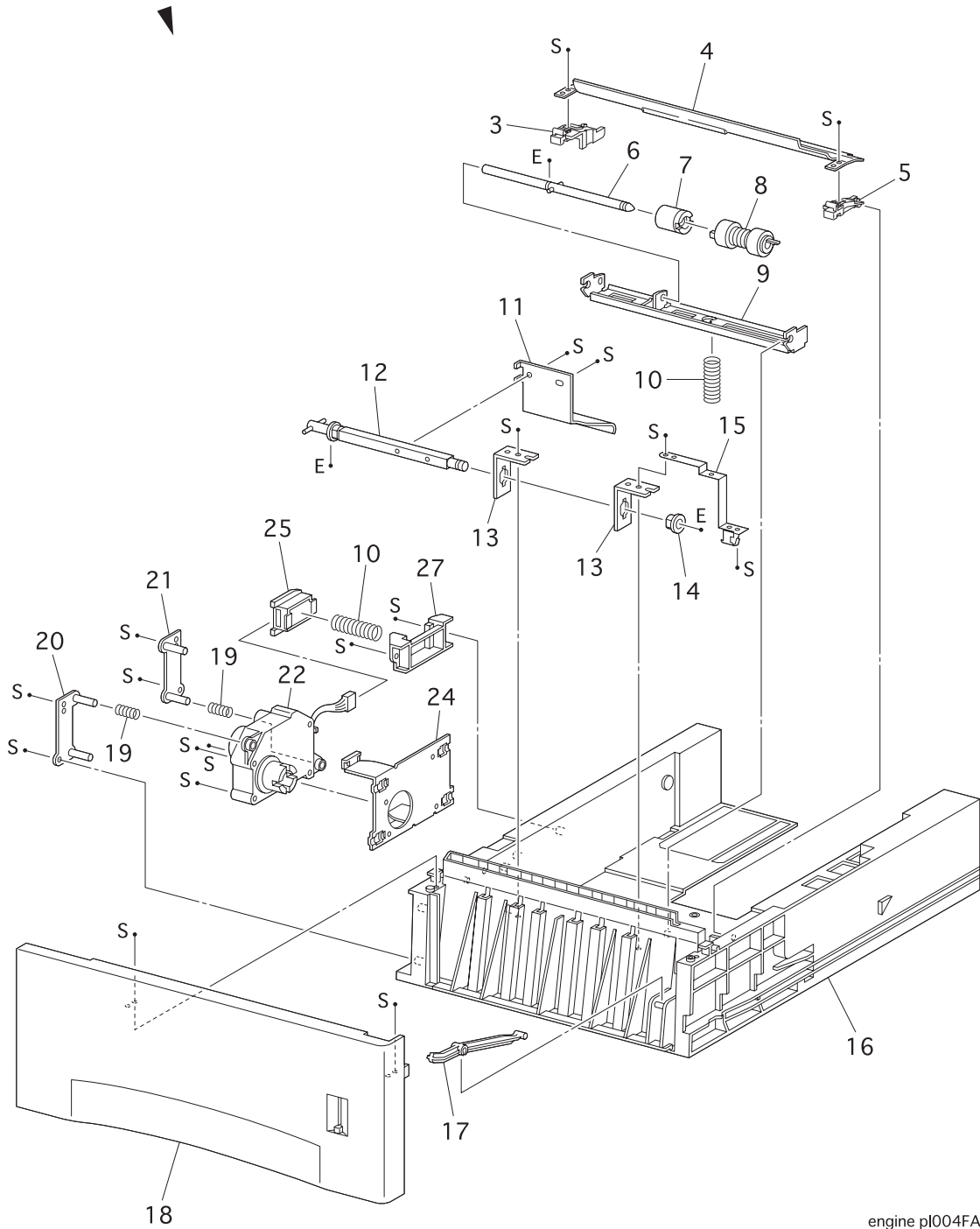


PL1.2 Covers II

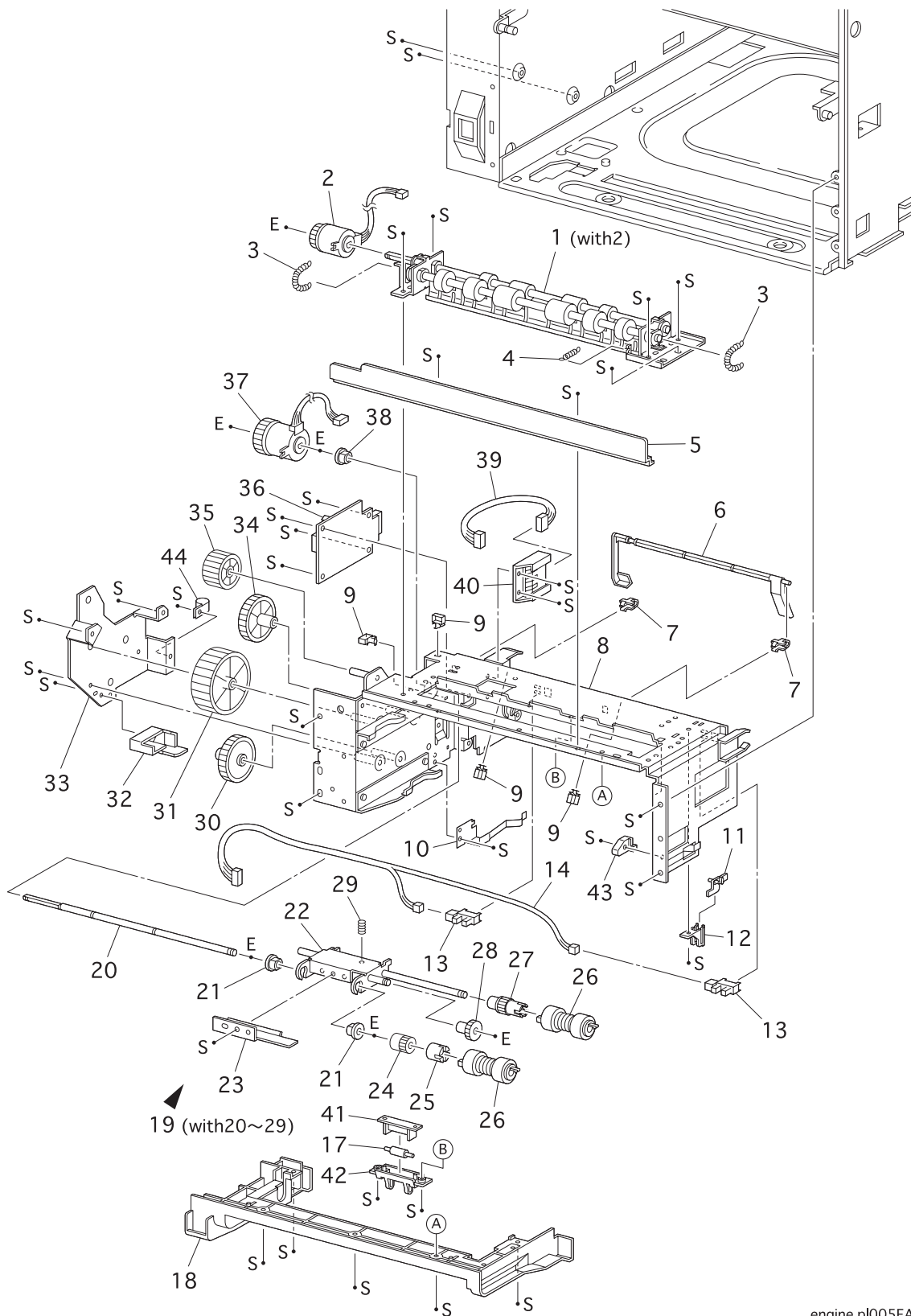


PL2.2 Paper Cassette II

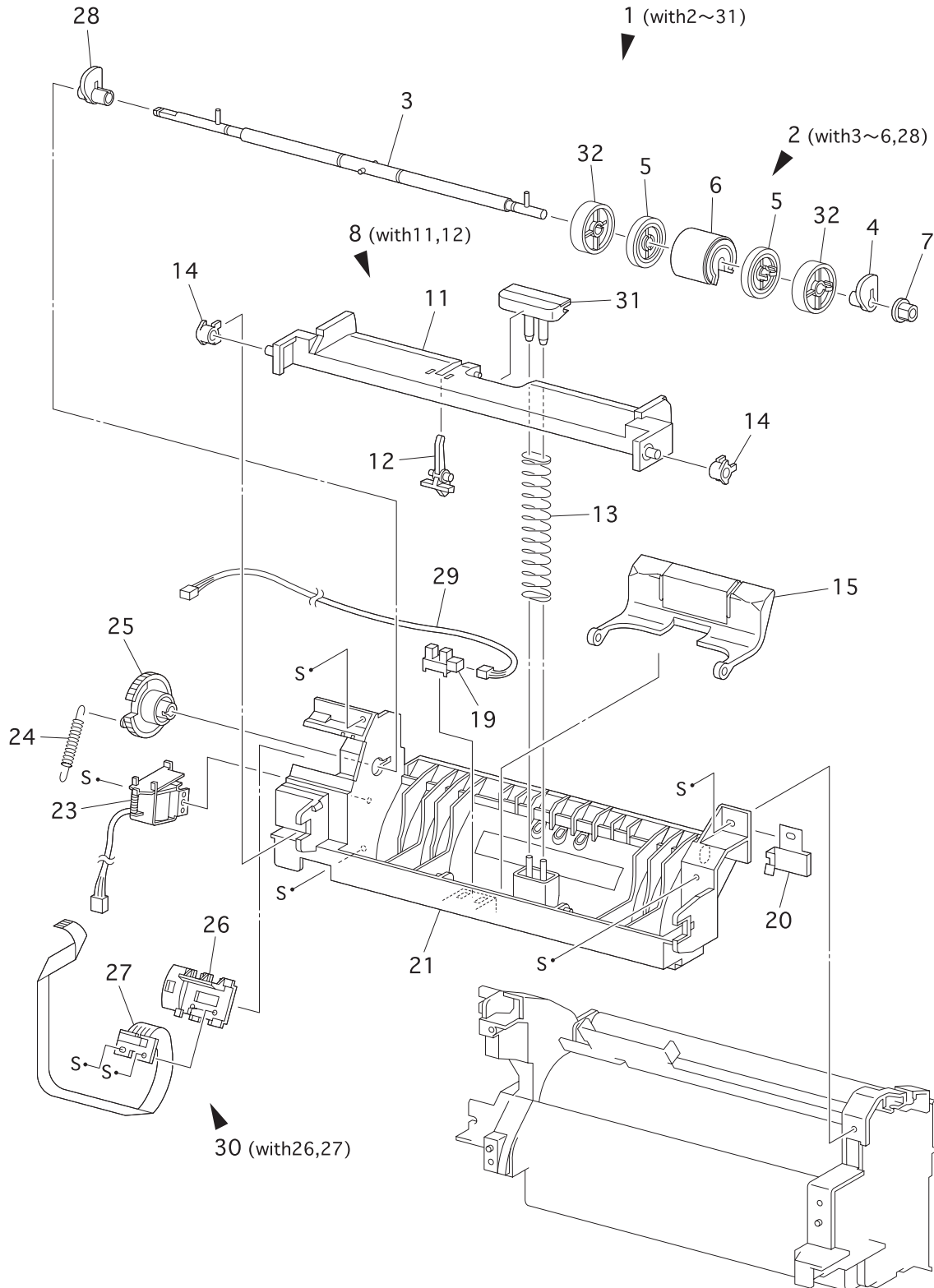
1 (with 2~27) [Same PL2.1.18]



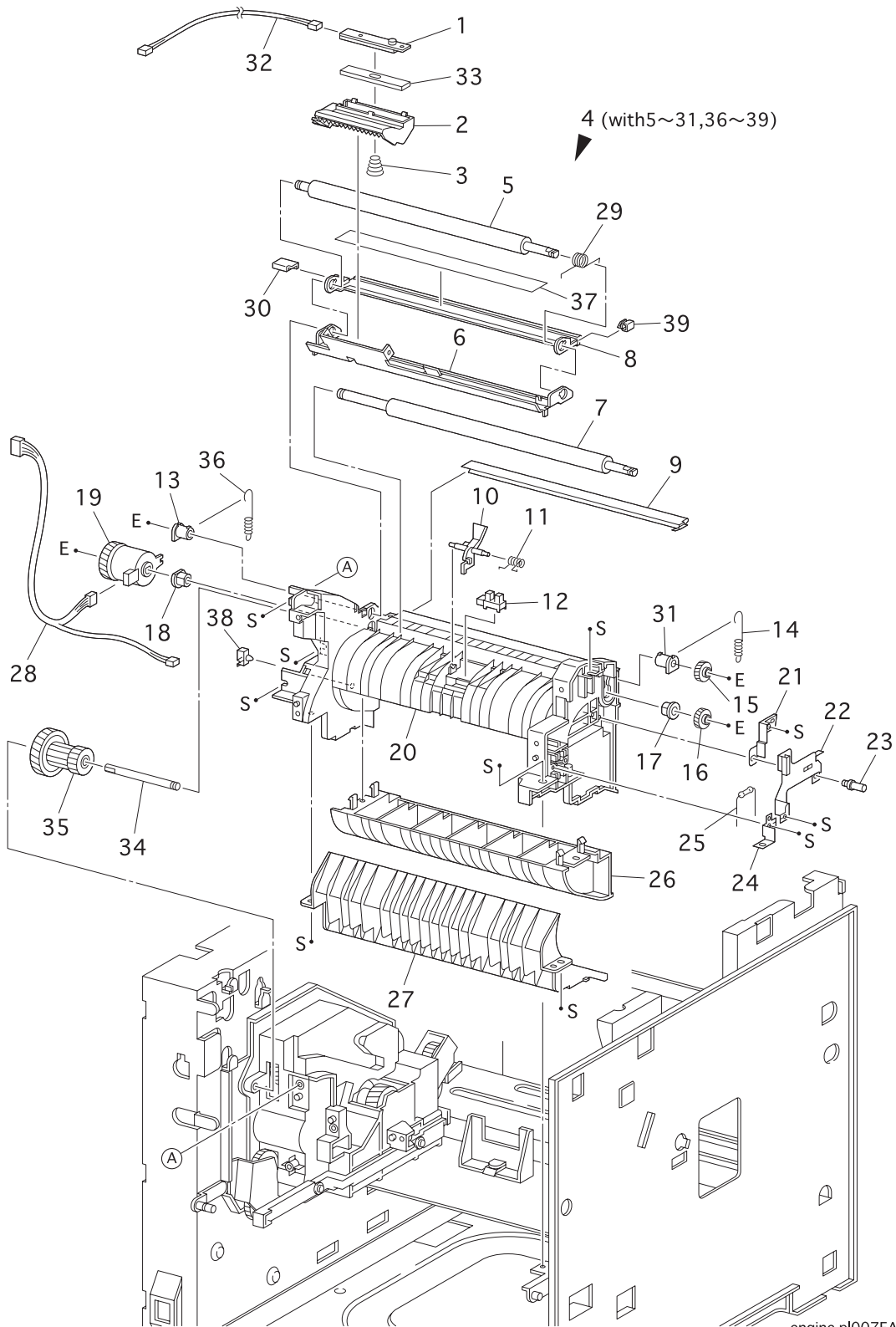
PL3.1 Paper Feeder



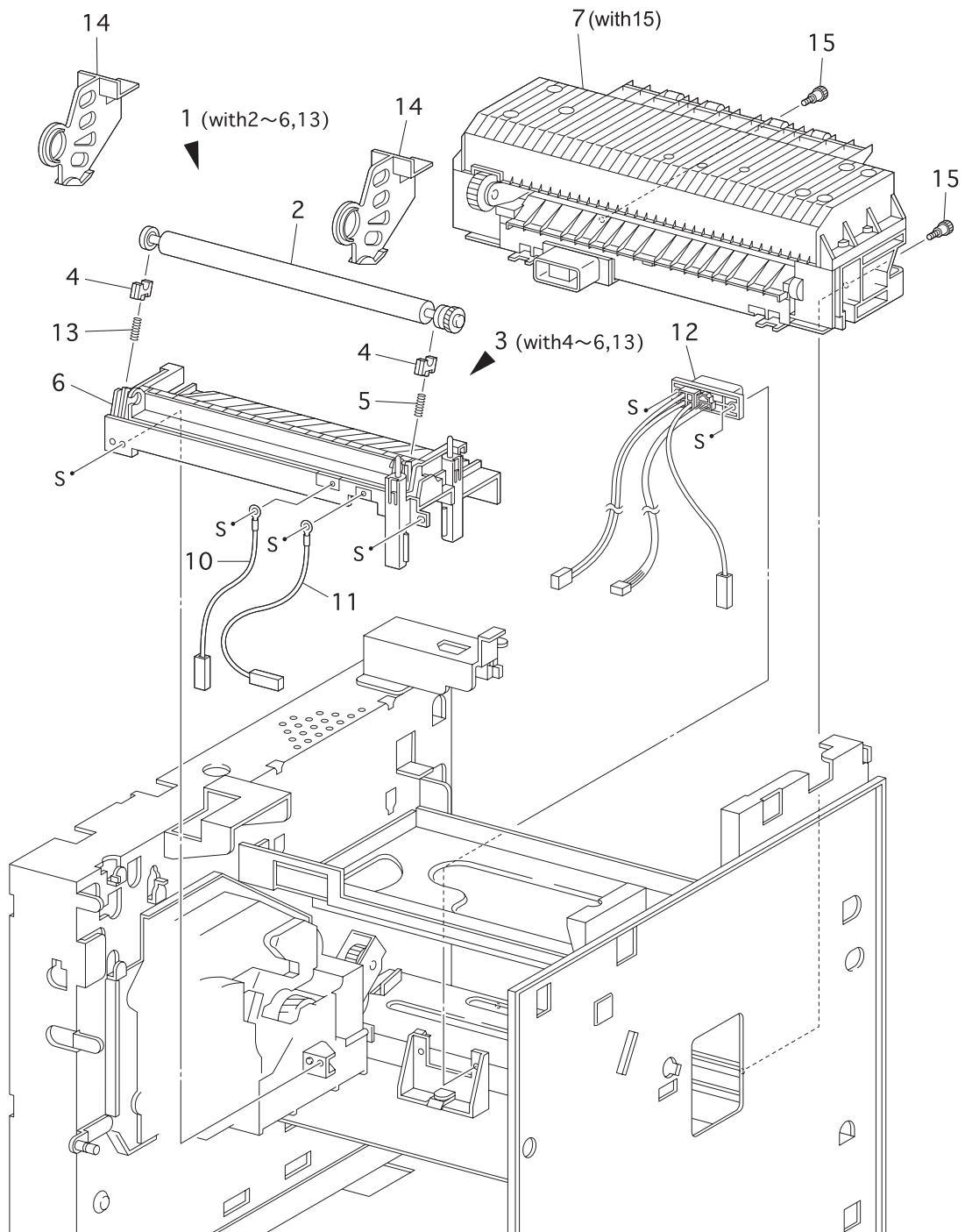
PL4.1 Chute MBF



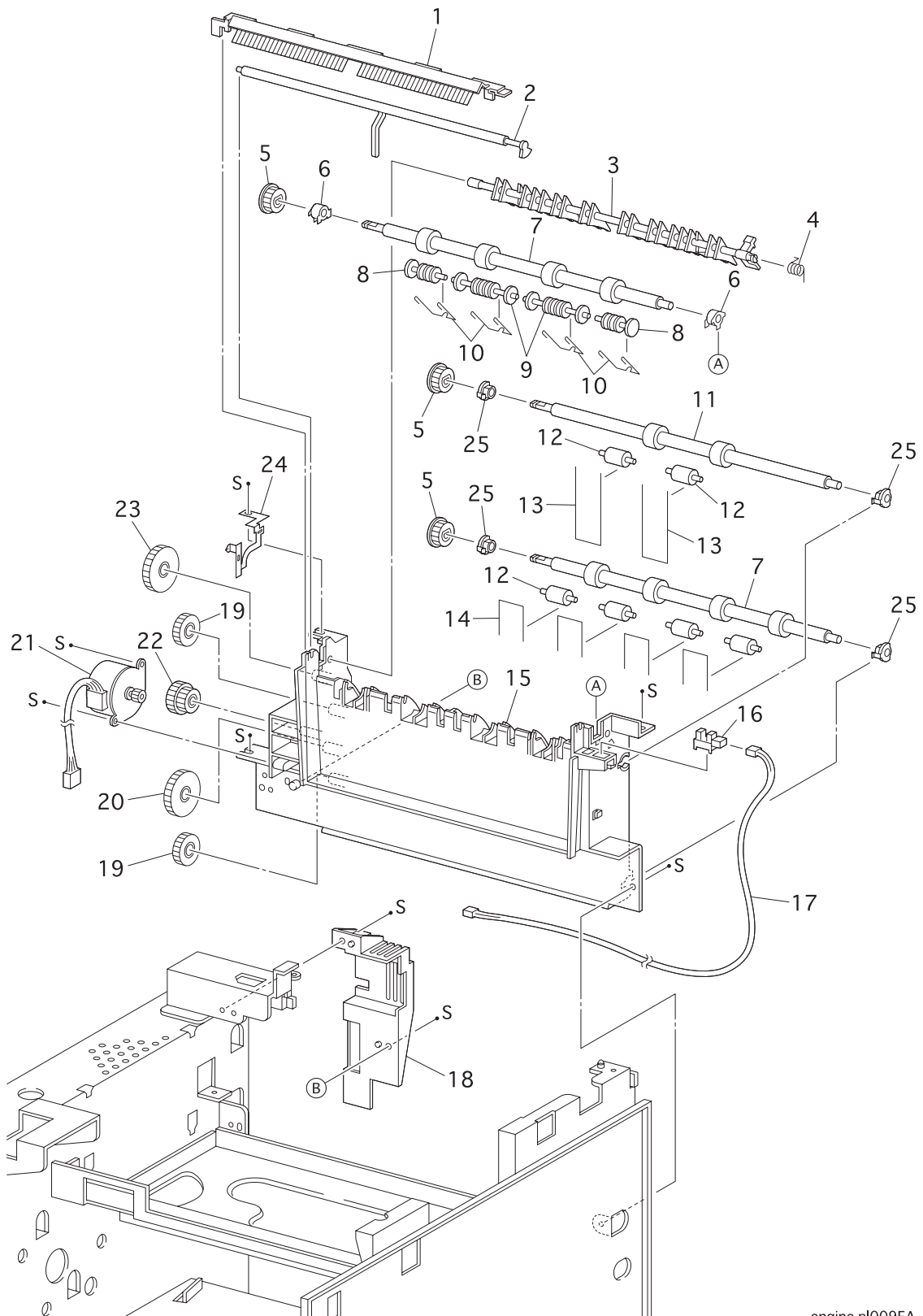
PL5.1 P/H Assy



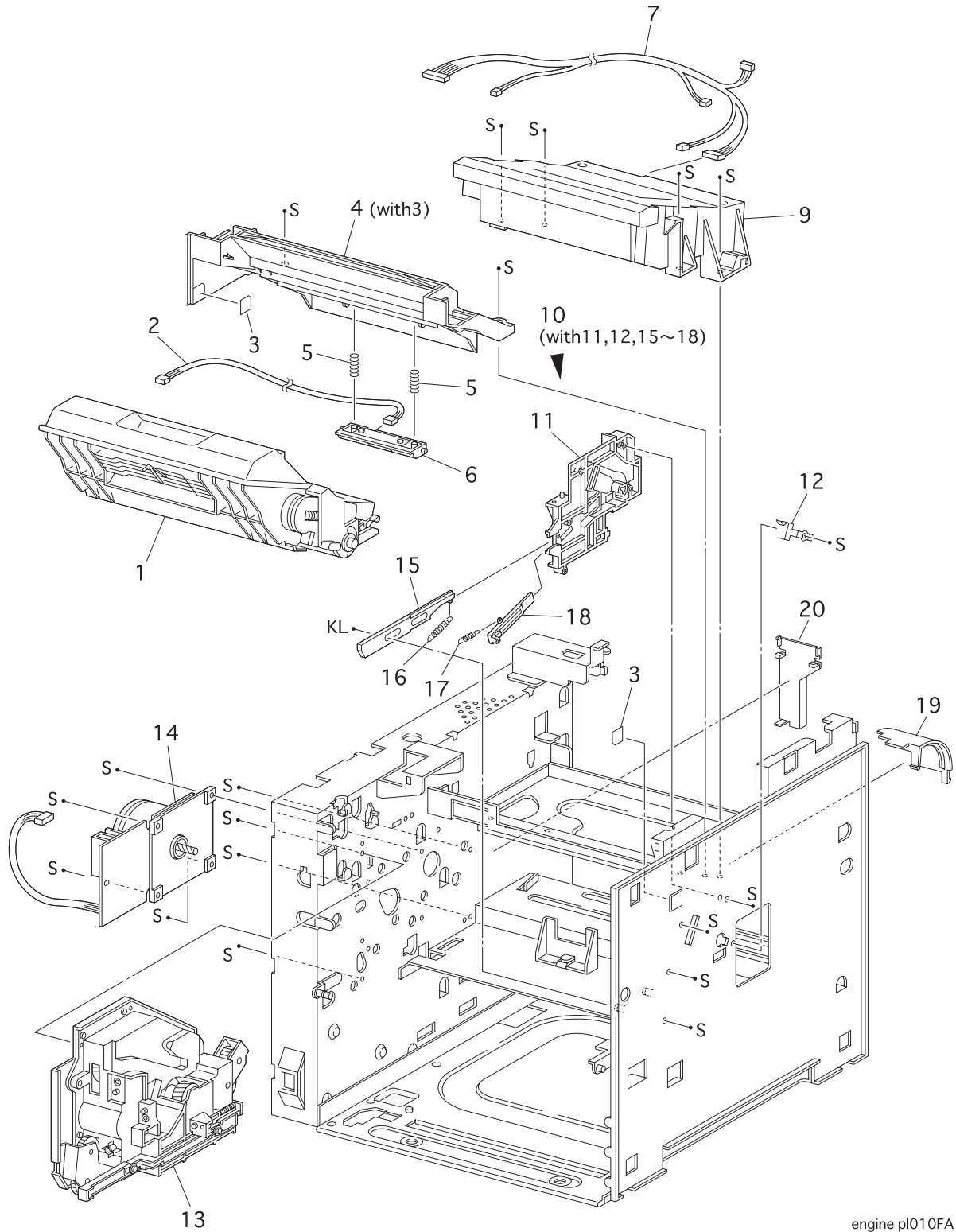
PL6.1 Chute Trans & Fuser



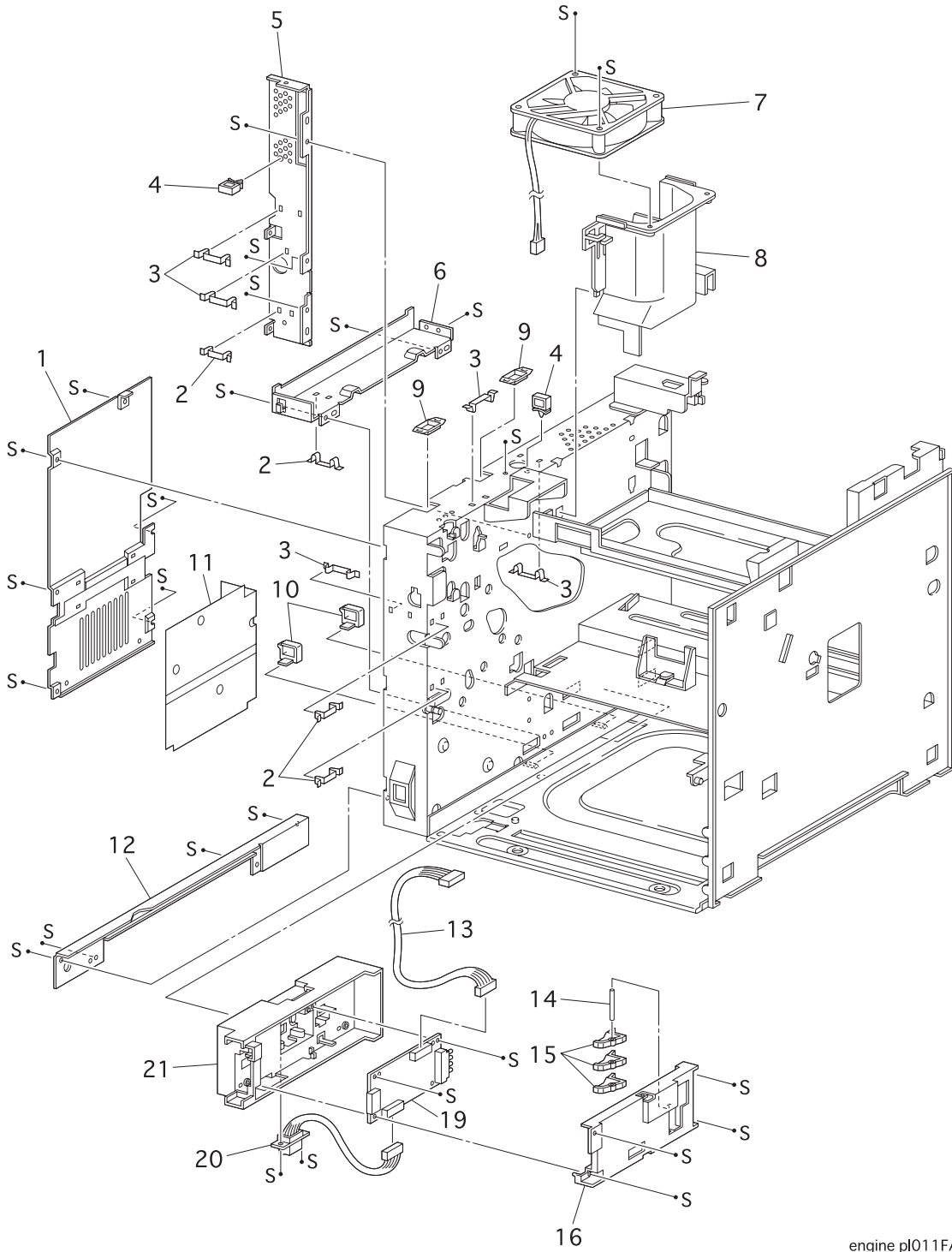
PL7.1 Exit



PL8.1 Drive & Xerographics



PL9.1 Frame & Size Sensor



PL10.1 Electrical

