

Spare Parts Listings + Disassembly Diagrams

B8300



Revision 2

The following RSPL files go with the following drawings:

RSPL	DRAWING
6.10.20 - B83MP_LT_TT_(new).xls	B83MP_LT_TT_ILLUST.pdf
6.10.19 - B83F_ARFN6_(new).xls	B83F_ILLUST.pdf
6.10.19 - ARDU3_4_OKI_(new).xls	B83D_B83DB_ILLUST.pdf
6.10.19 - ARFN7_OKI_(new).xls	B83SS_ILLUST.pdf
6.10.19 - ARMSI_OKI_(new)1.xls	B83MB_ILLUST.pdf
06.09.29 - B8300(new).xls	B8300_Illust Drawing.pdf

BLK	UNIT	ITEM	RANK	PRICE	PARTS CODE	DESCRIPTION	SPEC	LOCATION
001						1.Exteriors[B83MP]		
001		001	D	BG	GCAB-0949FCZ1	Multi right exterior		
001		004	D	BL	GCAB-0953FCZ2	Top side exterior		
001		005	D	AW	GCAB-0950FCZ2	Multi left front exterior		
001		007	D	AX	GCAB-0951FCZ2	Multi left rear exterior		
001		008	D	BG	GCAB-0952FCZ3	Multi rear exterior		
001		009	D	AQ	PCOVP1586FCZ2	AC inlet cover		
001		012	C	AC	XEBSD30P10000	Screw	(3×10)	
002						2.Exteriors[B83LT,B83TT]		
002		001	D	BL	GCAB-0953FCZ2	Top side exterior		
002		005	D	BN	GCAB-0955FCZ2	Desk right exterior		
002		006	D	AR	PCOVP1587FCZ3	Adjuster cover		
002		007	D	BC	GCAB-0975FCZ3	Desk front bottom exterior		
002		008	D	AV	GCAB-0954FCZ1	Tandem left front exterior		
002		009	D	AX	GCAB-0958FCZ2	Desk left bottom exterior		
002		010	D	AY	GCAB-0957FCZ1	Desk left rear exterior		
002		011	D	AY	GCAB-0974FCZ1	Desk side rear exterior		
002		012	D	BR	GCAB-0956FCZ5	Desk rear exterior		
002		013	D	AQ	PCOVP1586FCZ2	AC inlet cover		
003						3.Left door[B83LT,B83TT]		
003		001	D	BM	GDOR-0033FCZ2	Desk left door		
003		002	C	AC	MSPRC2915FCZ2	Left door follower spring		
003		003	C	AX	NSFTZ2635FCZ2	Desk left door lock shaft		
003		004	C	AE	PTME-0284FCZ2	Desk left door lock pawl		
003		006	C	AK	MLEVP0818FCZ1	Desk left door cancellation lever		
003		007	C	AT	NSFTZ2636FCZ2	Left door follower shaft		
003		008	C	AC	NROLP0896FCZ2	Transfer follower roller		
003		011	C	AA	XWHS740-08120	Washer		
003		012	C	AC	MSPRC2916FCZ2	Desk left door lock spring		
003		013	C	BH	PGIDM1944FCZ1	Desk left door PG		
004		000				4.Frame[B83MP]		
004		002	C	AH	LPLTM5810FCZ2	Multi rear exterior fixing plate R		
004		004	C	AF	LPLTP5808FCZ2	Multi cassette lock plate		
004		007	D	AV	PCOVP1577FCZ1	Multi remainder detect cover		
004		008	B	AG	VHPGP1AQ73A-18	Photo sensor	(GP1AQ73A)	
004		010	C	AF	LPLTM5809FCZ2	Multi rear exterior fixing plate L		
004		011	C	BA	DHAI-3271FCPZ	MPT paper feed interface harness N		
004		012	C	AG	LX-BZ0927FCPZ	Body position decide step screw		
004		013	C	AF	LBSHC0350FCZ2	Edge holder	(EH-18)	
004		015	C	BG	LSTYM0270FCZ2	Top side stay		
004		016	C	BG	LRALM0190FCZ1	Cassette rail R		
004		018	C	AE	PCLR-0519FCZ2	collar		
004		019	C	AX	LHLDZ1463FCZ2	Vertical detect holder		
004		020	C	AG	LHLDZ1464FCZ2	Vertical detect spring holder		
004		021	C	AC	QCNCM0542FCZ2	Connector	(6pin)	
004		025	C	AD	LSTYM0271FCZ2	Paper feed support plate F		
004		028	C	AD	MSPRT2893FCZ2	Width detect spring		
004		029	D	AX	LDAIU0631FCZ2	Width detect fixing base		
004		030	D	AZ	PCASZ0293FCZ2	Width detect case bottom		
004		031	C	AG	DHAI-3267FCPZ	MPT width detect slide resistance harness		
004		032	C	BC	0EUUNT0881P61	MPT variable resistor		
004		033	C	AF	MARMP0267FCZ2	Width detect arm		
004		035	C	BG	LRALM0189FCZ4	Cassette rail L		
004		037	C	AF	LPLTM5961FCZ2	Multi rear frame support plate		
004		038	B	AC	QSW-M0131FCZ2	Key switch		
004		039	C	AC	MSPRC2894FCZ2	Vertical detect SW spring		
004		040	E	BC	CPWBF1483FC31	MPT vertical detect PWB		
004		041	D	AP	PCOVP1576FCZ2	Multi paper feed drive cover		
004		043	D	BN	CFRM-1041FC37	Multi-drive unit		
005						5.Frame 1[B83TT]		
005		001	C	BG	LRALM0189FCZ3	Cassette rail L		
005		003	C	BC	JHNDG0151FCWZ	Unit plate knob gray		
005		004	C	AD	LPLTM5958FCZ2	U turn PG fulcrum plate 1		
005		006	C	AG	LHLDZ1466FCZ1	Desk left door fulcrum		
005		007	C	AD	LPLTM5959FCZ2	U turn PG fulcrum plate 2		
005		008	C	BG	LRALM0190FCZ1	Cassette rail R		
005		009	C	AE	PCLR-0519FCZ2	collar		
005		015	C	BG	LSTYM0270FCZ2	Top side stay		
005		016	C	AD	LSTYM0271FCZ2	Paper feed support plate F		
005		020	C	AR	PGUMS0294FCZ1	Adjuster rubber plate		
005		021	C	AP	LPLTP5831FCZ1	Adjuster wheel	(φ80)	
005		023	C	AL	NSFTZ2627FCZ2	Adjuster shaft		
005		024	D	AS	GLEGP0076FCP1	Caster		
005		026	C	AN	LBRC-0065FCZ2	Left adjuster fixing bracket		
005		027	B	BN	CSTYM0287FC01	Left adjuster stay Assy		
005		029	D	AW	PCOVP1588FCZ1	Left adjuster cover		
005		032	C	AP	LPLTP5831FCZ1	Adjuster wheel	(φ80)	
005		033	C	AL	NSFTZ2627FCZ2	Adjuster shaft		
005		034	C	BG	LRALM0189FCZ4	Cassette rail L		
005		035	C	AD	MSPRT2893FCZ2	Width detect spring		
005		036	D	AX	LDAIU0631FCZ2	Width detect fixing base		
005		037	D	AZ	PCASZ0293FCZ2	Width detect case bottom		
005		038	C	AF	MARMP0267FCZ2	Width detect arm		
005		040	C	AG	DHAI-3267FCPZ	MPT width detect slide resistance harness		
005		041	C	BC	0EUUNT0881P61	MPT variable resistor		

BLK	UNIT	ITEM	RANK	PRICE	PARTS CODE	DESCRIPTION	SPEC	LOCATION
006						6.Frame 2[B83TT]		
006		001	C	AU	DHAI-3220FCPZ	TAN power harness		
006		002	C	AA	LBNDJ0013FCZ1	Wire band		
006		004	C	AN	NBLTH0343FCZZ	Belt	(S3M360W6)	
006		005	C	AV	DHAI-3270FCPZ	TAN drive interface harness		
006		006	E	BC	CPWBF1483FC31	MPT vertical detect PWB		
006		007	B	AC	QSW-M0131FCZZ	Key switch		
006		008	C	AC	MSPRC2894FCZZ	Vertical detect SW spring		
006		009	C	AC	QCNCM0542FCZZ	Connector	(6pin)	
006		010	C	AG	LHLDZ1464FCZZ	Vertical detect spring holder		
006		011	C	AX	LHLDZ1463FCZZ	Vertical detect holder		
006		013	C	AS	DHAI-3225FCPZ	3T size harness	(3T)	
006		015	C	AG	LX-BZ0927FCPZ	Body position decide step screw		
006		016	C	AF	LBSHC0350FCZZ	Edge holder	(EH-18)	
006		018	C	AF	LPLTP5808FCZZ	Multi cassette lock plate		
006		020	D	AV	PCOVP1577FCZ1	Multi remainder detect cover		
006		021	D	AP	PCOVP1576FCZZ	Multi paper feed drive cover		
006		023	B	AG	VHPGP1AQ73A-18	Photo sensor	(GP1AQ73A)	
006		024	C	BA	DHAI-3241FCPZ	Sensor harness	(3T)	
006		025	C	AX	DHAI-3263FCPZ	Paper feed interface harness R	(3T)	
006		026	C	AC	LSUPP0119FCZZ	Board support	(LCBS-10-01)	
006		027	C	AG	DHAI-3265FCPZ	TAN clutch interface harness B		
006		028	C	AG	DHAI-3266FCPZ	TAN clutch interface harness N		
006		029	E	BQ	CPWBN1477FC47	3T Control PWB		
006		030	C	BB	PCLC-0310FCPZ	5K clutch	(W)	
006		031	C	BB	PCLC-0311FCPZ	5K clutch	(B)	
006		032	C	AN	DHAI-3224FCPZ	Motor drive harness	(3T)	
006		033	C	AU	DHAI-3264FCPZ	Paper feed interface harness L	(3T)	
006		034	D	BP	CFRM-1041FC38	Multi-desk drive unit		
006		035	D	BQ	CFRM-1046FC32	Multi-stage drive unit		
007						7.Frame 1[B83LT]		
007		001	C	AD	LPLTM5958FCZZ	U turn PG fulcrum plate 1		
007		004	C	BC	JHNDG0151FCWZ	Unit plate knob gray		
007		005	C	BG	LRALM0190FCZ1	Cassette rail R		
007		006	C	AE	PCLR-0519FCZZ	collar		
007		008	C	AT	LPLTM5832FCZZ	Tandem middle plate		
007		010	C	BG	LSTYM0270FCZZ	Top side stay		
007		015	C	BL	LRALM0191FCP1	Slide rail		
007		016	C	AG	PGIDM1917FCZZ	Paper feed UN reverse guide		
007		018	C	AG	LHLDZ1466FCZ1	Desk left door fulcrum		
007		019	C	AA	XHBS740P08000	Screw	(4x8)	
007		023	C	AL	NSFTZ2627FCZZ	Adjuster shaft		
007		024	C	AP	LPLTP5831FCZ1	Adjuster wheel	(φ80)	
007		026	C	AR	PGUMS0294FCZ1	Adjuster rubber plate		
007		027	D	AS	GLEGP0076FCP1	Caster		
007		028	C	AN	LBRC-0065FCZZ	Left adjuster fixing bracket		
007		029	D	AW	PCOVP1588FCZ1	Left adjuster cover		
007		030	B	BN	CSTYM0287FC01	Left adjuster stay Assy		
007		032	C	BG	LRALM0189FCZ4	Cassette rail L		
007		033	C	AD	MSPRT2893FCZZ	Width detect spring		
007		034	D	AX	LDAIU0631FCZZ	Width detect fixing base		
007		035	D	AZ	PCASZ0293FCZZ	Width detect case bottom		
007		036	C	BC	0EUUNT0881P61	MPT variable resistor		
007		037	C	AF	MARMP0267FCZ2	Width detect arm		
007		039	C	AG	DHAI-3267FCPZ	MPT width detect slide resistance harness		
007		040	C	BE	LPLTM5833FCZZ	Tandem left side plate		
007		041	C	AL	NSFTZ2627FCZZ	Adjuster shaft		
007		042	C	AP	LPLTP5831FCZ1	Adjuster wheel	(φ80)	
007		046	C	AD	LSTYM0271FCZZ	Paper feed support plate F		
008						8.Frame 2[B83LT]		
008		001	C	AU	DHAI-3220FCPZ	TAN power harness		
008		002	C	AQ	DHAI-3222FCPZ	TAN lower main harness L		
008		003	C	BB	PCLC-0310FCPZ	5K clutch	(W)	
008		004	C	BB	PCLC-0311FCPZ	5K clutch	(B)	
008		006	C	AV	DHAI-3270FCPZ	TAN drive interface harness		
008		007	E	BC	CPWBF1483FC31	MPT vertical detect PWB		
008		008	B	AC	QSW-M0131FCZZ	Key switch		
008		009	C	AG	LHLDZ1464FCZZ	Vertical detect spring holder		
008		010	C	AC	QCNCM0542FCZZ	Connector	(6pin)	
008		011	C	AX	LHLDZ1463FCZZ	Vertical detect holder		
008		013	C	AF	LPLTP5808FCZZ	Multi cassette lock plate		
008		014	B	AG	VHPGP1AQ73A-18	Photo sensor	(GP1AQ73A)	
008		015	C	AD	MSPRD2987FCZZ	T cassette earth spring		
008		016	C	AM	LPLTP5834FCZ2	Tandem sensor fixing plate		
008		018	E	BD	CPWBF1484FC33	TAN sensor PWB		
008		019	C	AC	MSPRC2964FCZZ	Tandem sensor fixing plate spring		
008		020	C	AA	XWHS740-08120	Washer		
008		022	C	AL	MLEVP0816FCZZ	T remainder detect actuator		
008		023	C	AC	MSPRT2908FCZZ	T remainder detect spring		
008		024	D	AV	PCOVP1577FCZ1	Multi remainder detect cover		
008		026	C	AT	0EUHP543321P4	Photo sensor	(0J-543321-604)	
008		027	C	AG	LHLDW1491FCZZ	Wire saddle	(MWSEB-2-01A-RT)	
008		028	D	AP	PCOVP1576FCZZ	Multi paper feed drive cover		
008		029	C	AA	LBNDJ0013FCZ1	Wire band		
008		030	C	AH	LPLTM5969FCZZ	Cassete sensor fixing plate		

BLK	UNIT	ITEM	RANK	PRICE	PARTS CODE	DESCRIPTION	SPEC	LOCATION
008		032	C	AP	LPLTM5830FCZZ	Vertical transfer fixing plate R		
008		033	C	AF	LPLTM5842FCZZ	Lift up unit fixing plate		
008		034	C	AH	NCPL-0052FCZ1	Lift coupling		
008		035	C	AC	MSPRC2907FCZ1	Lift up spring		
008		036	D	AX	CCOVP1607FC438	Lift motor A		
008		038	C	AX	DHAI-3261FCPZ	TAN paper feed interface harness R		
008		040	C	AF	LBSHC0350FCZZ	Edge holder	(EH-18)	
008		042	C	AC	NROLP0896FCZZ	Transfer follower roller		
008		043	C	AE	NSFTZ2631FCP1	T cassette lock shaft		
008		044	C	AG	LX-BZ0927FCPZ	Body position decide step screw		
008		045	C	AB	LSUPP0083FCZZ	Supporter	(LCBS-3)	
008		046	C	AR	DHAI-3223FCPZ	TAN Main harness R		
008		047	C	AY	DHAI-3262FCPZ	TAN paper feed interface harness L		
008		048	C	AG	DHAI-3265FCPZ	TAN clutch interface harness B		
008		049	E	BP	CPWBN1477FC48	TAN control PWB		
008		050	C	AA	LBNDJ0013FCZ1	Wire band		
008		051	C	AG	DHAI-3266FCPZ	TAN clutch interface harness N		
008		057	C	AU	DHAI-3221FCPZ	TAN upper main harness L		
008		058	C	AB	LX-NZ0096FCZZ	Nut	(M3)	
008		060	D	BG	CFRM-1045FC31	Tandem drive unit		
008		061	D	BP	CFRM-1041FC38	Tandem drive unit		
009						9.Tandem cassette[B83LT]		
009		001	C	AH	LPLTP5837FCZZ	Tandem regulation plate L		
009		002	C	AZ	QEARP0135FCZ1	Tandem regulation earth plate L		
009		003	C	AK	LPLTP5838FCZZ	Tandem regulation plate R		
009		004	C	AC	0EUHLD0215C//	Clamp	(N-8)	
009		005	C	AZ	NSFTZ2633FCZ4	Tandem paper feed roller shaft		
009		006	C	AK	LPLTM5841FCZZ	Tandem paper feed PG upper support plate		
009		007	C	AD	MSPRC2984FCZ1	Tandem paper feed PG earth SP		
009		008	C	BD	PGIDM1921FCZ5	Tandem paper feed PG upper		
009		010	C	AN	NROLR1312FCZZ	Pickup roller		
009		011	C	AN	NROLR1311FCZZ	Paper feed separate roller		
009		012	C	AH	NCPL-0049FCZZ	Oneway coupling		
009		013	C	AH	NBLTH0338FCZZ	Belt	(B55MXLW4.8)	
009		014	C	AC	NPLYZ0365FCZZ	Pick up roller pulley		
009		015	C	AH	NPLYZ0373FCZZ	Paper feed roller pulley		
009		016	C	AD	NBRGC0651FCZZ	Bearing		
009		018	C	AU	NSFTZ2634FCZZ	Tandem pickup roller shaft		
009		019	C	AD	MLEVP0817FCZ2	Tandem PE actuator		
009		020	D	AE	TLABZ4426FCZ1	Tandem paper set label		
009		021	D	AV	LDAIU0633FCZ2	Paper feed base		
009		022	C	AC	PSHEZ3138FCZZ	Paper fixing tray sheet		
009		023	C	AF	PGIDM1943FCZZ	Paper feed base guide		
009		024	C	AQ	PWIR-0195FCZ2	Wire RA		
009		025	C	AR	PWIR-0196FCZ1	Wire RB		
009		026	C	AW	LPLTP5836FCZ2	Tandem rear edge plate R		
009		028	C	AW	LPLTP5835FCZ2	Tandem rear edge plate F		
009		030	C	AA	XWHS740-08120	Washer		
009		031	C	AP	LSTYM0275FCZ2	Cassette right support stay		
009		034	C	AF	LSTPP0358FCZZ	Wire fixing stopper		
009		035	C	AD	NPLYZ0400FCZZ	Wire pulley		
009		037	C	AE	LHLDZ1469FCZZ	Upper transer fulcrum holder		
009		041	D	AP	PCOVP1609FCZ1	Tandem knob cover		
009		042	D	BM	GCAB-0959FCZ2	Tandem front exterior		
009		044	C	AP	NPLYZ0379FCZZ	Pulley		
009		045	C	AD	LPINS0263FCZZ	T type pin		
009		046	D	AK	PCOVP1581FCZ1	Pulley cover		
009		047	C	AE	NBRGP0668FCZZ	Stopper bearing		
009		048	C	AD	NBRGC0080FCZ1	Bearing		
009		049	B	BG	CSTYM0276FC01	Cassette left support stay Assy		
009		050	C	AN	NROLR1311FCZZ	Paper feed separate roller		
009		051	C	AV	PCLC-0315FCZZ	Torque limiter tandem		
009		052	C	AA	LPINS1031HCZZ	Pin		
009		054	C	AE	MARMP0272FCZZ	Tandem separate roller arm		
009		055	C	AC	MSPRC2911FCZ2	Tandem pressure spring		
009		056	C	BF	PGIDM1920FCZ7	Tandem paper feed lower PG L		
009		058	C	AY	NSFTZ2630FCZZ	Shaft		
009		059	C	AB	LPINS0096FCZZ	Pin	(φ3-12)	
009		060	C	AK	MARMP0271FCZ1	Spring lock arm		
009		061	C	AK	MSPRD2910FCZ2	Tray lift support spring		
009		062	C	AD	PSHEP4951FCZZ	Tandem separate front sheet 2		
009		063	C	AG	MSPRD2909FCZZ	T cassette lock arm spring		
009		064	C	AK	MARMP0270FCZZ	T cassette lock arm		
009		065	C	AE	NSFTZ2631FCP1	T cassette lock shaft		
009		066	C	BG	PGIDM1919FCZ7	Tandem paper feed lower PG R		
009		068	B	AH	CPLTM5839FC02	Of center adjust plate Assy		
009		069	C	AC	MSPRC3026FCZZ	Tandem pressure spring 2		
009		070	C	AD	PSHEZ4867FCZ1	Tandem tray rear sheet		
009		071	C	AB	PSHEP4895FCZ1	Wire protect sheet		
009		072	C	AA	XPSSJ40-25000	SP pin	(4×25)	
009		076	C	AR	PWIR-0194FCZ1	Wire LB		
009		077	C	AQ	PWIR-0193FCZ2	Wire LA		
009		079	C	AN	LPLTM5967FCZZ	Paper feed lower PGR support plate		
009		080	C	AV	NSFTZ2632FCZ1	Tandem separat roller shaft		
010						10.Tandem transfer[B83LT]		

BLK	UNIT	ITEM	RANK	PRICE	PARTS CODE	DESCRIPTION	SPEC	LOCATION
010		001	C	AN	NBLTH0369FCZZ	Belt	(S2M360W8)	
010		002	C	AB	NBRGM0501FCZZ	Bearing		
010		003	C	AF	NPLYZ0378FCZZ	Pulley	(22P S2M)	
010		004	C	AB	LPINS0165FCZZ	Pin	(2-8)	
010		006	C	AL	MLEVP0820FCZ1	Tandem transfer actuator		
010		007	C	AC	MSPRD2921FCZ1	Tandem transfer actuator spring		
010		008	C	AQ	NROLR1339FCZ1	Tandem transfer roller		
010		009	C	AQ	NROLR1340FCZ1	Tandem vertical transfer roller		
010		010	C	BQ	PGIDM1922FCZ1	Tandem transfer paper guide upper		
010		011	C	AA	LPINS0133FCZZ	Pin	(2x10)	
010		012	C	AG	NGERH1472FCZZ	T transfer gear	(29T)	
010		013	C	AC	MSPRD2919FCZZ	Tandem vertical transfer actuator SP		
010		014	C	AL	MLEVP0819FCZ1	Tandem vertical transfer actuator		
010		015	C	AA	XHBS740P10000	Screw	(4x10)	
010		016	C	AD	LSTPP0355FCZZ	Desk left door stopper		
010		017	C	AA	XEBS740P12000	Screw	(4x12)	
010		019	C	AD	MSPRD2917FCZ1	Tandem transfer follower PG earth SP		
010		020	C	AU	NSFTZ2637FCZZ	Tandem transfer follower shaft		
010		021	C	AC	NROLP0896FCZZ	Transfer follower roller		
010		022	C	AC	MSPRC2918FCZZ	Tandem transfer follower spring		
010		023	C	BL	PGIDM1923FCZ1	Tandem transfer paper guide lower		
011						11.Multi paper feed		
011		001	C	AQ	LPLTM5825FCZZ	Paper feed PG upper support plate		
011		004	C	AU	NROLR1336FCZZ	Transfer roller 2		
011		005	C	AB	NBRGM0096FCZ1	Bearing		
011		008	C	AF	LPLTP5827FCZZ	Multi sensor fixing plate		
011		009	B	AG	VHGP1AQ73A-18	Photo sensor	(GP1AQ73A)	
011		010	C	AW	DHAI-3250FCPZ	MPT paper feed harness		
011		011	C	AB	MSPRC2965FCZZ	Pickup roller earth spring		
011		012	C	AH	MLEVP0813FCZZ	Multi PE actuator		
011		013	C	AW	PGIDM1912FCZ1	Paper feed paper guide F		
011		014	C	AA	XHBS740P10000	Screw	(4x10)	
011		015	C	AG	MLEVP0812FCZ1	Multi transfer actuator		
011		016	C	AC	MSPRD2900FCZZ	Multi transfer actuator spring		
011		017	C	BF	PGIDM1911FCZZ	Multi paper feed paper guide upper		
011		018	C	AK	MLEVP0814FCZ1	Pick up move lever		
011		019	C	AC	MSPRD2903FCZZ	Pick up move lever spring		
011		020	C	AH	LPLTM5824FCZZ	Paper feed roller fixing plate		
011		021	C	AB	LPINS0165FCZZ	Pin	(2-8)	
011		022	C	AK	NBLTH0337FCZZ	Belt	(S2M102W6)	
011		023	C	AA	LPINS0133FCZZ	Pin	(2x10)	
011		024	C	AG	NGERH1406FCZZ	Gear	(18/22P)	
011		025	C	AB	NGERH0863FCZZ	Pick up roller gear	(18T)	
011		026	C	AE	PCLR-0470FCZZ	Drive joint collar		
011		028	C	AA	XRESP70-08000	E type ring	(E7)	
011		029	C	AC	NROLP1364FCZZ	Transfer roller M		
011		030	C	AX	NROLR1335FCZ1	Transfer roller 1		
011		031	C	AC	MSPRT2902FCZ1	Multi pick pressure spring		
011		032	C	AP	NSFTZ2620FCZZ	Pickup roller shaft		
011		033	C	AC	NPLYZ0365FCZZ	Pick up roller pulley		
011		034	C	AH	NBLTH0338FCZZ	Belt	(B55MXLW4.8)	
011		035	C	AN	NROLR1312FCZZ	Pickup roller		
011		036	C	AN	NROLR1311FCZZ	Paper feed separate roller		
011		037	C	AH	NCPL-0049FCZZ	Oneway coupling		
011		038	C	AN	NSFTZ2621FCZZ	Multi transfer follower shaft 2		
011		039	C	AY	NSFTZ2619FCZZ	Multi paper feed roller shaft		
011		040	C	BA	PGIDM1914FCZ1	Multi paper feed lower PG		
011		041	C	AT	NSFTZ2623FCZZ	Transfer follower shaft		
011		042	C	AV	PCLC-0305FCZZ	Torque limiter multi		
011		043	C	AA	LPINS0089FCZZ	Spring pin		
011		044	C	AA	LX-WZ2011SCZZ	Washer		
011		045	C	AC	MSPRC2905FCZ1	Transfer follower spring 1		
011		046	C	AF	MLEVP0834FCZ1	Multi separate lever		
011		047	C	AC	MSPRC2904FCZZ	Multi pressure spring		
011		048	C	AE	MARMP0269FCZZ	Multi separate roller arm		
011		049	C	AZ	PGIDM1915FCZ1	Multi U turn paper guide		
011		050	C	AM	LPLTM5826FCZZ	Paper feed under PG support plate		
011		051	D	BL	GDOR-0032FCZ1	Multi left door		
011		052	C	AF	PTME-0285FCZZ	Multi left door lock pawl		
011		053	C	AE	MSPRC2906FCZZ	Multi left door lock spring F		
011		055	C	AT	NCPL-0049FCBZ	Multi separate coupling		
011		056	C	AX	NSFTZ2622FCZZ	Multi separation roller shaft		
011		057	C	AC	NROLP0896FCZZ	Transfer follower roller		
011		058	C	AV	PGIDM1913FCZZ	Multi paper exit paper guide		
011		060	C	AC	MSPRT2901FCZ1	Multi transfer follower spring 2		
011		061	C	AP	LHLDZ1465FCZZ	Pickup roller holder		
011		062	C	AF	NPLYZ0378FCZZ	Pulley	(22P S2M)	
011		063	C	AD	MSPRT2973FCZZ	Multi separate pressure spring		
011		064	C	AH	NPLYZ0373FCZZ	Paper feed roller pulley		
011		066	C	AD	LPLTM5958FCZZ	U turn PG fulcrum plate 1		
011		067	C	AA	XHBS740P08000	Screw	(4x8)	
012		001	C	AQ	LPLTM5825FCZZ	Paper feed PG upper support plate		
012		004	C	AU	NROLR1336FCZZ	Transfer roller 2		
012		005	C	AB	NBRGM0096FCZ1	Bearing		
012		008	C	AF	LPLTP5827FCZZ	Multi sensor fixing plate		

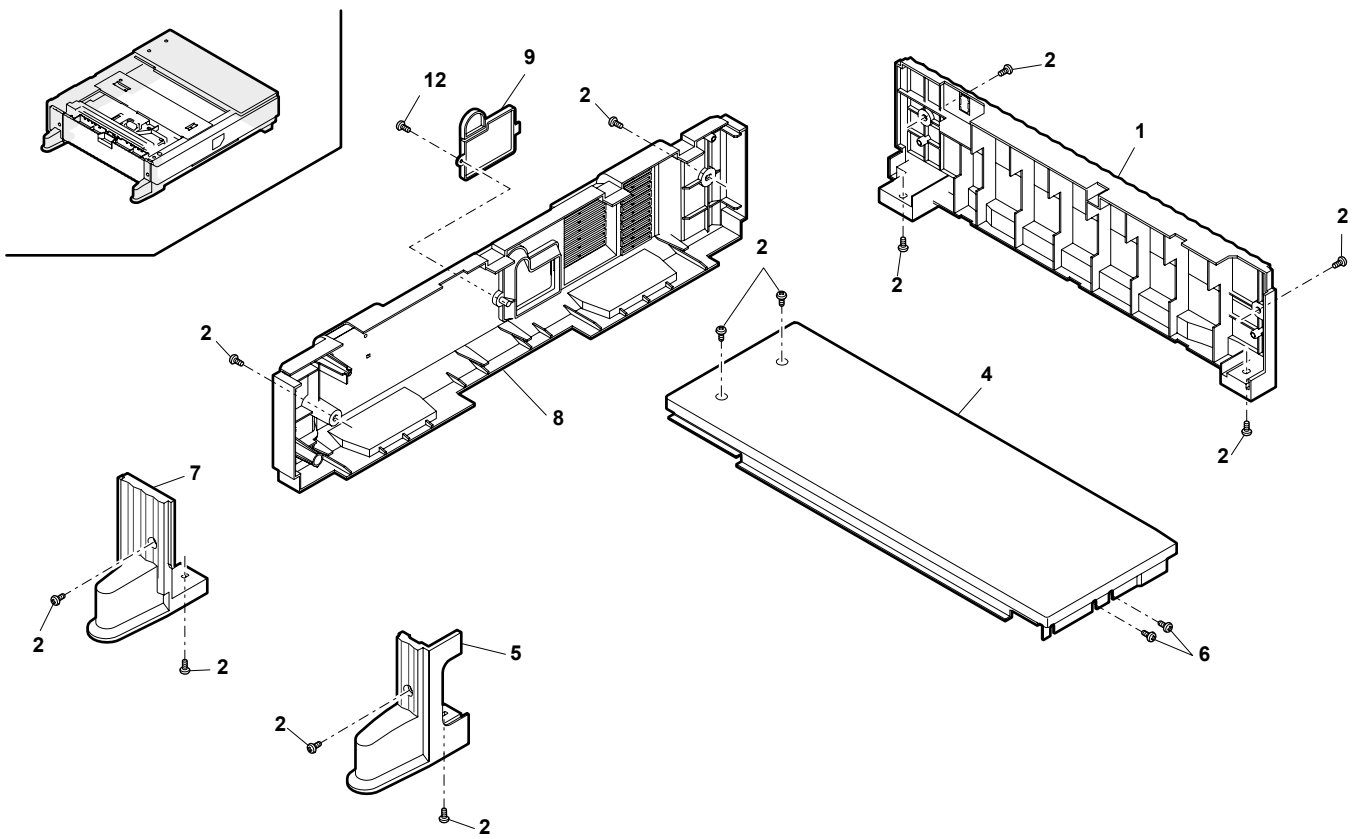
BLK	UNIT	ITEM	RANK	PRICE	PARTS CODE	DESCRIPTION	SPEC	LOCATION
012		009	B	AG	VHPGP1A073A-18	Photo sensor	(GP1AQ73A)	
012		010	C	AV	DHAI-3242FCPZ	3T paper feed harness	(3T)	
012		011	C	AW	PGIDM1912FCZ1	Paper feed paper guide F		
012		012	C	BF	PGIDM1924FCZ2	Paper feed PG upper		
012		013	C	AH	MLEVP0813FCZ2	Multi PE actuator		
012		014	C	AK	MLEVP0814FCZ1	Pick up move lever		
012		015	C	AC	MSPRD2903FCZ2	Pick up move lever spring		
012		016	C	AG	MLEVP0812FCZ1	Multi transfer actuator		
012		018	C	AG	NROLP1351FCZ2	Follower roller		
012		019	C	AA	XHBS740P10000	Screw	(4×10)	
012		020	C	AC	MSPRD2900FCZ2	Multi transfer actuator spring		
012		021	C	AP	NSFTZ2620FCZ2	Pickup roller shaft		
012		022	C	AC	NPLYZ0365FCZ2	Pick up roller pulley		
012		023	C	AH	NBLTH0338FCZ2	Belt	(B55MXLW4.8)	
012		024	C	AN	NROLR1312FCZ2	Pickup roller		
012		025	C	AN	NROLR1311FCZ2	Paper feed separate roller		
012		026	C	AH	NCPL-0049FCZ2	Oneway coupling		
012		027	C	AH	NPLYZ0373FCZ2	Paper feed roller pulley		
012		028	C	AY	NSFTZ2619FCZ2	Multi paper feed roller shaft		
012		029	C	AX	NSFTZ2622FCZ2	Multi separation roller shaft		
012		030	C	BA	PGIDM1914FCZ1	Multi paper feed lower PG		
012		031	C	AF	PGIDM1957FCZ2	Center PG		
012		032	C	AF	MLEVP0834FCZ1	Multi separate lever		
012		033	C	AM	LPLTM5826FCZ2	Paper feed under PG support plate		
012		034	C	AD	MSPRT2973FCZ2	Multi separate pressure spring		
012		035	C	AD	LPLTM5958FCZ2	U turn PG fulcrum plate 1		
012		036	C	AE	MARMP0269FCZ2	Multi separate roller arm		
012		037	C	AC	MSPRC2904FCZ2	Multi pressure spring		
012		038	C	AT	NCPL-0049FCBZ	Multi separate coupling		
012		039	C	AP	LHLDZ1465FCZ2	Pickup roller holder		
012		041	C	AC	MSPRT2902FCZ1	Multi pick pressure spring		
012		042	C	AD	LSTPP0355FCZ2	Desk left door stopper		
012		044	B	AP	CPLTM5843FC01	Paper feed roller fixing plate Assy		
012		045	C	AB	LPINS0165FCZ2	Pin	(2-8)	
012		046	C	AK	NBLTH0337FCZ2	Belt	(S2M102W6)	
012		047	C	AG	NGERH1406FCZ2	Gear	(18/22P)	
012		048	C	AB	NGERH0863FCZ2	Pick up roller gear	(18T)	
012		049	C	AA	LPINS0133FCZ2	Pin	(2×10)	
012		050	C	AE	PCLR-0470FCZ2	Drive joint collar		
012		051	C	AB	MSPRC2965FCZ2	Pickup roller earth spring		
012		052	C	AF	NPLYZ0378FCZ2	Pulley	(22P S2M)	
012		053	C	AA	LPINS0089FCZ2	Spring pin		
012		054	C	AA	LX-WZ2011SCZ2	Washer		
012		055	C	AV	PCLC-0305FCZ2	Torque limiter multi		
012		057	C	AD	LPLTM5959FCZ2	U turn PG fulcrum plate 2		
012		058	C	AA	XHBS740P08000	Screw	(4×8)	
012		059	C	AZ	PGIDM1915FCZ1	Multi U-turn paper guide		
013						13.Multi drive[B83MP]		
013		001	C	AZ	DHAI-3218FCPZ	MPT body interface harness		
013		002	D	AU	CFRM-1041FC04	Multi drive frame 1 Assy		
013		003	B	BP	RMOTP0919FCZ2	Transfer motor C		
013		004	C	AR	DHAI-3269FCPZ	MPT drive harness		
013		006	C	AN	NGERH1404FCZ1	Gear	(28/84T)	
013		008	D	BC	CFRM-1042FC02	Multi drive frame 2 Assy		
013		010	C	AA	LBNDJ0013FCZ1	Wire band		
013		011	C	AB	NGERH0863FCZ2	Pick up roller gear	(18T)	
013		012	C	AB	LPINS0134FCZ2	Pin	(φ2×12)	
013		014	C	AF	NGERH1471FCZ2	M transfer gear	(22T)	
013		015	C	AC	NBRGC0504FCZ2	PF bearing	(F8×12×5 16X)	
013		017	C	AA	LHLDW1009ACZ2	Mini clamp	(UAMS-05S-2)	
013		019	C	AE	PCLR-0470FCZ2	Drive joint collar		
013		020	C	BB	PCLC-0310FCPZ	5K clutch	(W)	
013		021	C	AG	NGERH1405FCZ1	Gear	(43T)	
013		022	C	AT	NSFTZ2624FCZ2	Paper feed clutch shaft		
013		023	C	AD	NGERH1238FCZ2	Waste toner gear	(24T)	
013		024	C	AF	NGERH1245FCZ2	Transport drive gear	(28T)	
013		025	C	AA	XRESP60-08000	E type ring	(E6)	
013		026	C	BB	PCLC-0311FCPZ	5K clutch	(B)	
013		027	C	AY	NSFTZ2625FCZ1	Transfer clutch shaft		
013		028	C	AF	DHAI-3216FCPZ	MPT lift up harness		
013		029	E	AZ	CPWBN1476FC34	MPT PWB		
013		030	C	AB	LSUPP0083FCZ2	Supporter	(LCBS-3)	
013		031	C	AH	NCPL-0052FCZ1	Lift coupling		
013		032	C	AC	MSPRC2907FCZ1	Lift up spring		
013		033	D	AX	CCOVP1607FC438	Lift motor A		
013		034	C	AK	XHBS730P35000	Screw	(3×35)	
014						14.Multi drive[B83LT,B83TT]		
014		001	D	AV	CFRM-1041FC05	Multi Tandem drive frame 1 Assy		
014		002	B	BP	RMOTP0944FCPZ	Transfer motor C		
014		004	C	AN	NGERH1404FCZ1	Gear	(28/84T)	
014		005	C	AG	NGERH1405FCZ1	Gear	(43T)	
014		009	D	BC	CFRM-1042FC02	Multi drive frame 2 Assy		
014		010	C	AA	LX-BZ4008SCPM	Screw	(4×8)	
014		011	C	AE	PCLR-0470FCZ2	Drive joint collar		
014		012	C	AB	NGERH0863FCZ2	Pick up roller gear	(18T)	

BLK	UNIT	ITEM	RANK	PRICE	PARTS CODE	DESCRIPTION	SPEC	LOCATION
014		013	C	AB	LPINS0134FCZZ	Pin	(φ2×12)	
014		014	C	AF	NGERH1471FCZZ	M transfer gear	(22T)	
014		015	C	AC	NBRGC0504FCZZ	PF bearing	(F8×12×5 16X)	
014		017	C	AA	LBNDJ0013FCZ1	Wire band		
014		018	C	BB	PCLC-0310FCPZ	5K clutch	(W)	
014		019	C	AT	NSFTZ2624FCZZ	Paper feed clutch shaft		
014		020	C	AF	NGERH1245FCZZ	Transport drive gear	(28T)	
014		021	C	BB	PCLC-0311FCPZ	5K clutch	(B)	
014		022	C	AX	NSFTZ2640FCZ1	Transfer clutch shaft L		
014		023	C	AB	LPINS0096FCZZ	Pin	(φ3-12)	
014		024	C	AE	NPLYZ0380FCZZ	Pulley	(22P S3M)	
014		025	C	AB	PSHEP4861FCZZ	Washer	(22P)	
014		026	C	AV	DHAI-3270FCPZ	TAN drive interface harness		
014		027	C	AH	NCPL-0052FCZ1	Lift coupling		
014		028	C	AC	MSPRC2907FCZ1	Lift up spring		
014		029	D	AX	CCOVP1607FC438	Lift motor A		
014		031	C	AD	NGERH1238FCZZ	Waste toner gear	(24T)	
014		032	C	AA	LHLDW1009ACZZ	Mini clamp	(UAMS-05S-2)	
014		033	C	AA	LSUPP1001ACZZ	PWB support		
015						15. Drive section[B83TT]		
015		001	C	AF	NGERH1245FCZZ	Transport drive gear	(28T)	
015		003	C	AG	NGERH1405FCZ1	Gear	(43T)	
015		004	C	AE	NPLYZ0380FCZZ	Pulley	(22P S3M)	
015		005	C	AN	NBLTH0343FCZZ	Belt	(S3M360W6)	
015		006	C	AB	PSHEP4861FCZZ	Washer	(22P)	
015		007	C	BB	PCLC-0310FCPZ	5K clutch	(W)	
015		009	C	AC	NBRGC0504FCZZ	PF bearing	(F8×12×5 16X)	
015		011	C	BB	PCLC-0311FCPZ	5K clutch	(B)	
015		013	C	AE	PCLR-0470FCZZ	Drive joint collar		
015		014	C	AB	NGERH0863FCZZ	Pick up roller gear	(18T)	
015		015	C	AF	NGERH1471FCZZ	M transfer gear	(22T)	
015		016	C	AB	LPINS0134FCZZ	Pin	(φ2×12)	
015		018	C	AX	NSFTZ2642FCZ1	Transfer shaft 2		
015		019	C	AB	LPINS0096FCZZ	Pin	(φ3-12)	
015		020	C	AN	NBLTH0344FCZZ	Belt	(S3M360W6)	
015		021	C	AY	NSFTZ2641FCZ1	Transfer shaft 1		
015		022	D	AV	CFRM-1046FC01	Drive frame 1 Assy		
015		023	C	AG	PCLR-0466FCZZ	Idler roller		
015		024	C	AC	LHLDW1489FCZZ	Micro wire saddle	(MWSEA2-3-01)	
015		025	C	AT	NSFTZ2624FCZZ	Paper feed clutch shaft		
015		026	D	AX	CCOVP1607FC438	Lift motor A		
015		027	C	AC	MSPRC2907FCZ1	Lift up spring		
015		028	C	AH	NCPL-0052FCZ1	Lift coupling		
015		030	C	AA	LBNDJ0043FCZ1	Band	(SG-130)	
015		031	D	BG	CFRM-1047FC02	Drive frame 2 Assy		
015		032	C	AA	LHLDW1009ACZZ	Mini clamp	(UAMS-05S-2)	
016						16. Tandem drive section[B83LT]		
016		001	C	AU	DHAI-3220FCPZ	TAN power harness		
016		002	C	AC	LBNDJ0071FCZZ		(RSG-100)	
016		004	C	AC	NBRGC0504FCZZ	PF bearing	(F8×12×5 16X)	
016		007	C	AN	NBLTH0342FCZZ	Belt	(S3M360W6)	
016		008	C	AB	PSHEP4861FCZZ	Washer	(22P)	
016		010	C	AA	LBNDJ0043FCZ1	Band	(SG-130)	
016		011	C	AN	NBLTH0365FCZZ	Belt	(60S3M303)	
016		012	C	BB	PCLC-0311FCPZ	5K clutch	(B)	
016		014	C	AE	NPLYZ0380FCZZ	Pulley	(22P S3M)	
016		015	C	AM	NSFTZ2638FCZZ	Paper feed clutch shaft T		
016		016	C	AB	LPINS0096FCZZ	Pin	(φ3-12)	
016		017	C	AZ	NSFTZ2650FCZZ	Transfer clutch shaft T		
016		018	C	AV	NSFTZ2670FCZZ	Tandem joint shaft		
016		019	C	AG	PCLR-0466FCZZ	Idler roller		
016		020	C	AG	NGERH1405FCZ1	Gear	(43T)	
016		021	C	AE	NGERH1241FCZZ	Gear	(36T)	
016		022	C	AD	LHLDW1490FCZZ	Edge wire saddle	(EWSE-2-01)	
016		023	C	BB	PCLC-0310FCPZ	5K clutch	(W)	
016		024	D	AV	CFRM-1045FC01	Tandem drive frame 1 Assy		
016		026	C	AC	MSPRC2920FCZZ	Coupling spring		
016		027	C	AS	NSFTZ2639FCZZ	Transfer position decide shaft		
016		028	C	AQ	DHAI-3222FCPZ	TAN lower main harness L		
016		030	C	AH	NCPL-0053FCZZ	Tandem paper feed coupling		
016		031	C	AG	NGERH1472FCZZ	T transfer gear	(29T)	
016		032	C	AB	LPINS0134FCZZ	Pin	(φ2×12)	
016		033	C	AN	NBLTH0340FCZZ	Belt	(S3M360W6)	
016		034	C	AC	LHLDW1489FCZZ	Micro wire saddle	(MWSEA2-3-01)	
016		035	D	AR	CFRM-1056FC01	Tandem drive frame 2 Assy		
017						17.500 cassette[B83MP]		

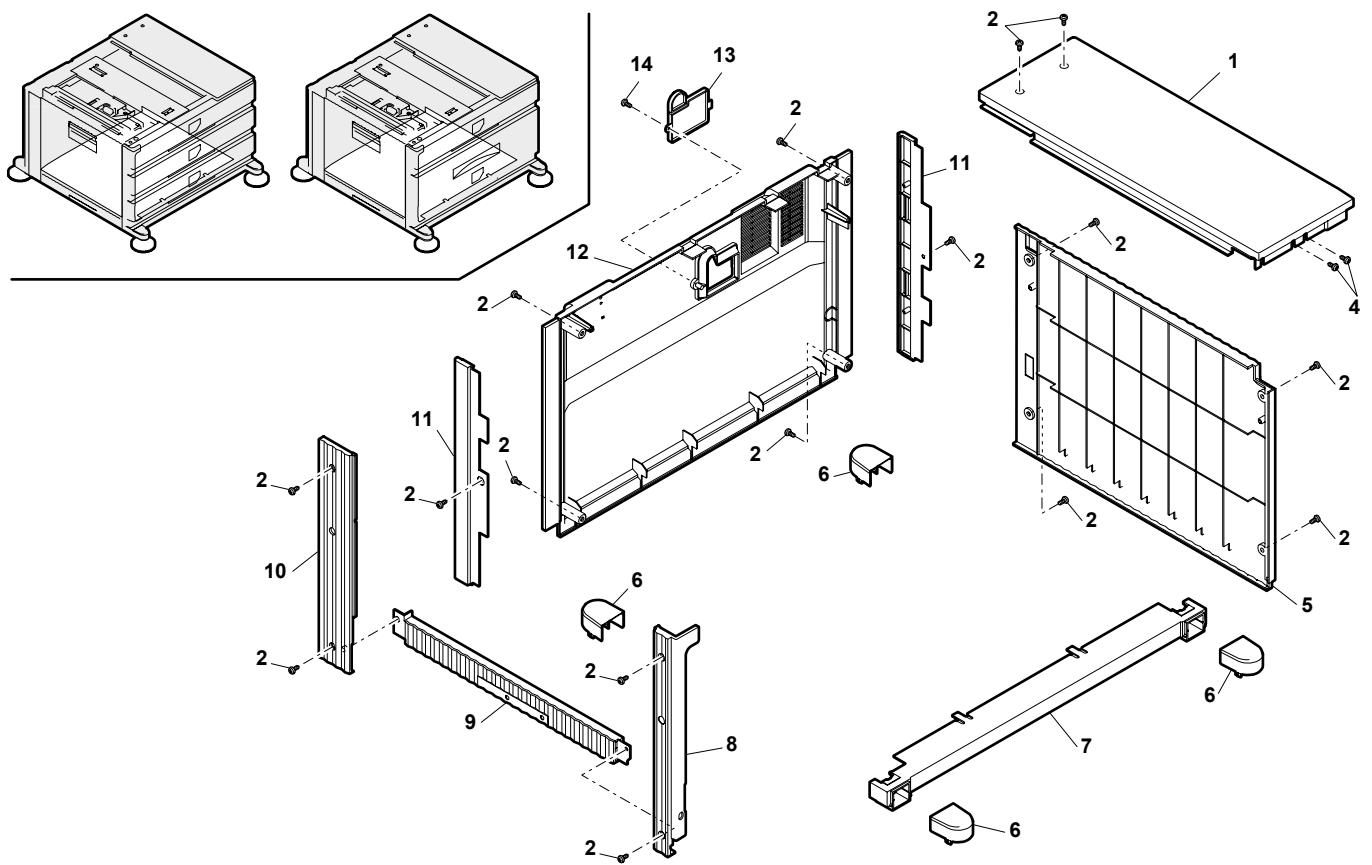
BLK	UNIT	ITEM	RANK	PRICE	PARTS CODE	DESCRIPTION	SPEC	LOCATION
017		001	C	AL	LPLTP5812FCZZ	Regulation plate R		
017		003	C	AD	LPLTM5814FCZZ	Regulation plate		
017		004	C	AE	PTPE-0262FCZZ	Side plate tape		
017		005	C	AX	LPLTP5813FCZ1	Regulation plate F		
017		006	C	AC	MSPRC2631FCZZ	Side plate lever spring		
017		007	C	AE	MLEVP0915FCZZ	Side plate F lever		
017		009	C	AF	LPLTM5819FCZZ	Regulation bottom plate F		
017		011	C	AQ	LPLTP5815FCZZ	Rear edge plate		
017		013	D	BA	PCOVP1579FCZ1	Cassette knob cover		
017		014	C	AG	LHLDZ1462FCZZ	Rear edge plate holder		
017		015	C	AW	MARMP0268FCZZ	Multi size detect arm		
017		016	C	AA	XWHS740-08120	Washer		
017		017	D	BU	GCASP0176FCZZ	500 Cassette		
017		018	B	AU	CPLTM5828FC01	Lift plate Assy		
017		021	C	AA	XPSSJ40-25000	SP pin	(4×25)	
017		022	C	AC	NBRGP0626FCZZ	Bearing	(M8)	
017		023	C	AD	PSHEZ4865FCZZ	Multi seperate front sheet		
017		024	C	AU	LPLTM5811FCZZ	Turn plate		
017		025	C	AB	PSHEZ3130FCZZ	Rotation plate sheet		
017		026	C	AC	MSPRT2898FCZZ	Remainder detect spring		
017		027	C	AH	MLEVP0811FCZ1	Remainder actuator		
017		028	C	AD	MSPRC2897FCZZ	Cassette earth spring		
017		029	D	AG	LDIAU0632FCZZ	Wrong insert prevention block		
017		031	C	AR	LPLTP5817FCZZ	Multi size detect plate		
017		033	C	AE	LPLTP5816FCZ1	OC adjust plate		
017		034	C	AF	NGERH1449FCZZ	Gear	(18T)	
017		035	C	AB	LHLDW1226FCZZ	Turn fastener		
017		036	D	AC	TLABZ4452FCZZ	Label		
017		037	D	AF	TLABZ4453FCZZ	Label		
018						18.Packing Material & Accessories[B83MP]		
018		001	D	AW	SPAKA6184FCZ1	Multi right cushion		
018		002	D	AB	0EUSAK0617P//	Vinyl bag	(90×170)	
018		003	D	BE	SPAKC6365FCZZ	Multi packing case		
018		004	D	AY	SPAKA6185FCZZ	Multi left cushion		
018		006	B	AG	CPLTM5823FC01	OP fixing plate F Assy		
018		007	C	AD	LPLTM5807FCZZ	OP fixing plate R		
018		008	C	AB	LHLDW1226FCZZ	Turn fastener		
018		009	D	AQ	SPAKA6202FCZZ	Cassette fixing packing cushion right		
018		010	D	AP	SPAKA6305FCZZ	Turn plate fixing packing cushion A		
018		011	D	AC	TCADZ1807FCZZ	Cassett rotation tag		
018		012	D	AV	0EUPKA0675P//	Turn plate fixing packing cushion B		
018		013	D	AA	SPAK-545ECCZZ	Vinyl bag	(100×220mm)	
018		014	D	AF	0EUSAK0615P//	Vinyl bag	(0.04×740×900)	
019						19.Packing Material & Accessories[B83TT]		
019		001	D	BD	SPAKA6186FCZ1	Desk top cushion		
019		002	D	AC	TCADZ1807FCZZ	Cassett rotation tag		
019		003	D	AF	SSAKZ0020FCZZ	Vinyl bag		
019		004	D	AW	PCOVP1588FCZ1	Left adjuster cover		
019		005	B	BN	CSTYM0287FC01	Left adjuster stay Assy		
019		007	C	AP	LPLTP5831FCZ1	Adjuster wheel	(φ80)	
019		008	C	AB	LHLDW1226FCZZ	Turn fastener		
019		011	D	BG	SPAKC6367FCZZ	Packing case		
019		015	D	AB	0EUSAK0617P//	Vinyl bag	(90×170)	
019		017	D	AR	PCOVP1587FCZ3	Adjuster cover		
019		018	C	AD	LPLTM5807FCZZ	OP fixing plate R		
019		019	B	AG	CPLTM5823FC01	OP fixing plate F Assy		
019		021	D	AG	0EUSAK0601J//	Vinyl bag	(1250×700)	
019		022	C	AL	NSFTZ2627FCZZ	Adjuster shaft		
019		023	C	AA	XRESP60-08000	E type ring	(E6)	
019		024	B	BG	CPAKA6187FC01	Bottom case		
020						20.Packing Material & Accessories[B83LT]		
020		001	D	BD	SPAKA6186FCZ1	Desk top cushion		
020		002	D	AW	PCOVP1588FCZ1	Left adjuster cover		
020		003	B	BN	CSTYM0287FC01	Left adjuster stay Assy		
020		005	C	AP	LPLTP5831FCZ1	Adjuster wheel	(φ80)	
020		006	C	AB	LHLDW1226FCZZ	Turn fastener		
020		009	D	BG	SPAKC6366FCZZ	Tandem packing case		
020		011	D	AF	SSAKZ0020FCZZ	Vinyl bag		
020		012	C	AH	LPLTP5837FCZ2	Tandem regulation plate L		
020		013	C	AZ	QEARP0135FCZ1	Tandem regulation earth plate L		
020		014	C	AK	LPLTP5838FCZ2	Tandem regulation plate R		
020		015	D	AC	TCADZ1807FCZZ	Cassett rotation tag		
020		016	D	AD	0EULAB0404K//	Caution label	(φ6)	
020		017	D	AB	0EUSAK0617P//	Vinyl bag	(90×170)	
020		019	B	AG	CPLTM5823FC01	OP fixing plate F Assy		
020		020	C	AD	LPLTM5807FCZZ	OP fixing plate R		

BLK	UNIT	ITEM	RANK	PRICE	PARTS CODE	DESCRIPTION	SPEC	LOCATION
020		021	D	AR	PCOVP1587FCZ3	Adjuster cover		
020		024	D	AG	0EUSAK0601J//	Vinyl bag	(1250×700)	
020		025	D	AV	SPAKA6267FCZZ	Tandem cassette fixing packing cushion left upper		
020		026	D	AT	SPAKA6268FCZZ	Tandem cassette fixing packing cushion left lower		
020		027	D	AV	SPAKA6269FCZZ	Tandem cassette fixing packing cushion right upper		
020		028	D	AT	SPAKA6270FCZZ	Tandem cassette fixing packing cushion right lower		
020		029	D	AE	SPAKA6271FCZZ	Tandem front exterior support cushion		
020		030	C	AL	NSFTZ22627FCZZ	Adjuster shaft		
020		032	B	BG	CPAKA6187FC01	Bottom case		
021						21.3T Control PWB[B83TT]		
021	901		E	BQ	CPWBN1477FC47	3T Control PWB		
022						22.MPT PWB[B83MP]		
022	901		E	AZ	CPWBN1476FC34	MPT PWB		
023						23.TAN Control PWB[B83LT]		
023	901		E	BP	CPWBN1477FC48	TAN Control PWB		
024						24.Tandem sensor PWB		
024	901		E	BD	CPWBF1484FC32	TAN sensor PWB		

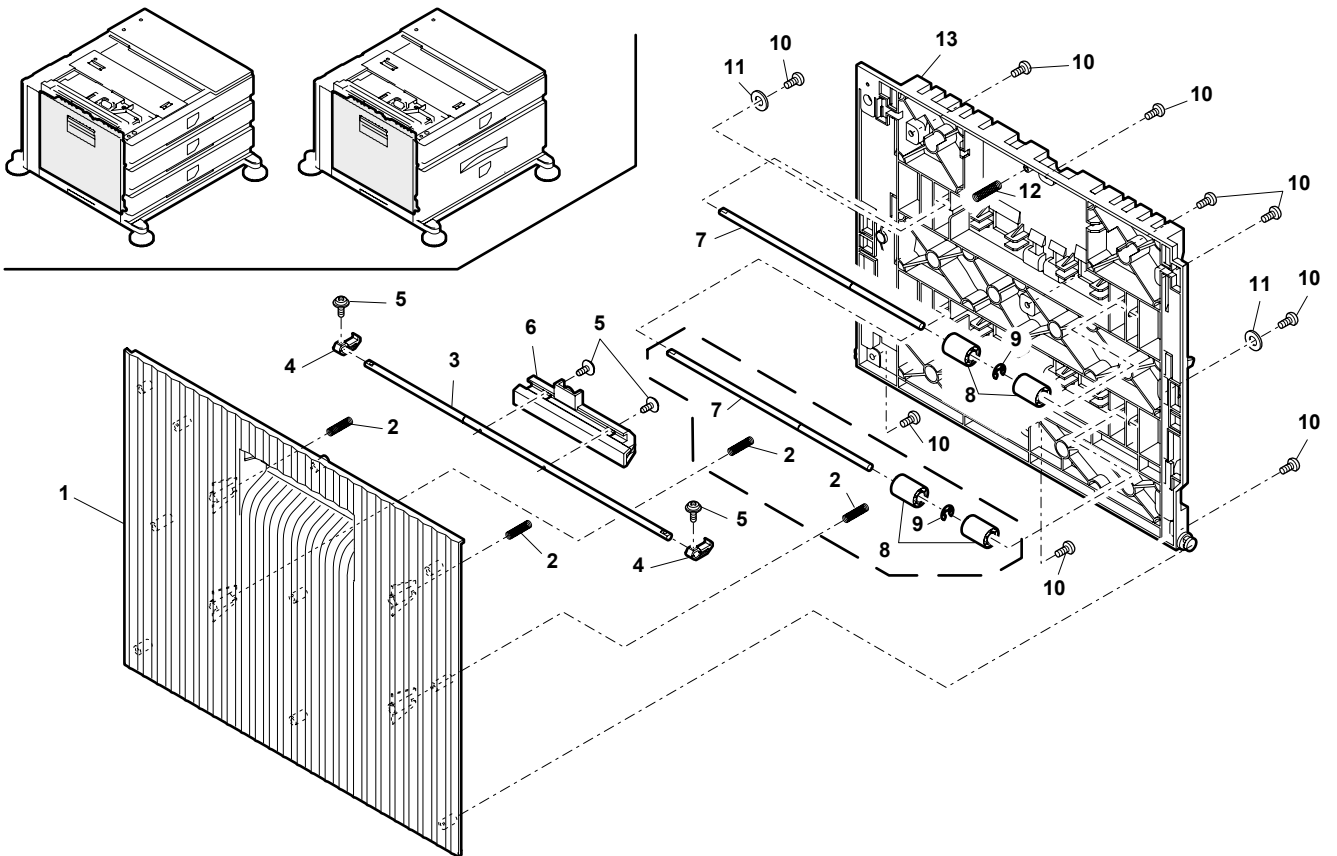
B83MP,B83LT,B83TT (1)



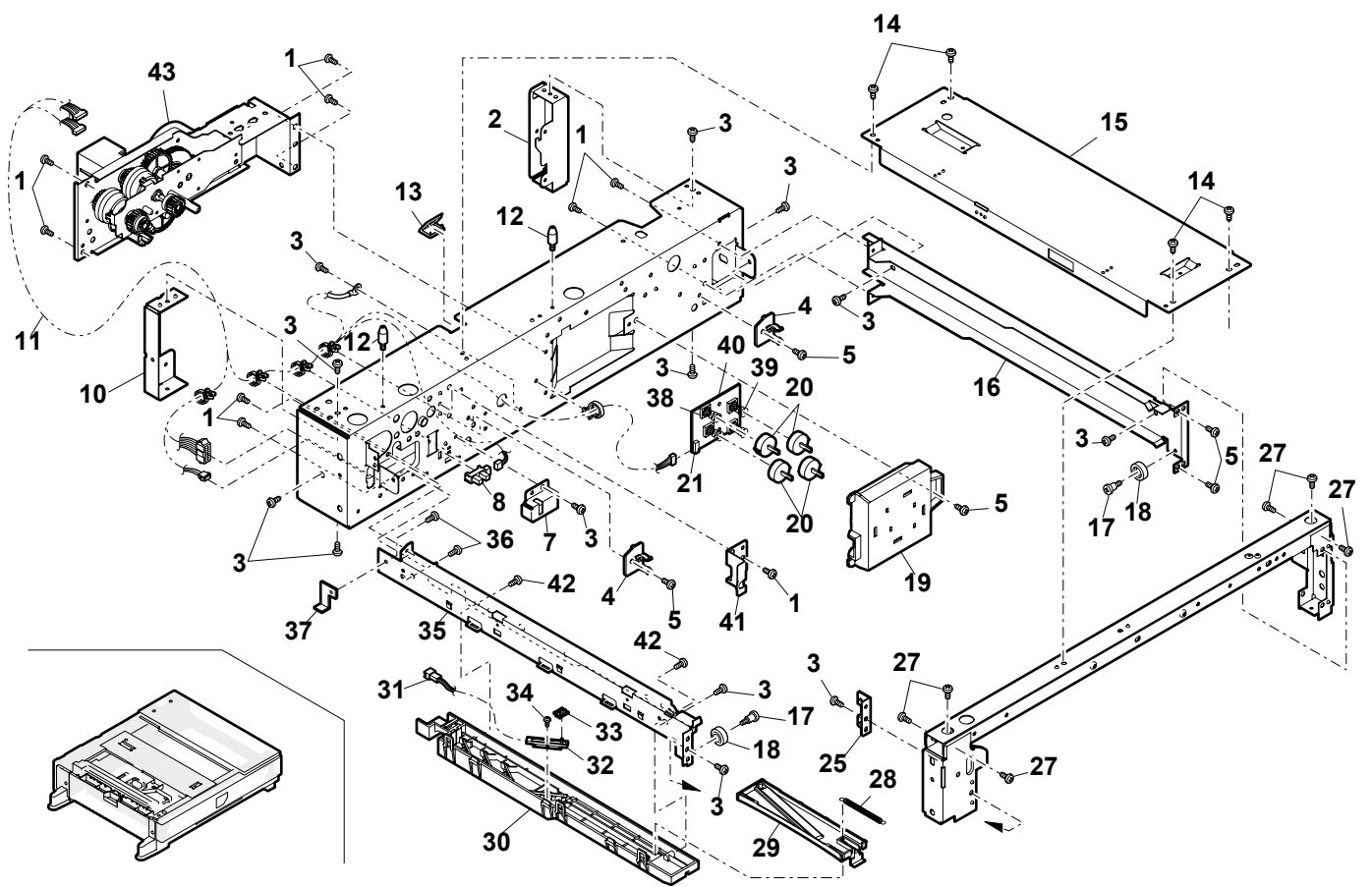
B83MP,B83LT,B83TT (2)

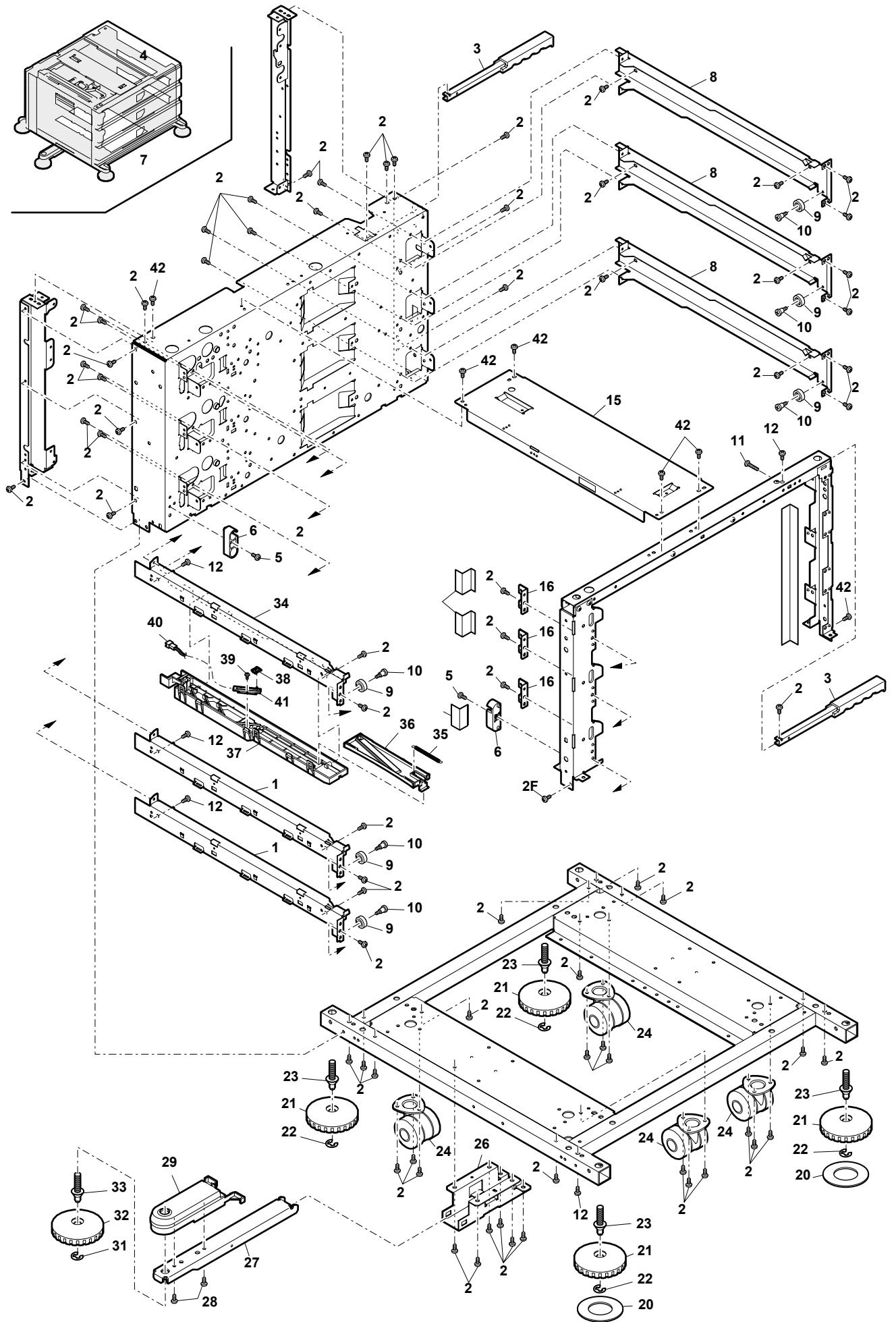


B83MP,B83LT,B83TT (3)

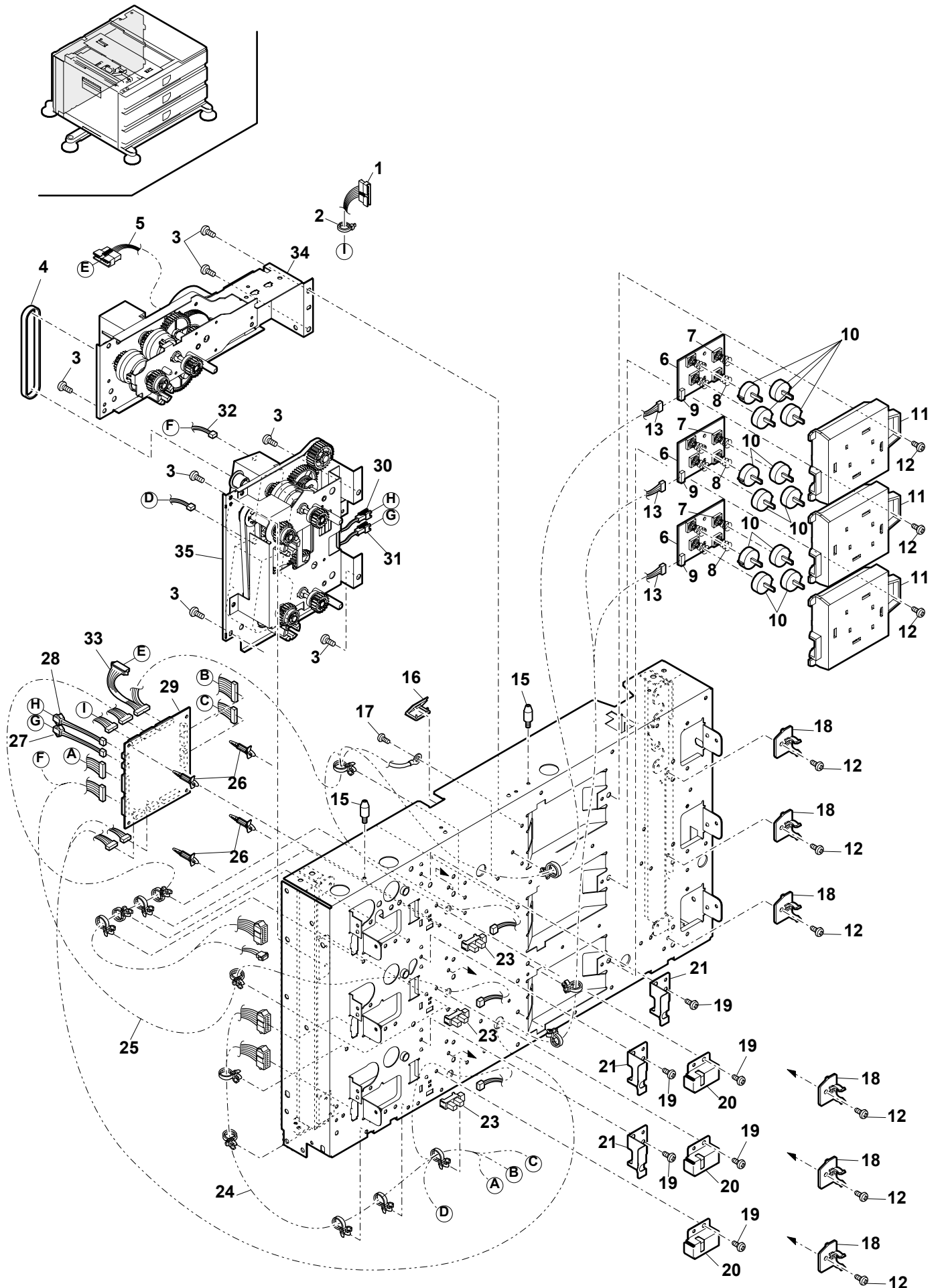


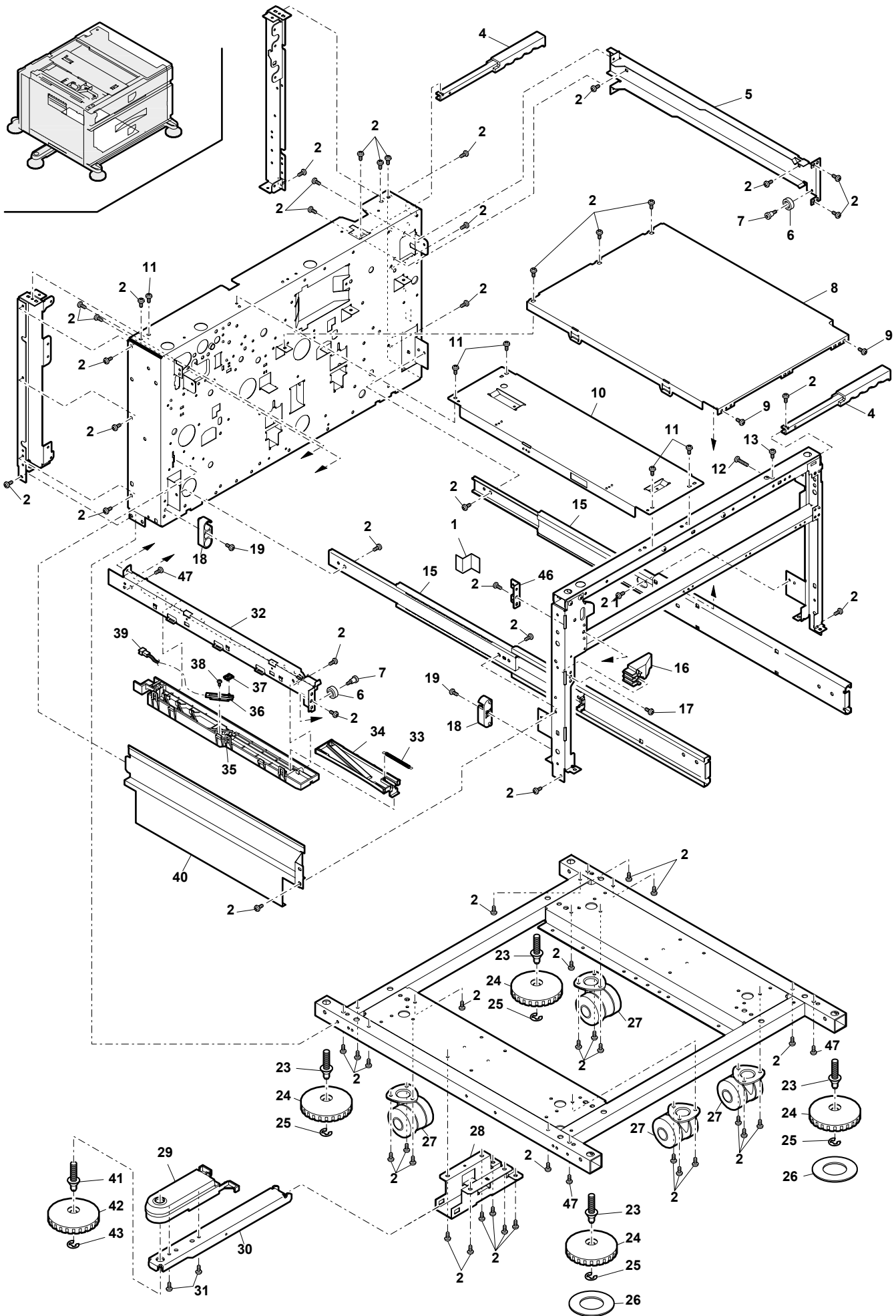
B83MP,B83LT,B83TT (4)



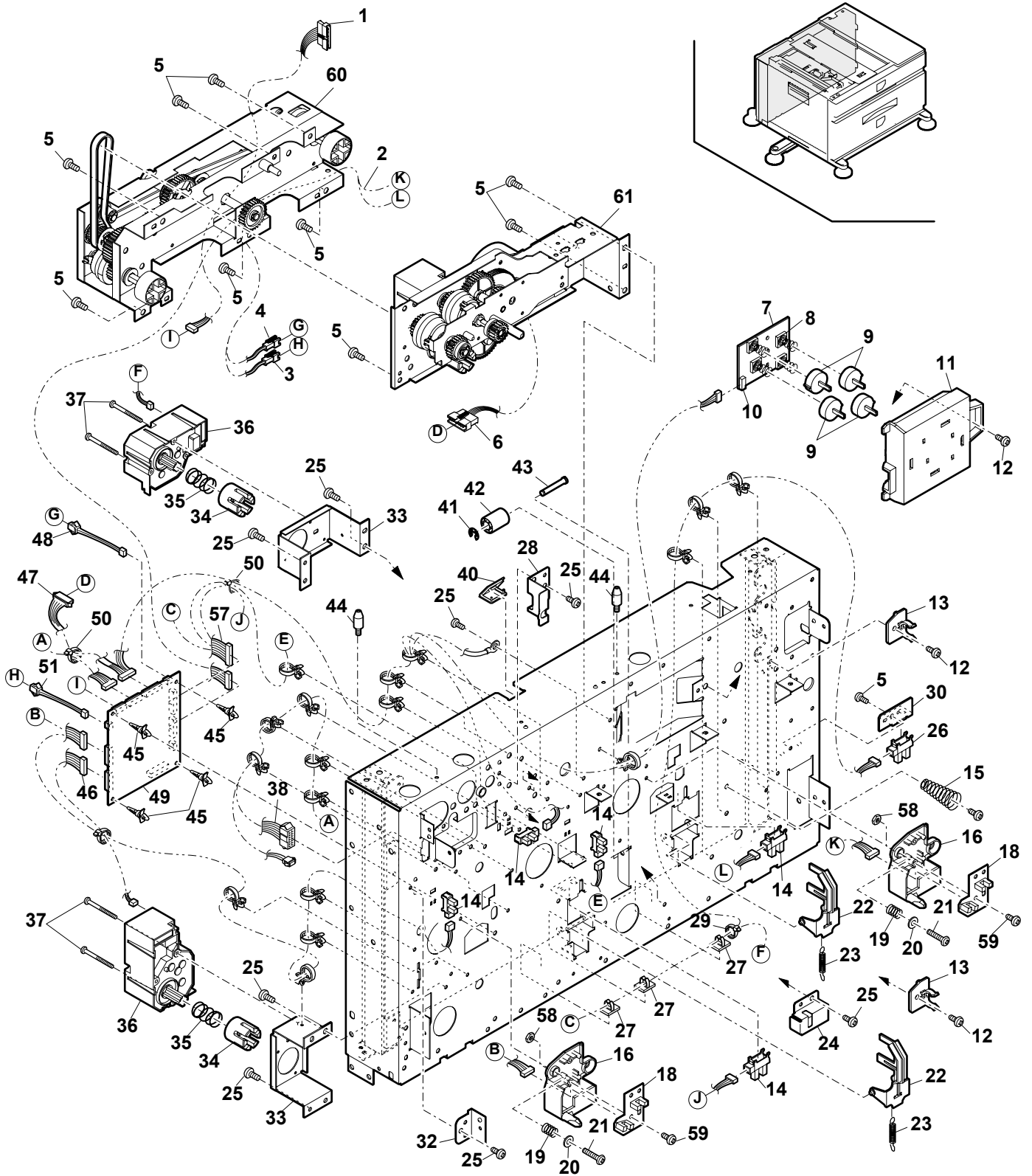


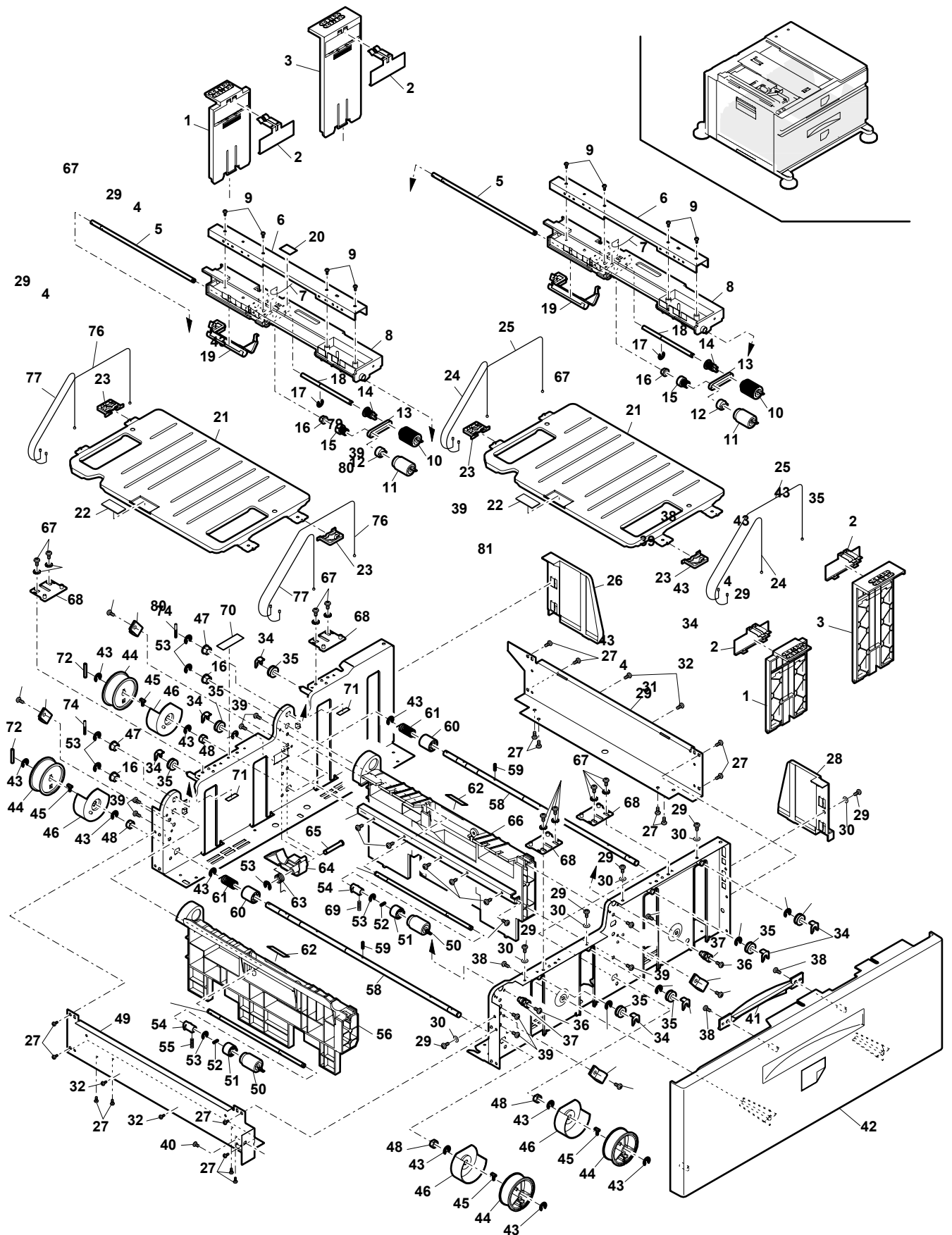
B83MP,B83LT,B83TT (6)



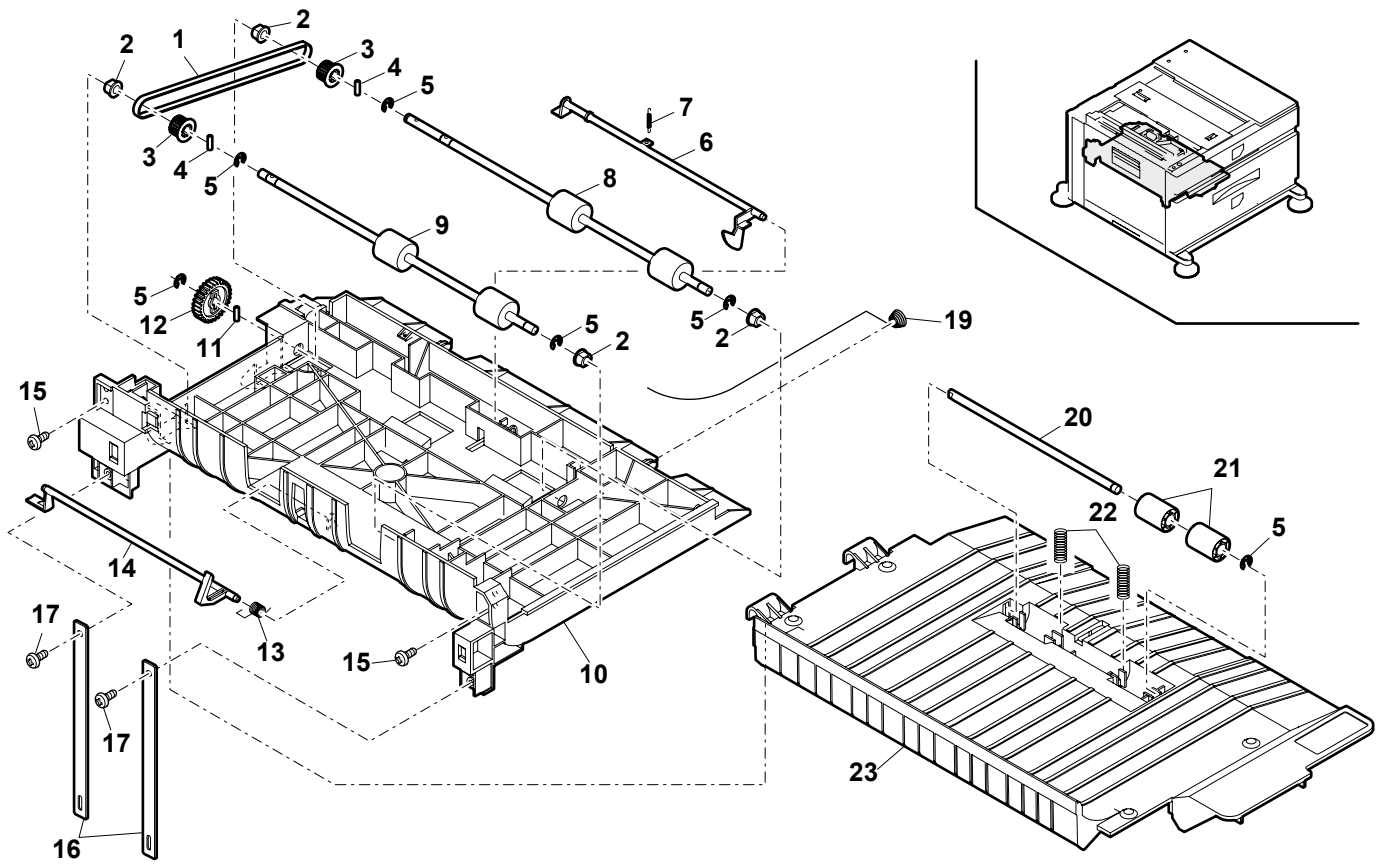


B83MP,B83LT,B83TT (8)

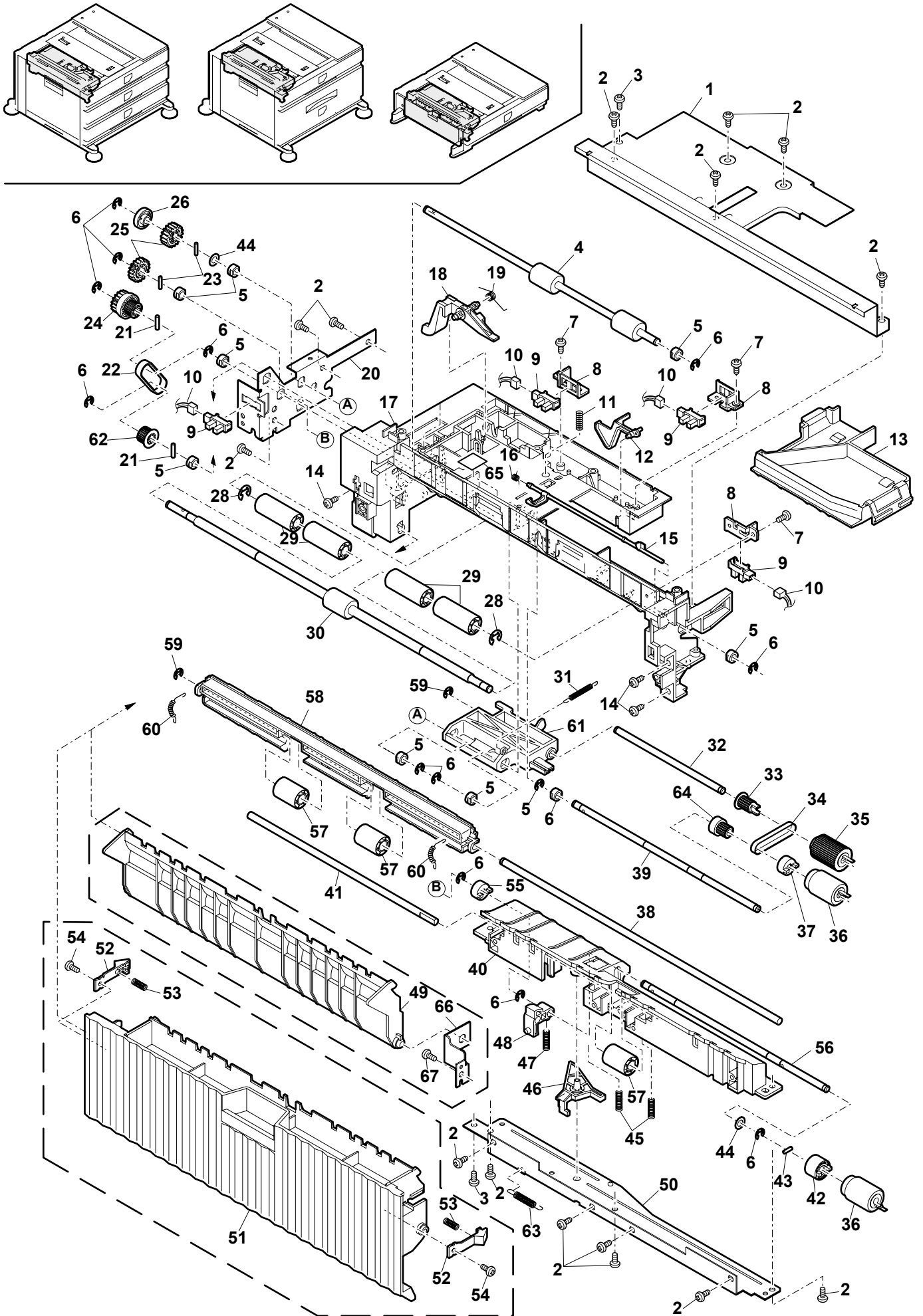




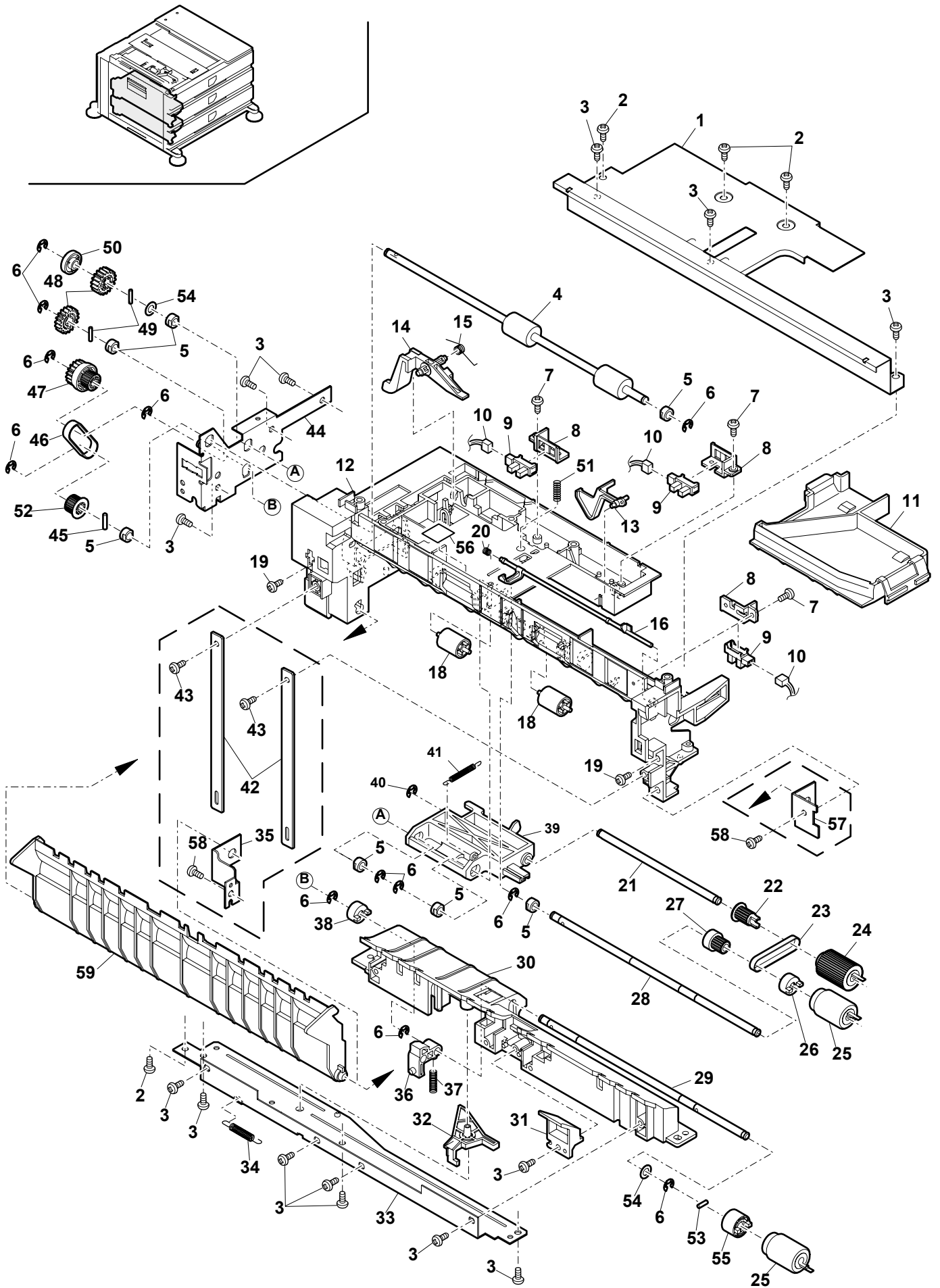
B83MP,B83LT,B83TT (10)



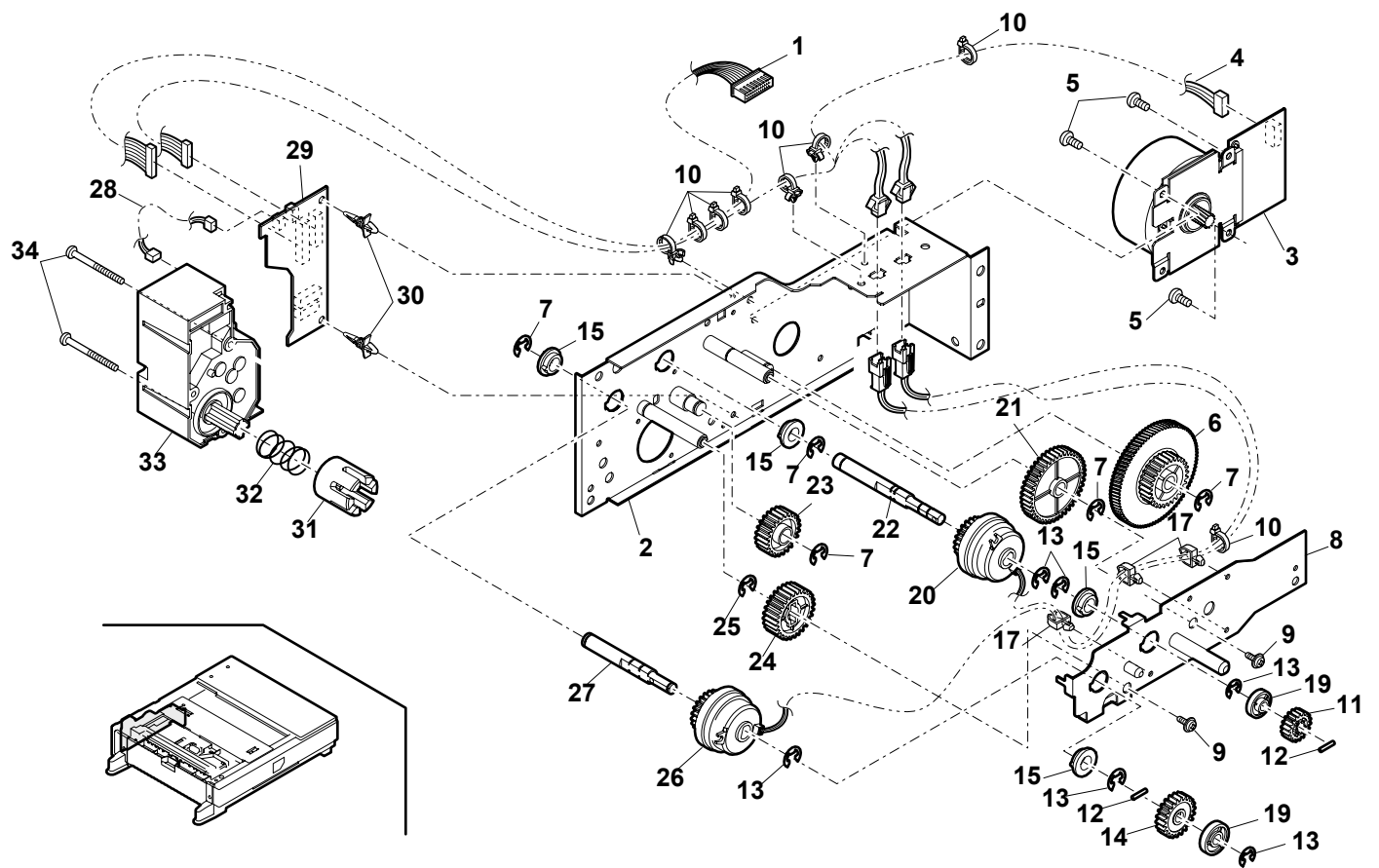
B83MP,B83LT,B83TT (11)



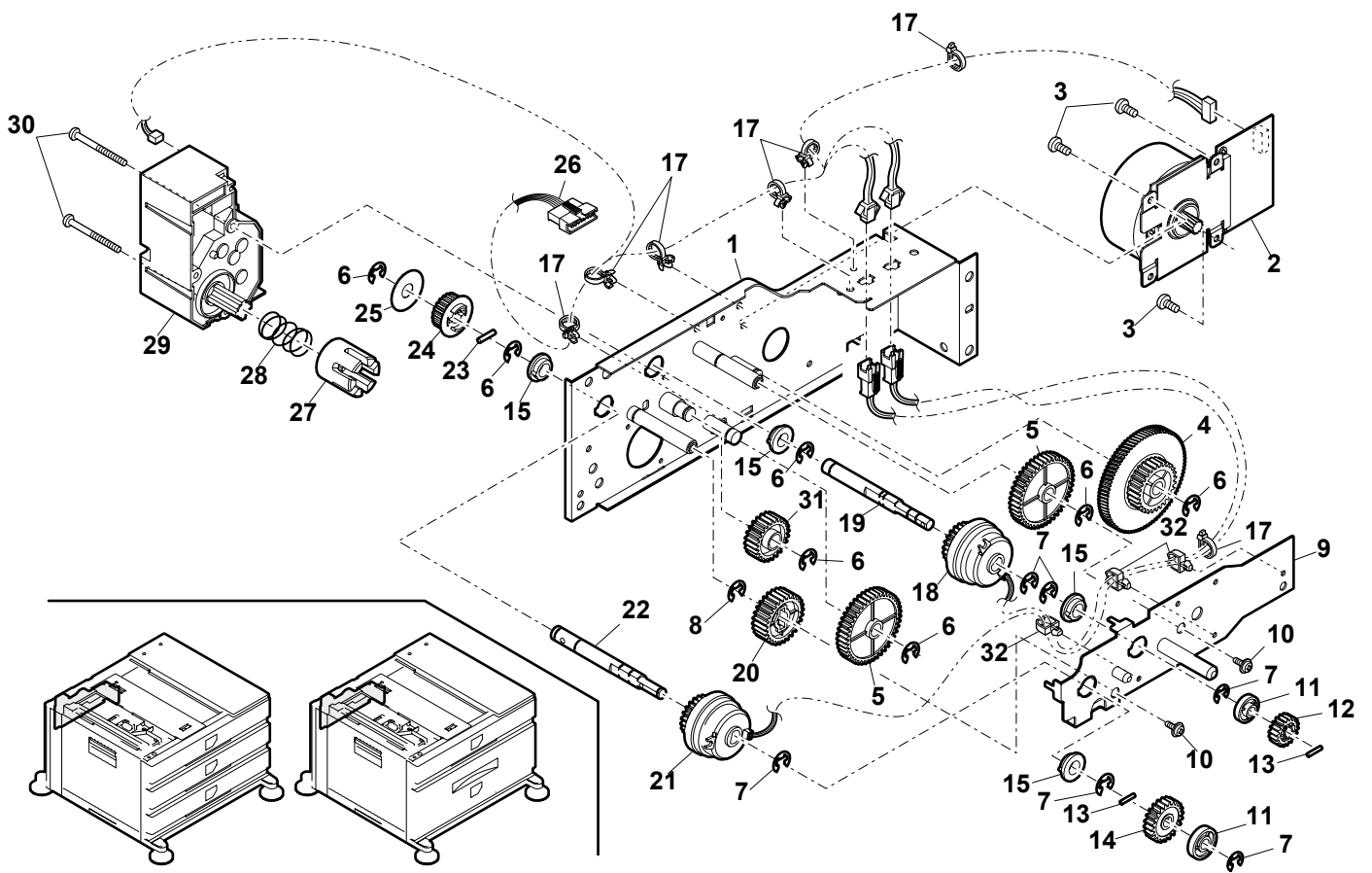
B83MP,B83LT,B83TT (12)



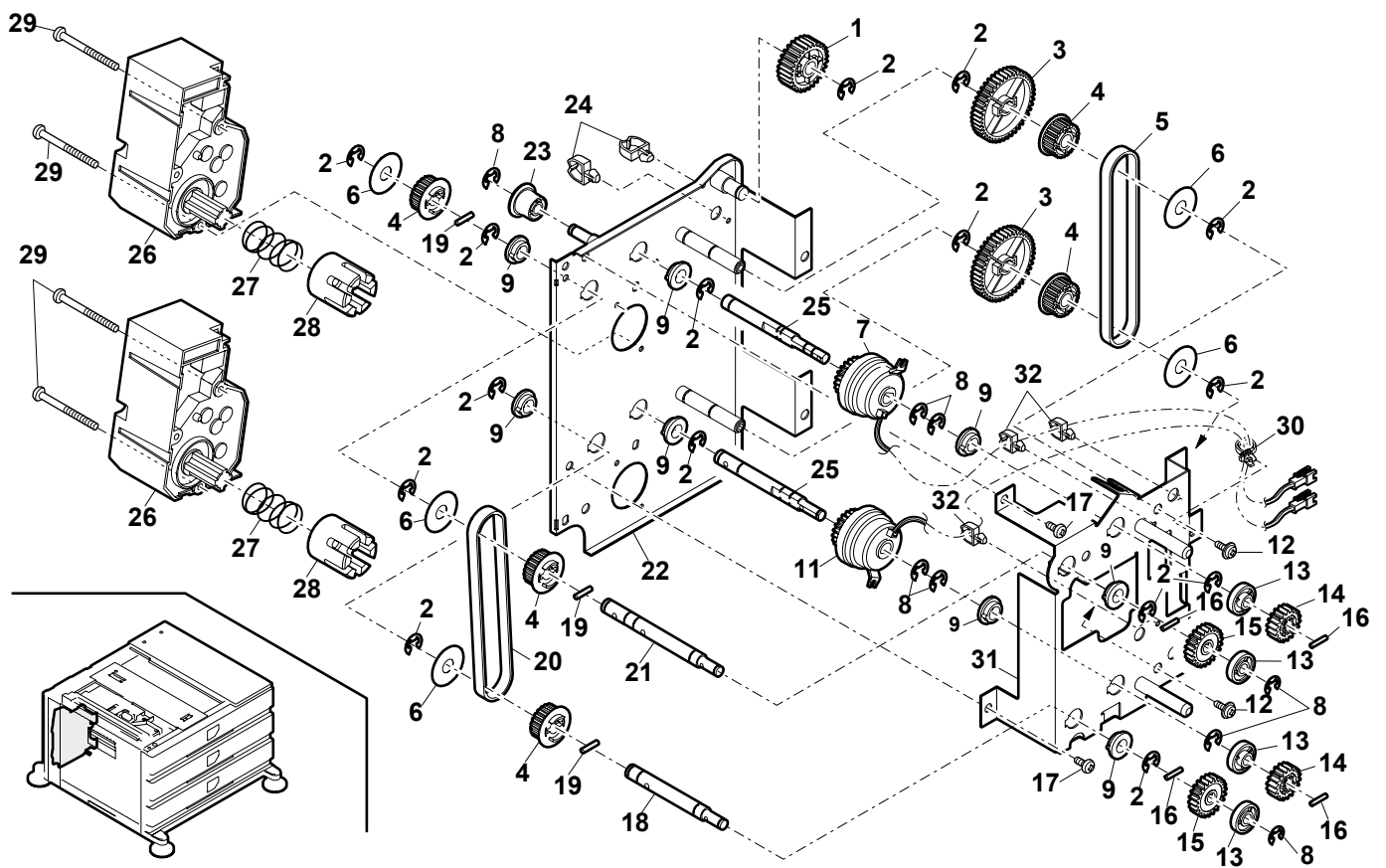
B83MP,B83LT,B83TT (13)



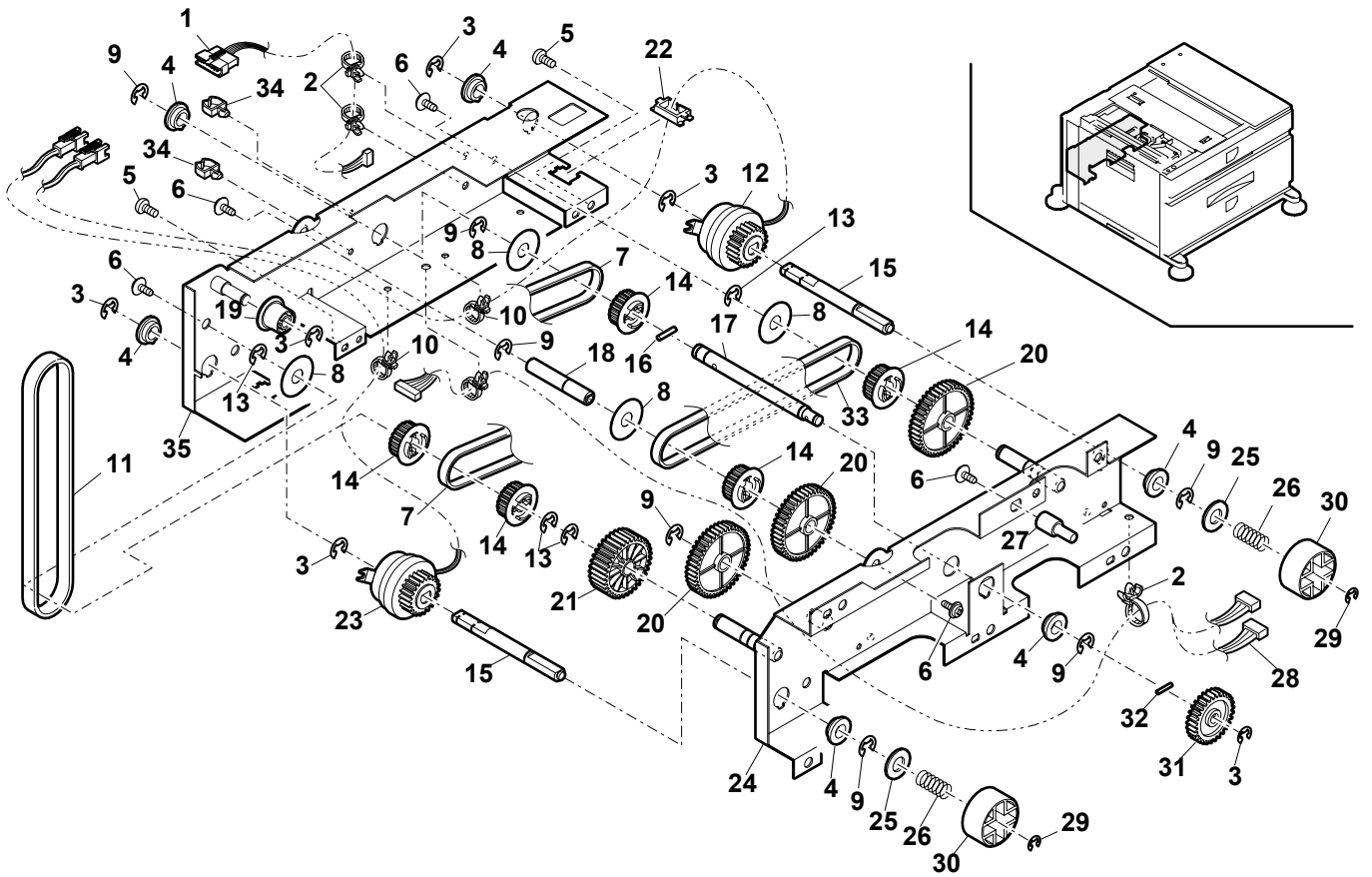
B83MP,B83LT,B83TT (14)



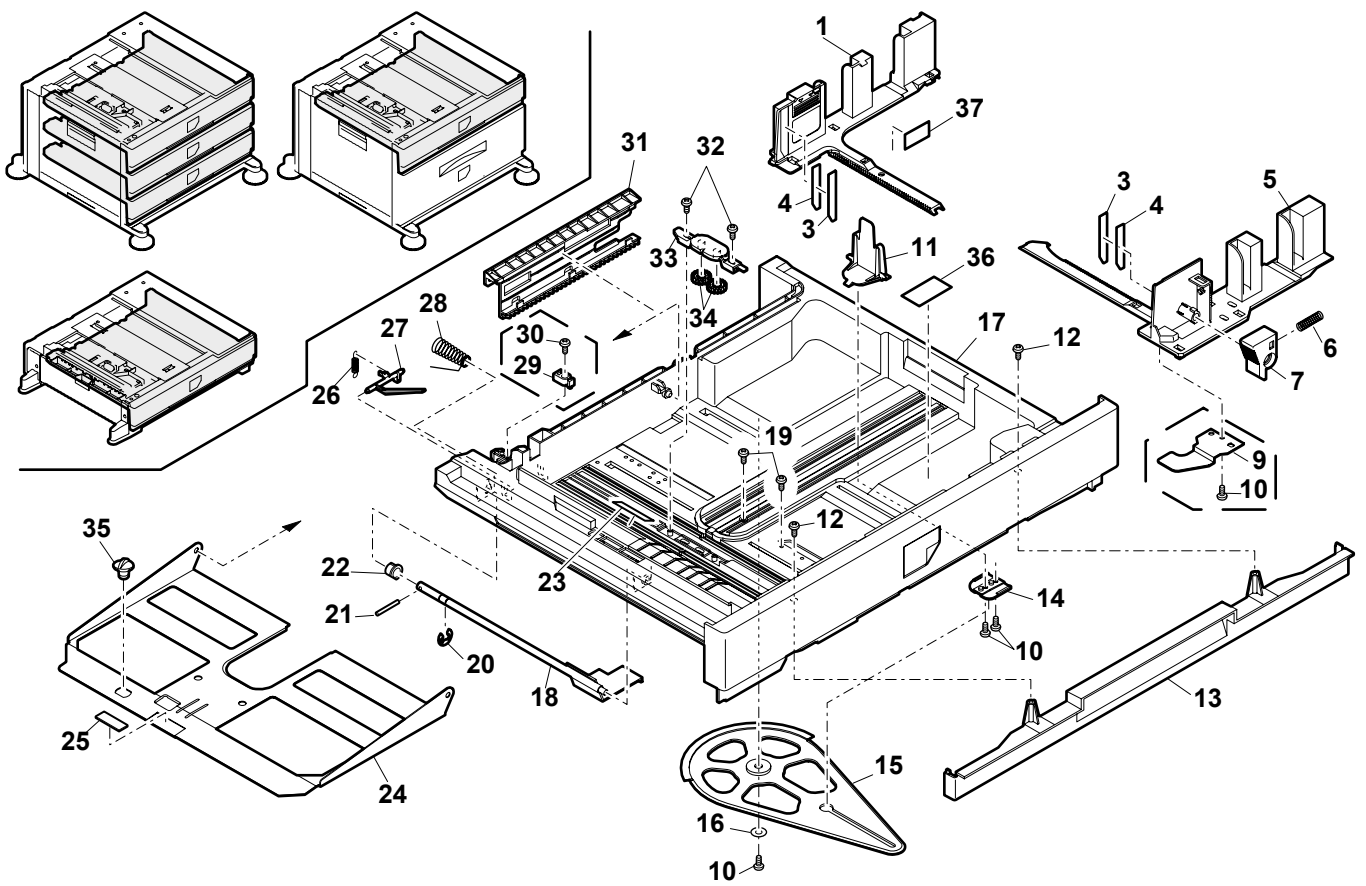
B83MP,B83LT,B83TT (15)



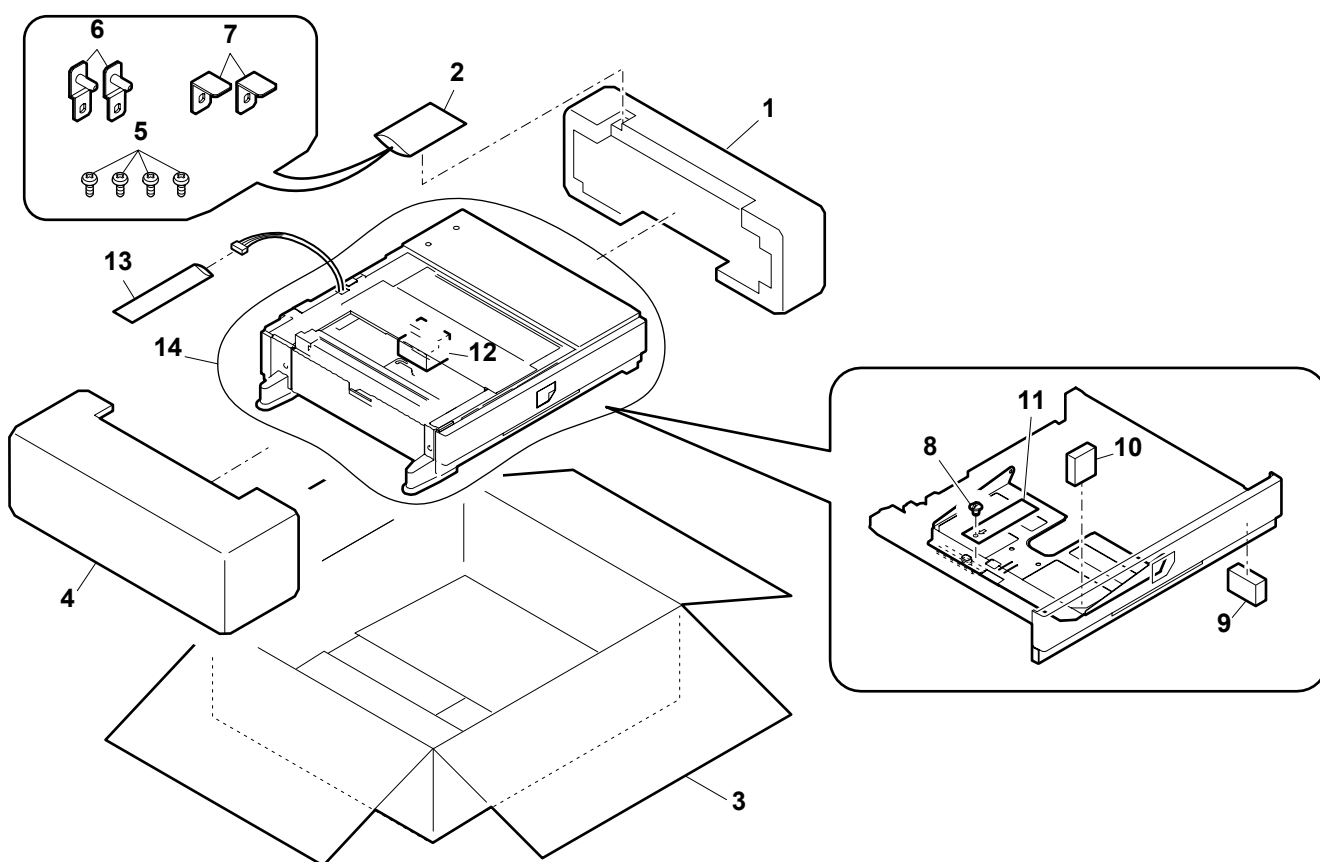
B83MP,B83LT,B83TT (16)



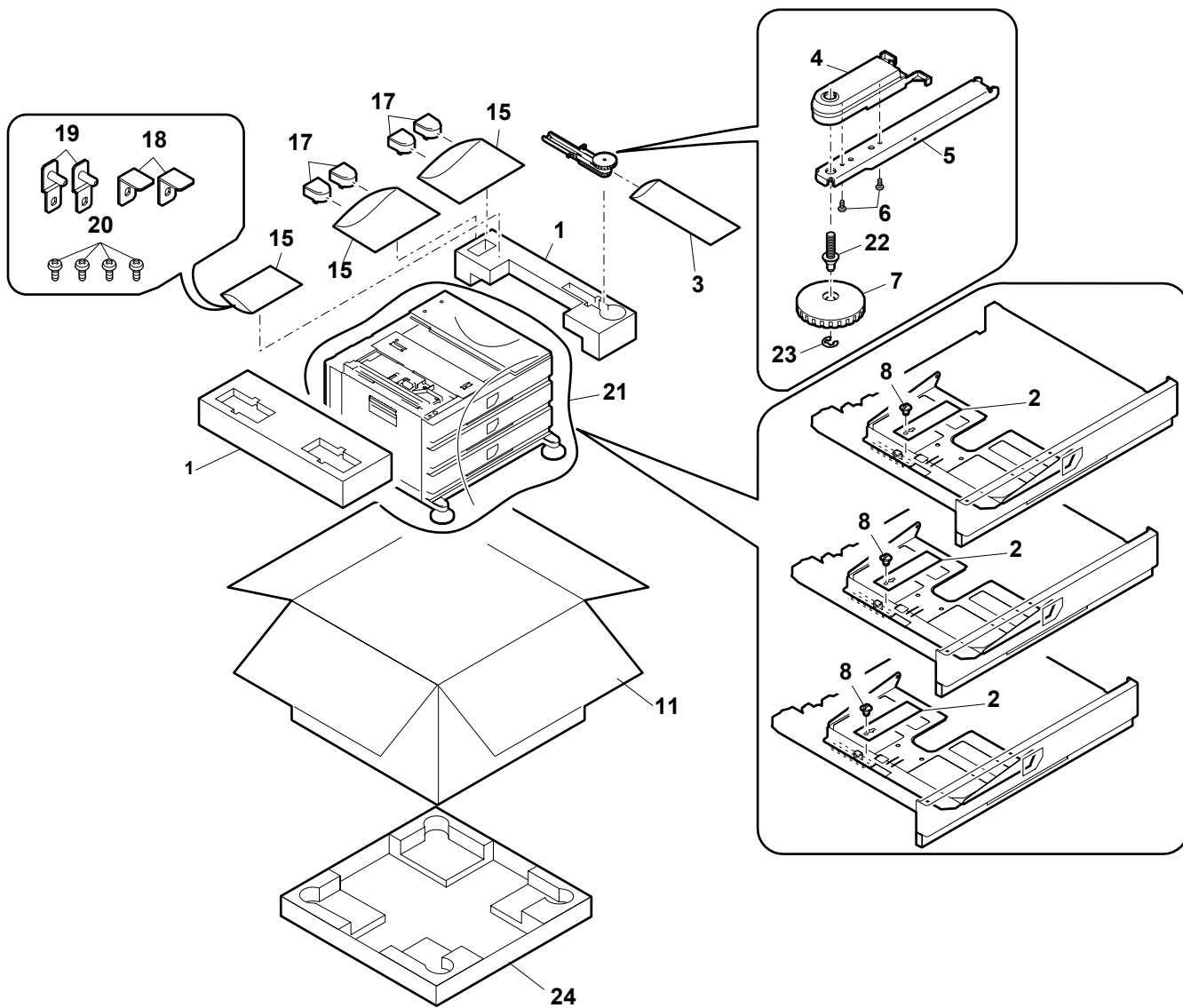
B83MP,B83LT,B83TT (17)



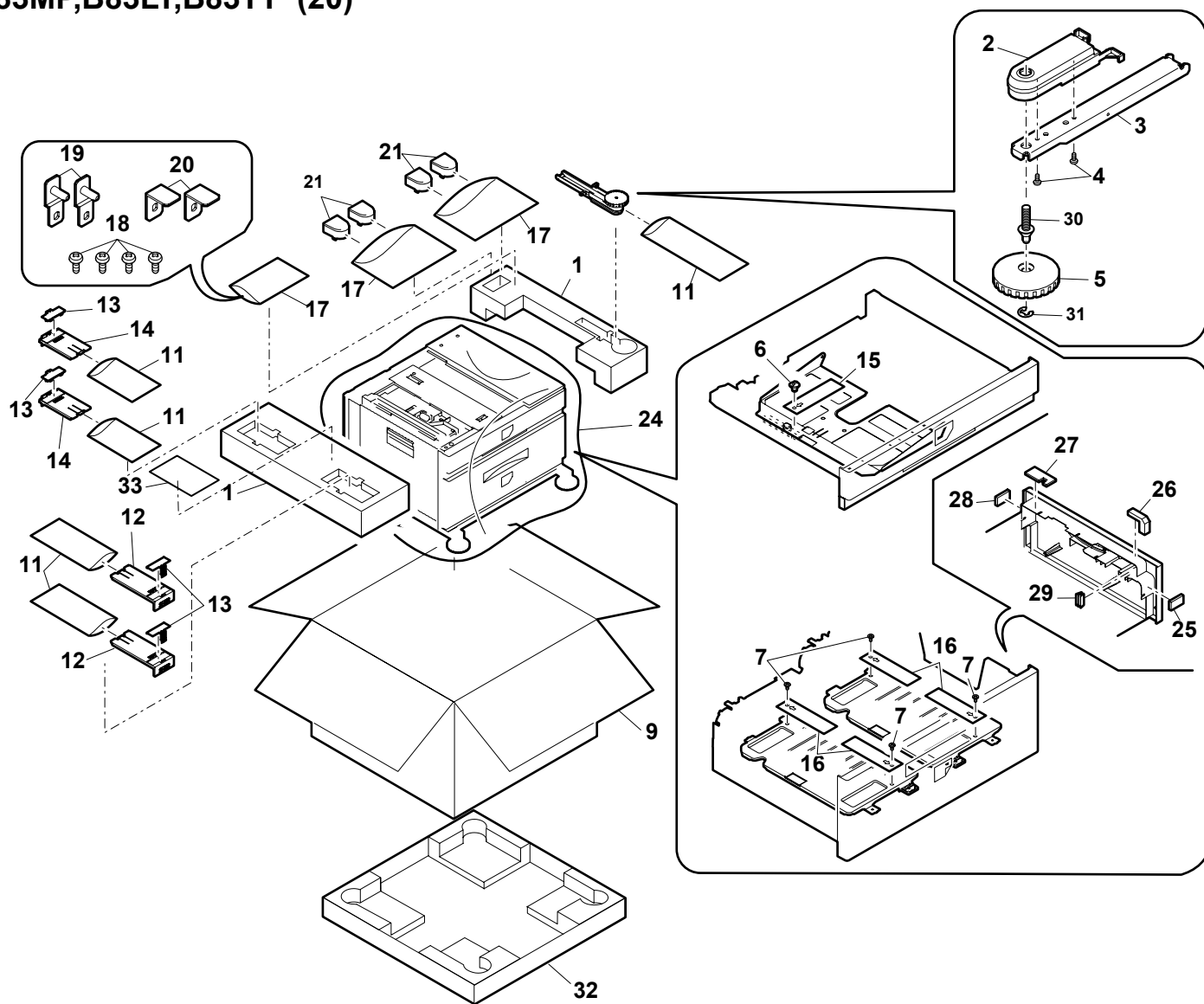
B83MP,B83LT,B83TT (18)



B83MP,B83LT,B83TT (19)



B83MP,B83LT,B83TT (20)



BLK	UNIT	ITEM	RANK	PRICE	PARTS CODE	DESCRIPTION	SPEC	LOCATION
001						1.Exteriors		
001		001	C	BK	PGIDM1932FCZ3	Transport paper guide upper		
001		002	D	BG	GCAB-0967FCT2	Upper cabinet		
001		003	C	AX	JHNDP0161FCT1	SF knob		
001		007	C	AF	NSFTZ2644FCZZ	Staple rotation shaft		
001		008	C	AH	NSFTZ2663FCZZ	Interface lock shaft		
001		009	C	AC	MSPRC2950FCZZ	ST lock spring		
001		012	C	AK	MSPRP2976FCZZ	Body earth spring		
001		014	C	AT	DHAI-3228FCPZ	SF interface unit harness		
001		016	D	BK	PCOVP1582FCZ1	Left cover		
001		017	B	AW	RPLU-0341FCPZ	Pressure solenoid		
001		018	C	AQ	LPLTM5909FCZZ	SOL fixing plate SFN		
001		019	C	AA	LHLDW1009ACZZ	Mini clump	(MWSET2-1-01)	
001		023	C	AG	CPLTM5903FC01	Right cabinet joint plate F		
001		024	C	AL	LPLTM5858FCZ1	Body fixing slide plate		
001		027	C	AH	DHAI-3227FCPZ	SF full detect harness		
001		028	B	AG	VHPGP1AQ73A-18	Photointerrupter Sensor	(GP1AQ73A)	
001		029	C	AP	LPLTM5923FCZZ	Full detection protect plate		
001		031	D	AZ	GCAB-0961FCTZ	Rear cabinet upper		
001		032	C	AC	PSHEZ4900FCZ1	Paper fixing stopper sheet		
001		033	C	AG	LBSHC0351FCZZ	Edge holder		
001		036	C	AB	NGERH0209FCZ1	Delivery roller gear	(24T)	
001		038	C	AK	NGERH1464FCZZ	Gear	(26P/26T)	
001		039	C	AF	0EUGER0417L//	Delivery gear	(29T)	
001		041	C	AB	PSHEP4896FCZZ	Flange myler		
001		042	B	AK	NBLTH0361FCZZ	Belt	(S2M244)	
001		044	B	AH	QSW-M0502FCZZ	Micro switch		
001		045	C	AW	DHAI-3243FCPZ	SF rear harness		
001		049	C	AH	NSFTZ2651FCZZ	Staple lock shaft		
001		050	C	AF	MARMP0276FCZZ	Staple lock arm		
001		053	B	AR	RPLU-0339FCPZ	SF paper fixing solenoid		
001		054	C	AE	LHLDZ1469FCZZ	Upper transport fulcrum plate		
001		056	D	BS	GCAB-0966FCT3	Right cabinet 1		
001		058	C	AN	DHAI-3226FCPZ	SF main motor harness		
001		059	E	BU	CPWBN1478FC35	SF main PWB TF unit		
001		061	C	AB	LSUPP0083FCZZ	Board Support	(LCBS-3)	
001		062	C	AN	LPLTM5868FCZZ	Main PWB fixing plate		
001		063	B	BP	RMOTP0944FCPZ	Transport motor SFN		
001		064	C	AC	LHLDW1489FCZZ	Micro wire saddle	(MWSEA2-3-01)	
001		066	C	AU	CFRM-1051FC028	Drive frame		
001		067	C	AF	NGERH1463FCZZ	Drive gear	(55T/25T)	
001		068	D	BD	GCAB-0965FCT2	Delivery cabinet SFN		
001		069	C	AG	CPLTM5902FC01	Right cabinet joint plate R		
001		071	C	AN	LSTYM0281FCZ1	After edge stay		
001		072	D	BK	GCAB-0968FCTZ	Right cabinet 2		
001		073	C	AC	PSHEZ4869FCZZ	Stopper gate damper sheet		
001		075	C	AE	LBSHC0352FCZ1	Edge protect bushing	(PGS-2)	
001		076	C	AH	0EUARM0602L//	Paper fixing arm		
001		080	C	AN	DHAI-3272FCPZ	SF ST move harness		
001		081	C	AD	MSPRT2992FCZ1	Movement harness spring		
001		082	C	BR	LPLTP5847FCT2	After edge plate		
001		083	C	AS	DHAI-3229FCPZ	SF elevator harness		
001		085	D	BP	GCAB-0962FCT3	Front cabinet		
001		086	D	BB	GCAB-0970FCZ2	Inside cabinet FN		
001		087	D	AL	TLABZ4454FCZZ	ST label		
001		088	D	AS	GCAB-0969FCBZ	Front cabinet lower		
001		089	D	BP	GDOR-0034FCT1	Front door		
001		090	B	AW	RPLU-0341FCPZ	Pressure solenoid		
001		091	C	AS	DHAI-3246FCPZ	SF left cover harness		
001		094	C	AH	LPLTM5915FCZZ	Bottom joint plate		
001		095	C	AH	LHLDW1488FCZZ	Edge wire saddle	(WS-SE-B-1-01A-RT)	
001		099	B	AS	RPLU-0344FCPZ	Stopper solenoid		
001		100	C	AB	PSHEZ4952FCZZ	Actuator dumper sheet		
001		102	C	AA	LSUPP1001ACZZ	PWB supporter	(KGPS-4S)	
002						2.Interface unit		
002		001	D	BN	PCOVP1584FCZ3	Upper cover		
002		002	C	BH	PGIDM1948FCZ1	Interface upper paper guide		
002		005	C	AF	PSHEZ4936FCZ1	Decurler cover protect sheet		

BLK	UNIT	ITEM	RANK	PRICE	PARTS CODE	DESCRIPTION	SPEC	LOCATION
002		006	C	AK	PCOVP1625FCZZ	Decurler cover		
002		007	C	AD	PSHEP4894FCZ1	Pick up sheet		
002		009	C	AG	NROLP1351FCZZ	Support roller		
002		011	C	AC	PMLT-1274FCZZ	Paper entry cushion		
002		012	C	AV	MARMM0283FCZ2	Adjustment arm FN		
002		014	C	AV	MARMM0280FCZ1	Adjustment arm RN		
002		016	D	BU	LDAIU0634FCZ3	Interface base plate		
002		017	C	AT	DHAI-3228FCPZ	SF interface unit harness		
002		018	C	AE	PMLT-1248FCZ3	Paper entry gate R malt		
002		019	C	AZ	PGIDM1933FCZ4	Interface lower paper guide		
002		020	D	AL	LFRM-1053FCZ1	Decurler drive frame F		
002		022	C	AY	PGIDM1947FCZ2	Paper entry gate R		
002		023	C	AB	NBRGM0096FCZ1	Bearing		
002		024	C	AB	0EURNGE050-//	Resin ring	(E5)	
002		025	C	AH	JHNDP0159FCZ1	Interface knob		
002		026	C	AF	MLEVP0823FCZZ	Lock lever		
002		028	D	AE	PCOVP1612FCZ1	Paper entry sensor cover		
002		029	B	AS	QSW-Z0524FCZ1	SF interface paper in sensor		
002		030	C	AY	NSFTZ2646FCZ1	Open/close shaft		
002		031	B	AR	RPLU-0340FCPZ	SPaper exit reversal gate solenoid		
002		034	D	BC	LFRM-1052FCZ2	Interface drive frame R		
002		035	C	AV	NROLR1345FCZZ	Transport roller R2		
002		037	B	AG	VHPGP1AQ73A-18	Photointerrupter Sensor	(GP1AQ73A)	
002		038	C	AC	LPLTM5932FCZZ	Tray 2 sensor fixing plate		
002		039	C	AB	LPINS0261FCZZ	SP pin	(3×10)	
002		040	C	AK	NBRGY0434FCZZ	Bearing		
002		041	C	AV	NSFTZ2672FCZZ	Interface link shaft		
002		042	C	AY	NSFTZ2643FCZ2	Decurler follower shaft		
002		043	C	BM	NROLR1346FCZ1	Decurler roller		
002		044	C	AA	XRESP60-08000	E type ring	(E6)	
002		045	C	AE	MSPRT2942FCZZ	Interface open/close spring		
002		047	C	AC	MSPRD2941FCZ1	Interface lock spring		
002		048	C	AE	PCLR-0467FCZ1	Adjustment collar F		
002		050	C	AV	MLEVF0835FCZ1	Open/close lever F		
002		052	C	AC	MSPRT2998FCZ1	Decurler pressure spring		
002		054	C	AA	LX-WZ2011SCZZ	Washer		
002		055	C	AC	MSPRT2946FCZZ	Paper entry gate R spring		
002		056	C	AX	NSFTZ2648FCZ1	Interface pressure shaft		
002		058	C	AV	MLEVF0836FCZ1	Open/close lever R		
002		059	B	AM	NBLTH0358FCZZ	Belt	(S3M288)	
002		060	C	AF	NPLYZ0383FCZZ	Pulley	(24P)	
002		061	B	AL	NBLTH0362FCZZ	Belt		
002		062	C	AE	0EUPPLY0412M//	Pulley	(20P)	
002		063	C	AB	PSHEP4896FCZZ	Flange myler		
002		064	C	AC	MSPRD3006FCZ1	Return spring		
002		065	C	BE	NROLR1344FCZ1	Transport roller R1		
002		067	C	AL	LPLTP5855FCZZ	Transmit plate		
002		068	C	AD	MSPRD2922FCZ1	Transmit plate spring		
002		069	C	AV	NGERH1450FCZZ	One way gear	(20P/24T)	
002		071	C	AF	0EUGER0417L//	Delivery gear	(29T)	
002		073	C	AC	PSHEZ4958FCZZ	PID cover sheet		
002		074	C	AC	MSPRD2929FCZZ	Spring		
002		075	C	AB	PMLT-1279FCZZ	Delivery gate protect molt		
002		076	C	AC	PMLT-1292FCZZ	Psper entry R gate protect molt		
003						3.Stay unit		
003		001	C	AX	DHAI-3245FCPZ	SF compiler harness		
003		002	B	BG	RMOTS0872FCPZ	SF Joger Motor		
003		004	B	BG	RMOTS0871FCPZ	SF Pusher Motor		
003		005	C	AY	CFRM-1050FC03	Jogger drive frame		
003		007	C	AC	LPLTM5932FCZZ	Tray 2 sensor fixing plate		
003		008	B	AG	VHPGP1AQ73A-18	Photointerrupter Sensor	(GP1AQ73A)	
003		009	C	AG	PCLR-0466FCZZ	Idler roller		
003		010	C	AC	NPLYZ0265FCZZ	Pulley	(16T)	
003		011	C	AC	MSPRD2929FCZZ	Support spring		
003		012	B	AN	NBLTH0355FCZZ	Belt	(513)	
003		015	B	AM	NBLTH0346FCZZ	Belt (276)		
003		016	C	AC	PMLT-1269FCZZ	Integration tray damper cushion		
003		018	C	BK	LSOU-0185FCZ2	Adjustment tray		

BLK	UNIT	ITEM	RANK	PRICE	PARTS CODE	DESCRIPTION	SPEC	LOCATION
003		019	C	AW	LFIX-0551FCZ3	After edge fixing plate		
003		020	C	AE	LFIX-0557FCZ1	Belt fixing		
003		022	C	AC	MSPRD2949FCZ1	Paper detection spring		
003		023	C	AF	MLEVP0826FCZZ	Paper detect lever		
003		024	C	AU	LPLTP5845FCZZ	Adjustment plate F		
003		025	C	AA	PMLT-1249FCZZ	Jogger damper malt		
003		026	C	AU	LPLTP5844FCZZ	Adjustment plate F		
003		027	C	AG	NROLP1351FCZZ	Support roller		
003		028	C	AS	PGIDM1938FCZ2	Move paper guide B		
003		029	C	AR	PGIDM1937FCZ1	Move paper guide A		
003		030	C	AY	NSFTZ2655FCZZ	Pressure sheet		
003		031	C	AA	LPINS0133FCZZ	Pin	(2×10)	
003		032	C	AC	LPINS0326FCZZ	SP pin	(2×8)	
003		033	C	AA	XRESP50-06000	E type ring	(E5)	
003		034	C	AB	NBRGM0096FCZ1	Bearing		
003		036	C	AE	MSPRT2995FCZZ	Stopper gate fixer spring		
003		038	C	AC	PSHEP4897FCZZ	Delivery joint sheet		
003		039	C	AB	NBRGM0096FCZ1	Bearing		
003		040	C	BK	PGIDM1928FCZ1	Stopper gate		
003		041	C	AC	MSPRD2948FCZ4	Stopper spring		
003		042	C	AM	LSTPP0357FCP1	Stopper 2		
003		043	B	AU	NBLTH0345FCZZ	Flat belt		
003		044	C	AH	NPLYZ0381FCZ1	Pulley	(D22)	
003		045	C	AS	LHLDZ1468FCZZ	Pressure release holder		
003		046	C	AD	MSPRD2923FCZZ	Stopper gate spring		
003		049	C	AC	MSPRT2932FCZ1	Move paper guide spring		
003		050	B	AH	QSW-M0502FCZZ	Micro switch		
003		051	C	AM	LPLTM5867FCZZ	ST fulcrum plate		
003		052	C	AW	NSFTZ2652FCZZ	Pressure holder sheet		
003		053	C	AW	DHAI-3244FCPZ	SF front bottom harness		
003		056	B	AV	NBLTH0347FCZZ	ST Belt		
003		057	C	AE	0EUPPLY0412M//	Pulley	(20P)	
003		060	C	BE	LRALM0194FCZZ	Staple rail		
003		061	C	AH	LPLTP5869FCZZ	Rotation shading plate		
003		062	B	AG	VHPGP1AQ73A-18	Photointerrupter Sensor	(GP1AQ73A)	
003		063	C	AN	CPLTM5850FC01	Rail fixing plate F		
003		065	C	AF	LPLTM5848FCZ1	Movement motor fixing plate		
003		066	C	AH	CPLTM5851FC01	Rail fixing plate R		
003		069	C	AE	NBRGC0632FCZ1	Bearing		
003		070	C	AG	NPLYZ0384FCZZ	ST fulcrum pulley		
003		071	B	AM	NBLTH0356FCZZ	Belt	(222)	
003		072	C	AB	PSHEP4861FCZZ	22P Flange myler		
003		073	C	AH	NPLYZ0392FCZZ	ST motor pulley		
003		075	E	AX	CCOVP1607FC428	Lift motor B unit		
003		076	C	AM	LSTYM0278FCZ1	ST support plate		
003		077	C	AD	PSHEZ4871FCZZ	ST rotation protect sheet		
003		079	C	AQ	LFIX-0553FCZ1	ST fixing plate		
003		080	E	BQ	DUNT-0159QSZZ	Staple UN		
003		081	D	AT	GCAB-0964FCZ1	Staple cabinet		
003		083	C	AE	LFIX-0556FCZZ	ST belt fixing		
003		084	B	AG	VHPGP1AQ73A-18	Photointerrupter Sensor	(GP1AQ73A)	
003		085	C	AF	NSFTZ2644FCZZ	Staple rotation shaft		
003		086	C	AE	MSPRD2989FCZ2	ST harness fixing spring		
003		087	C	AK	MSPRD2924FCZ1	ST fixing spring		
003		089	C	AL	LPLTM5846FCZZ	Staple rotation plate		
003		090	C	AC	NPLYZ0375FCZZ	Pulley	(22T)	
003		091	C	AQ	MARMP0273FCZZ	Pressure arm		
003		092	B	BG	RMOTS0871FCPZ	SF Pusher Motor		
003		093	C	AB	PMLT-1273FCZZ	Stopper gate cution		
003		094	C	AC	PSHEZ4961FCZZ	SP guide sheet		
004						4.Delivery unit		
004		001	C	AD	NROLP1214FCZ1	Delivery follower roller upper		
004		003	C	AS	NSFTZ2645FCZZ	Delivery follower shaft		
004		004	C	AQ	MLEVP0822FCZ2	Actuator		
004		005	C	AC	MSPRT2993FCZ1	SF delivery support spring		
004		007	C	AQ	PGIDH1935FCZ1	Delivery upper PG		
004		008	C	AE	PGIDM1934FCZ1	Rib		
004		009	B	BH	PBRSS0212FCZZ	Tray 1 discharger brush		

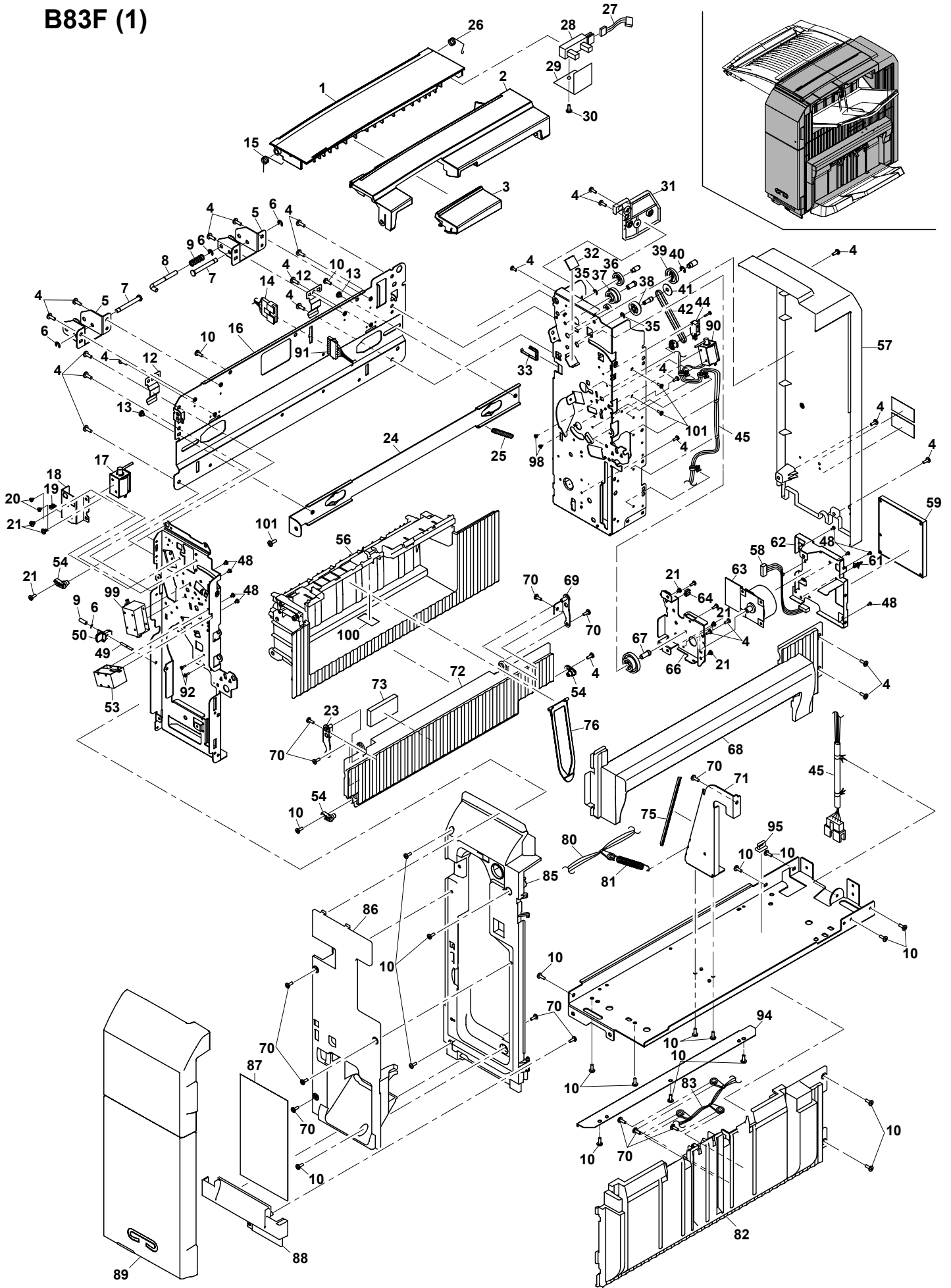
BLK	UNIT	ITEM	RANK	PRICE	PARTS CODE	DESCRIPTION	SPEC	LOCATION
004		010	C	AN	PGIDM1962FCZ1	Delivery roller guide		
004		011	C	AC	PMLT-1254FCZZ	Gate cushion upper		
004		012	C	BC	PGIDM1926FCZ2	S paper entry gate		
004		013	C	AF	0EUGER0417L//	Delivery gear	(29T)	
004		014	C	AG	LPLTP5861FCZZ	Drive transmit plate		
004		015	C	AX	DHAI-3245FCPZ	SF compiler harness		
004		016	C	AK	DHAI-3251FCPZ	SFS paper in harness		
004		017	C	AZ	PGIDM1936FCZ3	S paper entry paper guide under		
004		019	B	AP	QSW-Z0528FCZ1	SF paper in sensor		
004		021	C	AQ	NRRLR1352FCZZ	S paper entry roller		
004		022	C	AB	NBRGM0096FCZ1	Bearing		
004		024	C	AF	NGERH1448FCZZ	Gear	(16T)	
004		025	C	AC	MSPRT2933FCZZ	Drive transmit plate spring		
004		026	C	AC	LPINS0327FCZZ	SP pin	(2×10)	
004		027	C	AE	0EUROL0365L//	Support roller FN3		
004		028	C	AW	NSFTZ2656FCZ1	Staple support shaft		
004		029	C	AB	NBRGM0096FCZ1	Bearing		
004		030	C	AC	LPINS0326FCZZ	SP pin	(2×8)	
004		032	C	BF	NSFTZ2675FCZZ	Knob shaft		
004		034	C	AW	LFIX-0552FCZ2	Paper fixing		
004		035	C	AD	MSPRD2944FCZ2	Paper fixing spring		
004		036	C	AB	0EURNGE050-//	Resin ring	(E5)	
004		037	C	AB	PSHEZ4870FCZZ	Paper fixing damper sheet		
004		038	B	BM	PBRSS0216FCZZ	S paper entry discharger brush		
004		040	C	AC	MSPRC2945FCZ1	ST support spring		
004		041	C	BE	CPLTM5917FC01	Delivery side plate R		
004		043	C	AB	NGERH0209FCZ1	Delivery roller gear	(24T)	
004		044	C	AF	MLEVP0823FCZZ	Lock lever		
004		045	C	AN	NSFTZ2668FCZZ	Lock fulcrum boss		
004		047	C	AD	MSPRD2952FCZ1	Lock spring R		
004		048	C	AB	NBRGC0455FCZ1	Bearing		
004		050	C	BC	CARMM0274FC02	Crank arm R		
004		053	C	BE	CPLTM5916FC01	Delivery side plate F		
004		055	C	BC	CARMM0274FC01	Crank arm F		
004		056	C	AD	MSPRT2951FCZ1	S paper entry gate spring		
004		057	C	AD	MSPRD2928FCZ2	Lock spring F		
004		058	C	AN	NSFTZ2668FCZZ	Lock fulcrum boss		
004		060	C	AG	MARMP0275FCZ1	Link arm		
004		061	C	AD	MSPRD2988FCZ1	Rink arm return spring		
004		062	B	AG	VHPGP1AQ73A-18	Photo sensor	(GP1AQ73A)	
004		063	C	AB	PSHEZ4901FCZZ	Link arm damper sheet		
004		066	C	AN	MSPRD2947FCZZ	1 tray damper spring		
004		067	C	AQ	LPLTM5910FCZZ	Dumper SP fixing plate		
004		069	C	BE	LSOU-0188FCZ2	Delivery tray		
004		070	C	AP	LSOU-0177FCG5	Delivery tray T		
004		071	C	AU	CPLTM5853FC01	Delivery motor fixing plate		
004		073	B	BA	RMOTS0870FCPZ	ADU transport Motor Lower		
004		076	C	AH	LPLTM5857FCZZ	Electric discharger brush fixing plate		
004		077	C	AL	NPLYZ0382FCZZ	Motor pulley		
004		078	C	AX	NSFTZ2654FCZZ	Paper guide fixing shaft		
004		080	C	AR	NBRGY0661FCZZ	Bearing		
004		081	C	AR	NRRLR1363FCZZ	Delivery roller		
004		082	C	AC	MSPRT2997FCZZ	Delivery separato spring		
004		083	C	AX	NSFTZ2673FCZ1	Delivery separator shaft		
004		084	B	AZ	PBRSS0211FCZ1	Tray 2 discharger brush		
004		085	C	AZ	NSFTZ2671FCZ1	Joint shaft		
004		088	C	AH	NGERH1473FCZZ	Gear	(27T/22P)	
004		089	C	AK	NGERH1451FCZZ	Gear	(30T/31P)	
004		090	B	AK	NBLTH0360FCZZ	Belt	(S2M128)	
004		091	C	AZ	PGIDM1931FCZZ	Delivery paper guide upper		
004		092	C	AB	PMLT-1252FCZZ	Delivery PG malt		
004		093	C	AD	MSPRC3024FCZ2	Delivery lower spring		
004		094	C	AF	MLEVP0826FCZZ	Paper detect lever		
004		095	B	AG	VHPGP1AQ73A-18	Photointerrupter Sensor	(GP1AQ73A)	
004		096	C	AF	NPLYZ0396FCZZ	Pulley	(22P)	
004		097	B	AK	NBLTH0366FCZZ	Belt	(40S2M90)	
004		099	C	AC	LPINS0327FCZZ	SP pin	(2×10)	
004		100	C	AC	LPINS0326FCZZ	SP pin	(2×8)	

BLK	UNIT	ITEM	RANK	PRICE	PARTS CODE	DESCRIPTION	SPEC	LOCATION
004		101	C	AB	NBRGM0096FCZ1	Bearing		
004		102	B	AK	NBLTH0366FCZZ	Belt	(40S2M90)	
004		103	C	AF	NPLYZ0378FCZZ	Pulley	(22P S2M)	
004		105	C	AV	PGIDM1927FCP4	Rotation paper guide-FL		
004		106	C	AV	PGIDM1930FCP3	Rotation paper guide-FS		
004		107	C	AP	PGIDM1929FCZZ	Delivery fixing paper guide		
004		108	C	AV	PGIDM1946FCP4	Rotation paper guide-RL		
004		109	C	AA	PMLT-1251FCZZ	Rotation malt		
004		110	C	AC	PMLT-1250FCZZ	Stopper malt		
004		112	C	AP	0EUBRG0313L//	Bearing		
004		114	C	AR	NROLR1360FCZZ	Delivery lower rollar		
004		115	C	AR	PCLC-0309FCZZ	Torque limiter		
004		116	C	AB	NBRGC0455FCZ1	Bearing		
004		117	C	AP	0EUBRG0313L//	Bearing		
004		118	C	AV	NGERH1412FCZ1	One way gear	(23T)	
004		119	C	AB	NBRGM0096FCZ1	Bearing		
004		120	C	AK	PGUMS0292FCZ1	S paddler		
004		121	C	AP	MARMP0279FCZ1	Smoll paddler fixing arm		
004		122	C	BB	NSFTZ2662FCZ1	Delivery roller shaft		
004		123	C	AC	LPINS0326FCZZ	SP pin	(2×8)	
004		124	B	AW	RPLU-0348FCPZ	Paddler solenoid		
004		125	B	AG	VHPGP1AQ73A-18	Photointerrupter Sensor	(GP1AQ73A)	
004		126	C	AC	LPLTM5932FCZZ	Tray 2 sensor fixing plate		
004		127	C	AK	MLEVP0821FCZZ	Full detection actuator		
004		129	C	AB	NBRGC0188FCZZ	Bearing		
004		130	C	AF	MARMP0277FCZ5	Smoll paddler rotation arm		
004		131	C	AC	MSPRT2972FCZ1	Smoll paddler rotate spring		
004		132	C	AL	CPLTM5854FC01	EV belt fixing plate		
004		133	C	AG	LFIX-0555FCZ2	EV belt fixing		
004		134	C	AF	NPLYZ0383FCZZ	Pulley	(24P)	
004		135	B	AN	NBLTH0348FCZZ	EV Belt		
004		136	C	AG	NGERR1408FCZZ	EV rack gear		
004		138	C	AB	NGERH0863FCZZ	Pick up roller gear	(18T)	
004		140	C	AC	XDSSD20-12000	SP pin	(2×10)	
004		143	C	AE	PCLR-0469FCZZ	Lift UP roller		
004		144	C	AB	NBRGM0096FCZ1	Bearing		
004		147	C	AC	MSPRT2930FCZ1	Upper limit sensor fixing plate spring		
004		149	C	BA	LPLTM5849FCZZ	Upper limit sensor fixing plate		
004		152	C	AD	MSPRT2925FCZZ	Full detection spring		
004		153	C	BK	CPLTM5852FC01	EV fixing plate		
004		154	C	AS	DHAI-3229FCPZ	SF elevator harness		
004		155	C	AX	NSFTZ2653FCZZ	Pinion shaft		
004		156	C	BC	LPLTM5866FCZZ	Tray 2 fixing plate		
004		157	C	AB	PMLT-1253FCZZ	Tray 2 cushion		
004		158	C	AG	NGERR1408FCZZ	EV rack gear		
004		160	C	AF	DHAI-3231FCPZ	SF discharger brush earth harness		
004		161	C	AW	NROLR1343FCZZ	Support roller		
004		162	C	AZ	NSFTZ2674FCZZ	Delivery drive shaft		
004		163	E	AX	CCOVP1607FC418	Lift motor A unit		
004		165	C	AC	PSHEZ4959FCZ1	SCID2 cover sheet		
004		166	C	AA	LPINS0133FCZZ	Spring pin		
004		167	C	BN	LSOU-0184FCT3	Off set tray		
004		169	C	AC	LX-WZ0451FCZZ	Washer	(4x14x0.8)	
005						5.Packing material & Accessories		
005		001	D	AA	SSAKA0006UCZZ	Vinyl bag		
005		002	D	AZ	SPAKA6179FCZ1	Top add		
005		003	D	AA	SPAK-545ECCZZ	Vinyl bag	(100×220)	
005		004	D	AD	SPAKA6195FCZZ	ST actuator fixing cushion		
005		006	E	BC	CCASA0012QS31	Staple cartrige unit		
005		007	C	AE	LPINS0328FCZZ	Pin		
005		008	D	BA	SPAKA6180FCZZ	Bottom add		
005		009	D	BG	SPAKC6368FCZZ	Packing case		
005		010	D	AG	SPAKA6190FCZZ	ST fixing cushion		
005		012	C	AD	0EULAB0404K//	Caution label		
005		013	C	AD	LPLTM5807FCZZ	OP fixing plate R		
005		014	C	AE	TLABZ4708FCZZ	ST label		
006						6.SF Main PWB		
006		001	C	BB	RDTCT0154FCZZ	Switch		F3

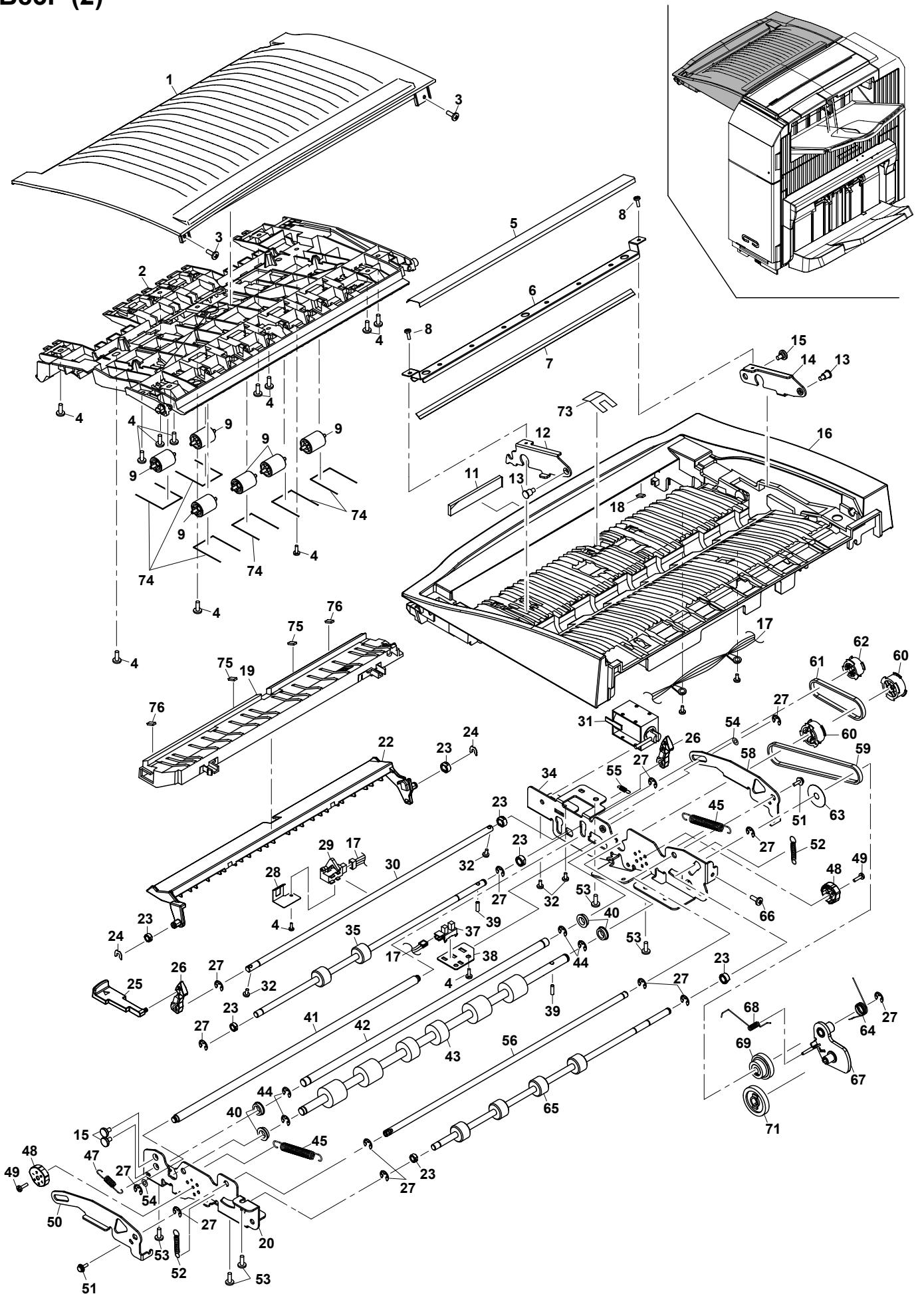
B83F

BLK	UNIT	ITEM	RANK	PRICE	PARTS CODE	DESCRIPTION	SPEC	LOCATION
006		002	E	BB	0EUUNT27C011P	ROM unit		IC5
006	901		E	BU	CPWBN1478FC35	SF Main PWB		

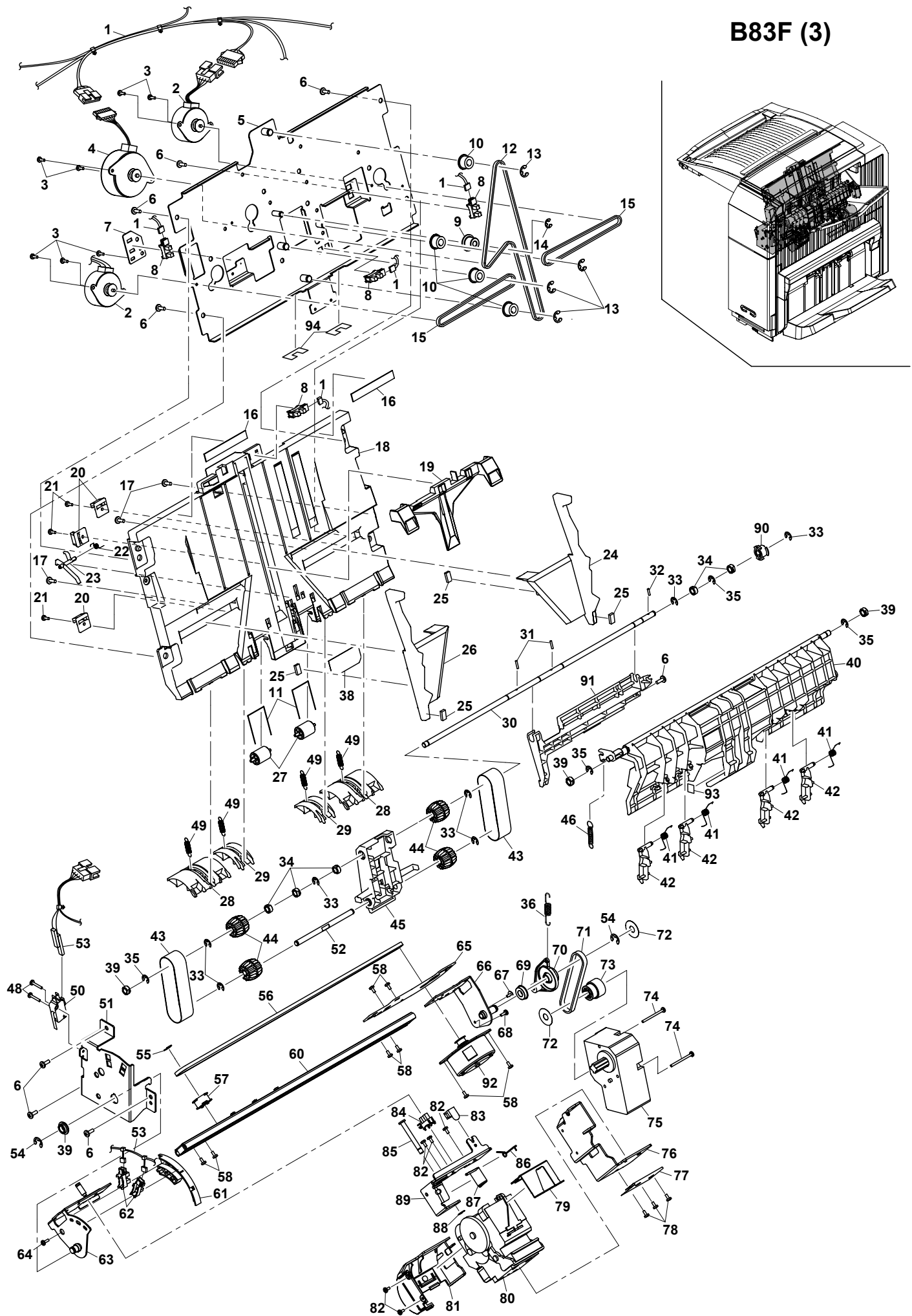
B83F (1)



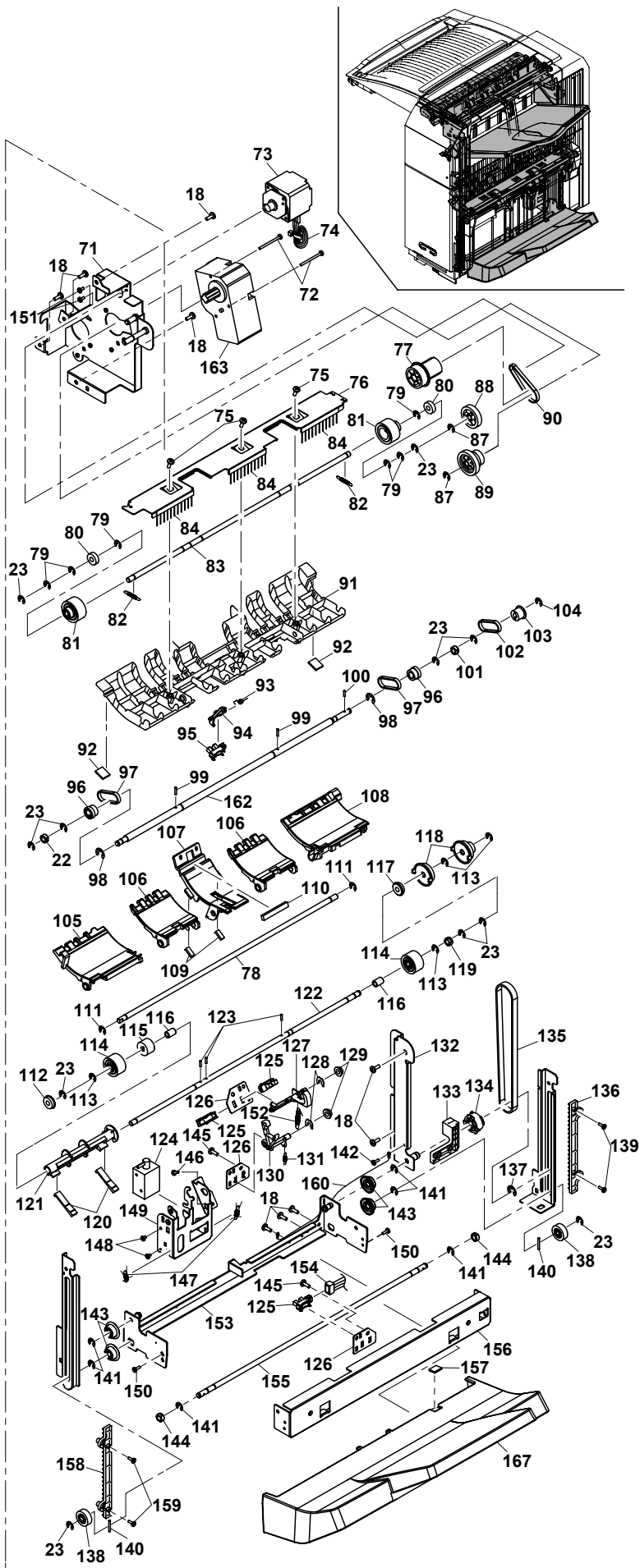
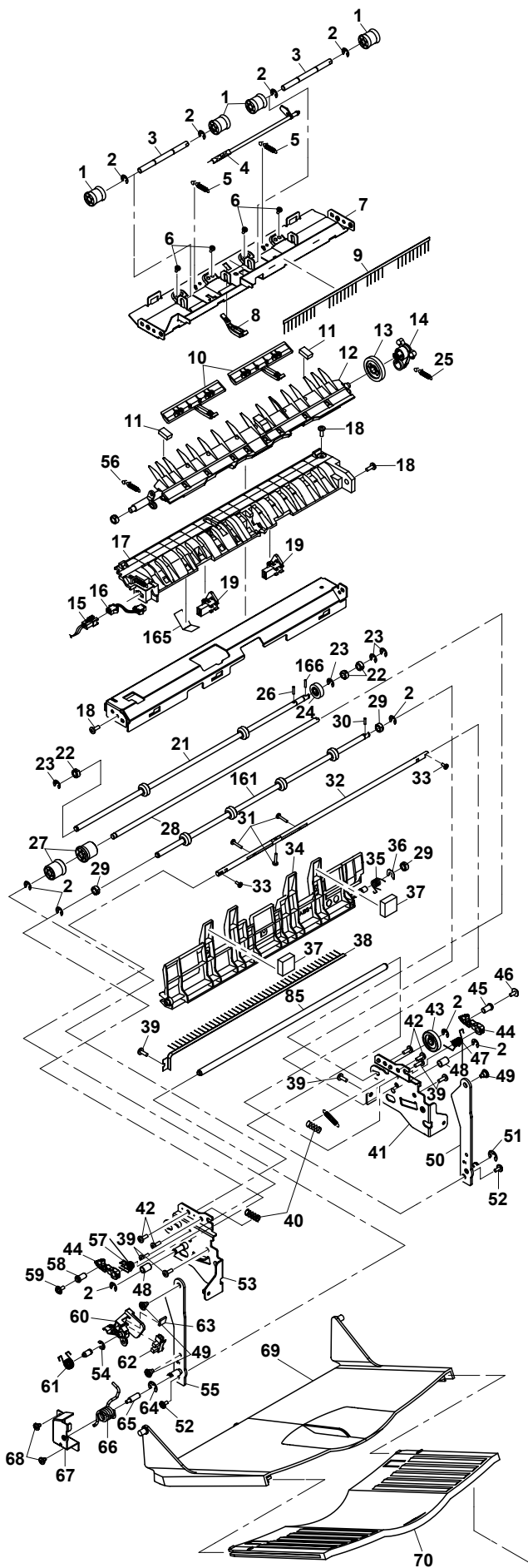
B83F (2)



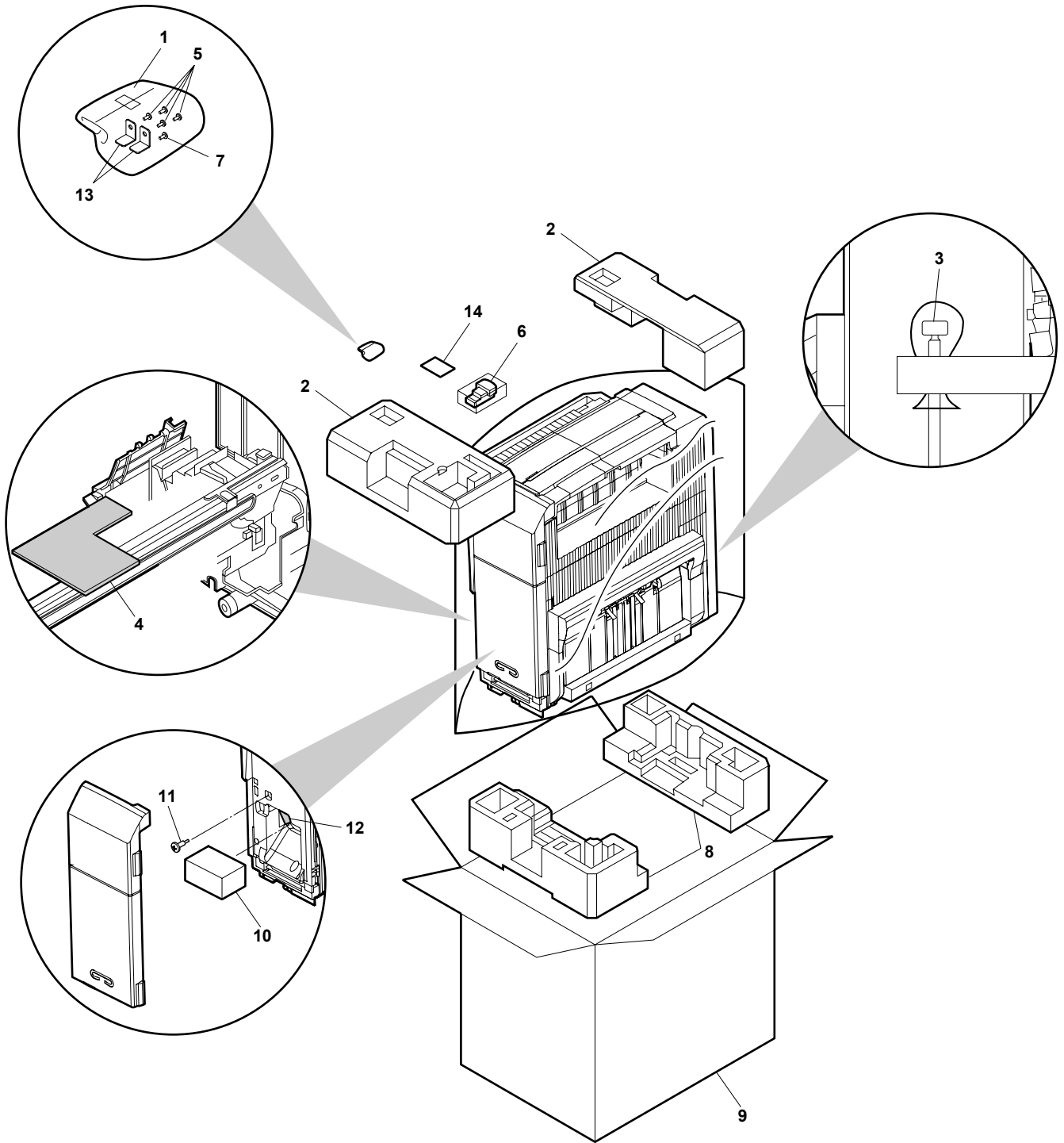
B83F (3)



B83F (4)



B83F (4)

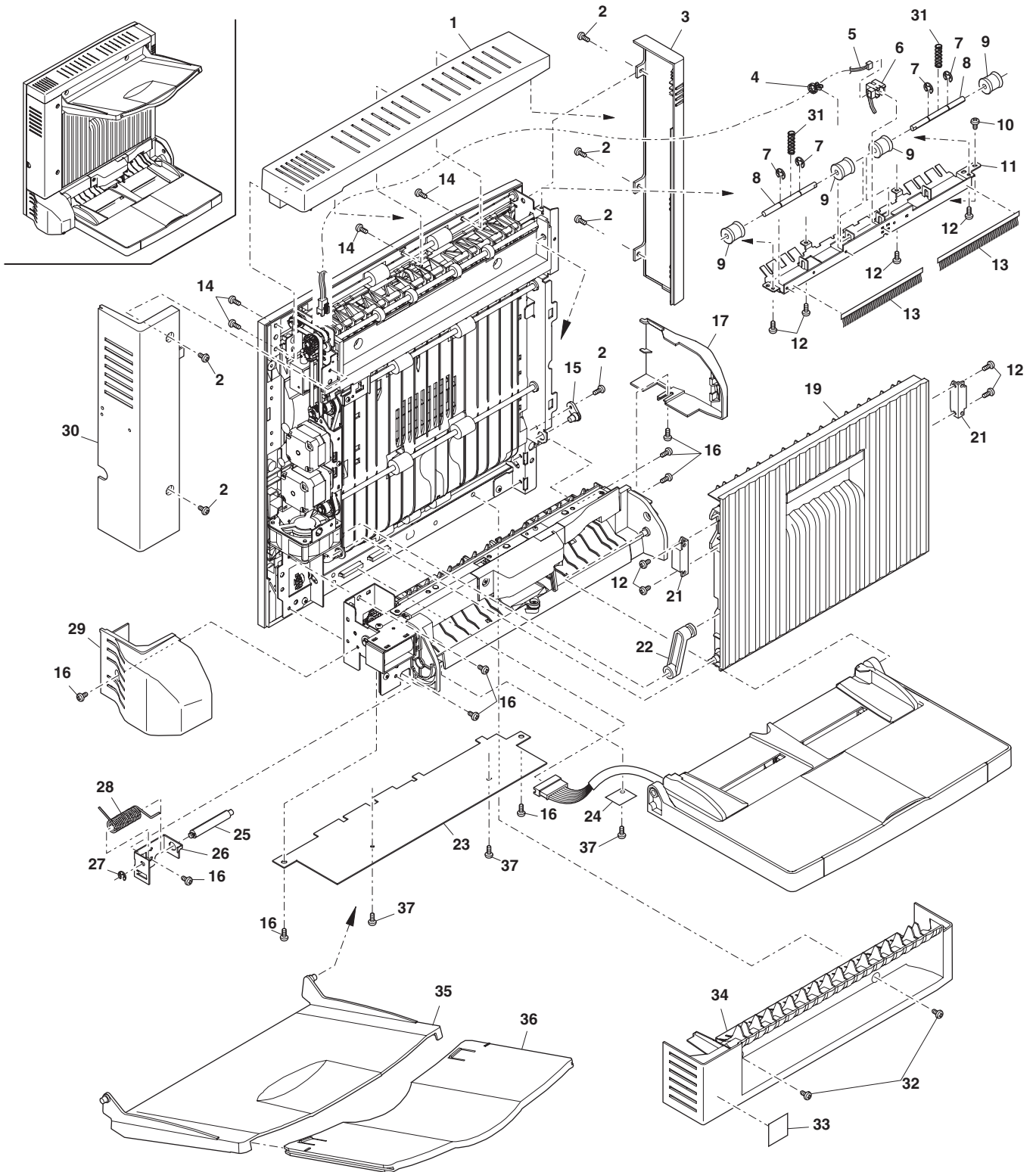


BLK	UNIT	ITEM	RANK	PRICE	PARTS CODE	DESCRIPTION	SPEC	LOCATION
001						1.Exteriors		
001		001	D	BE	PCOVP1571FCT1	ADU cover upper		
001		003	D	BB	PCOVP1568FCT2	ADU cover front		
001		004	C	AA	LBNDJ0013FCZ1	Mini clump	(MWSET2-1-01)	
001		005	C	AL	DHAI-3211FCPZ	ADU delivery sensor harness		
001		006	B	AL	QSW-Z0531FCZZ	Delivery jum sensor		
001		008	C	AS	NSFTZ2613FCZZ	Delivery roller shaft		
001		009	C	AD	NROLP1214FCZ1	Delivery support roller upper		
001		011	C	AL	LPLTM5802FCZ1	Delivery reinforce plate		
001		013	B	BE	PBRSS0210FCZZ	Delivery discharger glass		
001		015	C	AE	LHLDZ1469FCZZ	Upper transport fulcrum holder		
001		017	D	AY	PCOVP1574FCT1	Manual paper feed cover front	(B83DB)	
001		019	D	BR	GDOR-0031FCT4	ADU open/close door		
001		021	C	AF	PMAGT0072FCZZ	Magnet catch	(1.5KG)	
001		022	C	AF	MARMP0263FCZZ	Open/close door arm		
001		023	D	BA	PCOVP1605FCZZ	Manual paper feed back cover	(B83DB)	
001		024	C	AC	PSHEZ4908FCZZ	Tray harness fixing sheet	(B83DB)	
001		025	C	AV	NSFTZ2661FCZZ	Tray support shaft	(B83DB)	
001		026	C	AG	LPLTM5899FCZZ	Tray fulcrum plate	(B83DB)	
001		028	C	AL	MSPRD2967FCZZ	Tray fulcrum spring	(B83DB)	
001		029	D	BB	PCOVP1575FCT1	Manual paper feed cover rear	(B83DB)	
001		030	D	BE	PCOVP1569FCT1	ADU cover rear		
001		031	C	AB	MSPRC2885FCZZ	Delivery support spring		
001		033	D	AF	TLABZ4450FCZZ	ADU caution label	(B83D)	
001		034	D	BL	PCOVP1570FCN3	ADU cover lower	(B83D)	
001		035	C	AR	LSOU-0179FCZ5	Delivery tray 1	(B83DB)	
001		036	C	AP	LSOU-0177FCG5	Delivery tray T	(B83DB)	
002						2.Rear frame section		
002		001	C	AC	MSPRC2982FCZZ	ADU earth spring T1		
002		002	B	AG	VHPGP1AQ73A-18	Photo sensor	(GP1AQ73A)	
002		004	C	AP	LPLTM5800FCZZ	Body fixing plate upper		
002		007	C	AT	NSFTZ2610FCZ1	Support roller shaft		
002		008	C	AC	NROLP0896FCZZ	Transport support roller		
002		009	C	AC	MSPRT2882FCZZ	Support roller spring T2		
002		010	B	AZ	QSW-Z0546FCZZ	ADU paper stop position 1 sensor		
002		012	C	AC	MSPRD2966FCZZ	Actuator spring T4		
002		013	C	AL	MLEVP0808FCZZ	Delivery actuator		
002		014	C	AM	DHAI-3214FCPZ	ADU transport sensor harness		
002		015	E	BN	CPWBN1643FC32	ADU Drive PWB		
002		017	C	AH	DHAI-3255FCPZ	ADU stop position 2 harness		
002		019	C	AA	LX-WZ2028SCZZ	Washer	(φ3x12)	
002		020	C	AC	LHLDW1500FCZZ	Twist lock	(TL-350)	
002		021	C	AA	XWHS730-08100	Washer		
002		022	C	AG	LHLDZ1481FCZZ	Support roller holder T4		
002		023	C	AB	MSPRC2881FCZZ	Support roller spring T1		
002		024	C	AY	NSFTZ2669FCZZ	Support roller shaft T4		
002		025	C	AC	LHLDW1489FCZZ	Micro wire saddle	(MWSEA2-3-01)	
002		027	C	AG	NROLP1356FCZZ	Support roller D		
002		028	C	AD	0EUHLD0309G//	Micro wire saddle	(MWSEA2-4-01)	
002		029	C	AZ	DHAI-3237FCPZ	ADU paper feed interface harness	(B83DB)	
002		032	C	AE	MSPRD2986FCZZ	ADU earth spring T4		
002		033	C	AH	LPLTM5801FCZZ	Body fixing reinforce plate lower		
002		034	C	AF	MSPRD2985FCZZ	ADU earth spring T2		
002		035	C	BB	DHAI-3213FCPZ	ADU body interface harness		
002		036	C	AC	LBNDJ0071FCZZ	Wire band		
002		037	C	AB	LBNDJ0014FCZ1	Wire band		
002		038	C	AH	PGSK-0052FCZZ	ADU cushion A		
002		039	C	AP	0EUCOR0307L//	Core		
002		040	C	AA	LBNDJ0013FCZ1	Wire band		
003						3.Multi manual paper feed unit(B83DB)		
003		001	C	AH	PGIDM1907FCZ1	Manual paper feed gate		
003		002	C	AB	PMLT-1268FCZZ	Pick up soundproof cution		
003		005	C	AV	LPLTM5805FCZZ	Paper feed reinforce plate		
003		006	C	AP	LPLTM5907FCZZ	Manual paper feed sensor fixing plate		
003		008	C	BD	LSTYP0282FCT4	Paper feed support plate		
003		009	B	AG	VHPGP1AQ73A-18	Photo sensor	(GP1AQ73A)	
003		010	D	AQ	PCOVP1573FCTZ	Sensor cover		
003		011	D	AX	PCOVP1603FCT2	Roller cover		

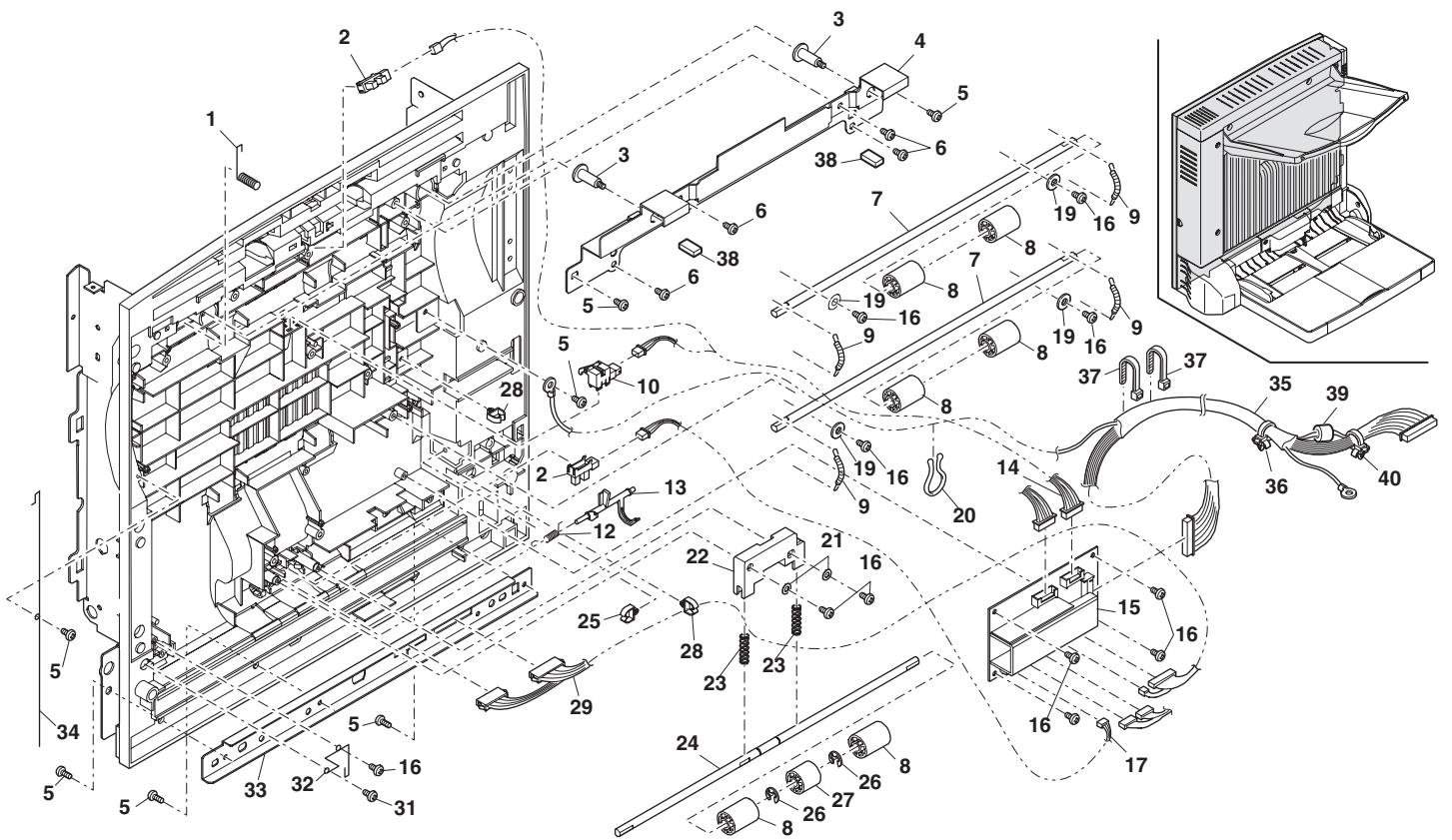
BLK	UNIT	ITEM	RANK	PRICE	PARTS CODE	DESCRIPTION	SPEC	LOCATION
003		012	C	AC	MSPRD2886FCZ1	Manual actuator spring		
003		013	C	AL	MLEVP0839FCZZ	MPF paper detect actuator		
003		015	C	AP	NROLR1317FCZZ	Separate roller		
003		016	C	AK	NPLYZ0397FCZZ	Paper feed roller pulley	(28P)	
003		018	C	AC	NBRGC0136FCZZ	Bearing	(B-F6-63)	
003		019	C	AN	NROLR1312FCZZ	Pick up roller		
003		020	C	AC	NPLYZ0398FCZZ	Pick up roller pulley	(22P)	
003		021	C	AS	NSFTZ2616FCZZ	Pick up shaft		
003		022	C	AF	LHLDZ1483FCZZ	Paper feed rotate plate		
003		024	C	AC	MSPRT2889FCZZ	Pick up spring		
003		025	C	AP	LPLTM5806FCZZ	Link fixing plate		
003		027	C	AE	MARMP0265FCZZ	Pick up link arm		
003		028	C	AH	MARMP0264FCZ1	Pick up arm		
003		029	C	AC	MSPRT2888FCZZ	Munual solenoid spring		
003		030	C	AY	NSFTZ2614FCZZ	Paper feed shaft		
003		031	C	AL	DHAI-3239FCPZ	MPF paper feed detect harness		
003		035	C	AU	LSTYP0283FCT1	Tray support plate F		
003		036	C	AC	PSHEP4889FCZZ	Paper feed PG sheet		
003		037	C	AQ	PSHEZ4960FCZZ	Pick up pad		
003		038	C	AQ	PGIDM1955FCZ1	Pad front PG		
003		039	D	BE	LDAIU0629FCT3	Paper feed base		
003		040	B	AW	RPLU-0338FCPZ	ADU gate solenoid		
003		041	C	AE	MARMP0266FCZZ	Stopper link arm		
003		042	C	AC	MSPRD2890FCZZ	Stopper spring		
003		043	C	BA	PSHT-0091FCZZ	Shutter		
003		044	C	AA	PMLT-1267FCZZ	Shutter soundproof cushion		
003		046	D	AF	LDAIU0630FCZZ	Separate pad base		
003		047	C	AG	MLEVP0810FCZZ	Pressure lever		
003		048	C	AC	MSPRC2887FCZ1	Separate spring		
003		049	C	AE	MSPRP2970FCZZ	Protection plate spring		
003		050	C	AF	LPLTM5804FCZZ	Separate spring plate		
003		052	C	AS	DHAI-3215FCPZ	MPF paper feed harness		
003		053	C	AX	LSTYP0284FCT2	Tray support plate R		
003		056	B	AZ	RPLU-0342FCPZ	MPF pick up solenoid		
003		058	B	AY	PCLC-0304FCZZ	MPF paper feed clutch		
003		059	D	AG	LFRM-1035FCZZ	Clutch frame		
003		060	C	AA	LHLDW1009ACZZ	Mini clunp	(MWSET2-1-01)	
003		061	C	AF	NGERH1402FCZZ	Manual paper feed joint gear	(20T)	
003		062	C	AG	NGERH1403FCZZ	Gear	(17/24T)	
003		063	C	AW	MARMP0281FCZZ	Manual paper feed joint arm		
003		064	C	AC	MSPRD2891FCZZ	Separate spring		
003		066	C	AR	PSHEZ4864FCZZ	Separate pad		
003		067	C	AA	PMLT-1275FCZZ	Paper feed base soundproof cushion		
003		068	C	AC	NBRGC0136FCZZ	Bearing		
004						4.Multi manual paper feed tray unit(B83DB)		
004		001	C	AT	PGIDM1909FCT1	Manual paper feed guide rear		
004		002	C	AT	PGIDM1908FCT1	Manual paper feed guide front		
004		003	B	AG	VHPGP1AQ73A-18	Photo sensor	(GP1AQ73A)	
004		004	C	BM	LSOU-0182FCT2	Manual paper feed tray upper		
004		005	C	BF	PGIDM1910FCT4	Extension guide		
004		006	D	BA	PCOVP1604FCTZ	Extension guide cover		
004		008	C	AC	MLEVP0035QSE1	Original detect actuator		
004		009	C	AK	LHLDZ1479FCZZ	Harness holder		
004		010	C	BN	LSOU-0183FCT1	Manual paper feed tray lower		
004		011	C	AF	LPLTP5743FCZZ	Width detect fixing plate		
004		012	C	AA	MSPRP2830FCZZ	Width detect plate spring		
004		013	C	AF	NGERP1385FCZZ	Width detect pinion gear		
004		014	C	AA	XWHS730-08100	Washer		
004		015	C	AE	NGERR1386FCZZ	Width detect rack		
004		016	C	AV	DHAI-3238FCPZ	MPF tray harness		
004		017	C	AA	LBNDJ0013FCZ1	Wire band		
004		018	D	AF	TLABZ4450FCZ1	A+MPF caution label		
004		019	E	BK	CPWBF1501FC33	MPF width detect volume PWB		
004		020	C	AF	PSHEZ4950FCZZ	Manual guide pad		
005						5.Paper transport unit		
005		002	C	AK	MLEVP0807FCZZ	Paper feed actuator		
005		003	C	AC	MSPRD2883FCZZ	Actuator spring T1		
005		004	C	AT	NSFTZ2610FCZ1	Support roller shaft		

BLK	UNIT	ITEM	RANK	PRICE	PARTS CODE	DESCRIPTION	SPEC	LOCATION
005		005	C	AB	MSPRC2881FCZZ	Support roller spring T1		
005		006	C	AF	LHLDZ1461FCZZ	Support roller holder		
005		008	C	AC	NROLP0896FCZZ	Transport support roller		
005		010	C	AB	PSHEZ4939FCZZ	Reverse gate protection sheet B		
005		011	D	BD	GCAB-0948FCT2	ADU delivery cabinet		
005		012	B	AG	VHPGP1AQ73A-18	Photo sensor	(GP1AQ73A)	
005		013	C	AW	NROLR1324FCZZ	Transport roller T1		
005		014	C	BD	PGIDM1906FCZZ	Reverse gate		
005		015	C	AY	NROLR1328FCZZ	Delivery roller		
005		016	C	BD	NROLR1325FCZ1	Transport roller T2		
005		017	C	BD	NROLR1326FCZ1	Transport roller T3		
005		018	C	AX	NROLR1327FCZZ	Transport roller T4		
005		020	C	AC	NBRGC0136FCZZ	Bearing	(B-F6-63)	
005		022	C	AE	NBRGP0690FCZZ	Gate bearing		
005		025	C	AB	LPINS0165FCZZ	Pin	(2x8)	
005		026	C	AC	NPLYZ0375FCZZ	Pulley	(22T)	
005		030	C	AQ	LPLTM5912FCZZ	Board to install the open/close sensor		
005		033	C	AV	LPLTM5798FCZZ	Motor fixing plate	(B83D)	
005		034	B	BH	RMOTS0869FCPZ	ADU transport motor upper		
005		035	B	BH	RMOTS0869FCPZ	ADU transport motor upper	(B83D)	
005		035	B	BA	RMOTS0870FCPZ	ADU transport motor lower	(B83DB)	
005		036	C	AV	LPLTM5799FCZZ	Fan fixing plate		
005		037	B	BB	NFANP0064FCPZ	ADU cooling fan motor		
005		038	C	AC	MSPRT2884FCZZ	ADU gate return spring		
005		039	C	AE	MLEVP0806FCZZ	Solenoid lever		
005		042	C	AC	LPLTM5797FCZZ	Gate solenoid fixing plate		
005		043	B	AW	RPLU-0338FCPZ	ADU gate solenoid		
005		045	C	AE	PCLR-0464FCZZ	Joint collar	(B83DB)	
005		046	C	AF	NGERH1402FCZZ	Manual paper feed joint gear	(20T)(B83DB)	
005		047	C	AG	NPLYZ0395FCZZ	Pulley	(S2M40)	
005		049	C	AT	NCPL-0049FCBZ	Multi separate coupling(with One way)		
005		052	C	AB	NGERH0863FCZZ	Pick up roller gear	(18T)	
005		053	C	AF	NGERH1448FCZZ	Gear	(16T)	
005		055	C	AV	NSFTZ2612FCZZ	Body position shaft rear		
005		056	C	AA	LBNDJ0013FCZ1	Wire band		
005		057	C	AA	LHLDW1009ACZZ	Mini clump	(MWSET2-1-01)	
005		058	C	AS	DHAI-3212FCPZ	ADU solenoid harness		
005		059	C	AV	NSFTZ2611FCZZ	Body position shaft front		
005		062	C	AA	LPINS0133FCZZ	Pin	(2x10)	
005		064	C	AB	PSHEZ4907FCZ1	Reverse gate protect sheet		
005		066	C	AQ	PGSK-0053FCZZ	ADU cushion B		
005		067	C	AG	NBRGC0691FCZZ	Bearing		
006						6.Packing & Materials(B83D)		
006		001	D	AR	SPAKA6175FCZZ	ADU add A		
006		002	E	AF	0EUSAK0615P//	Vinyl bag	(740x900)	
006		003	D	AA	SPAK-545ECCZZ	Vinyl bag	(100X220)	
006		004	D	AR	SPAKA6176FCZZ	ADU add B		
006		005	D	BB	SPAKC6370FCZZ	Packing case ADU		
007						7.Packing & Materials(B83DB)		
007		001	D	AX	SPAKA6177FCZZ	A+MPF add A		
007		002	D	AV	SPAKA6196FCZZ	Vinyl bag	(100X400)	
007		003	D	AA	SPAK-545ECCZZ	Vinyl bag	(100X220)	
007		004	E	AF	0EUSAK0615P//	Vinyl bag	(740X900)	
007		005	D	AX	SPAKA6178FCZZ	A+MPF add A		
007		006	D	BB	SPAKC6371FCZZ	Packing case A+MPF		
008						8.ADU Drive PWB		
008	901		E	BN	CPWBN1643FC32	ADU Drive PWB		

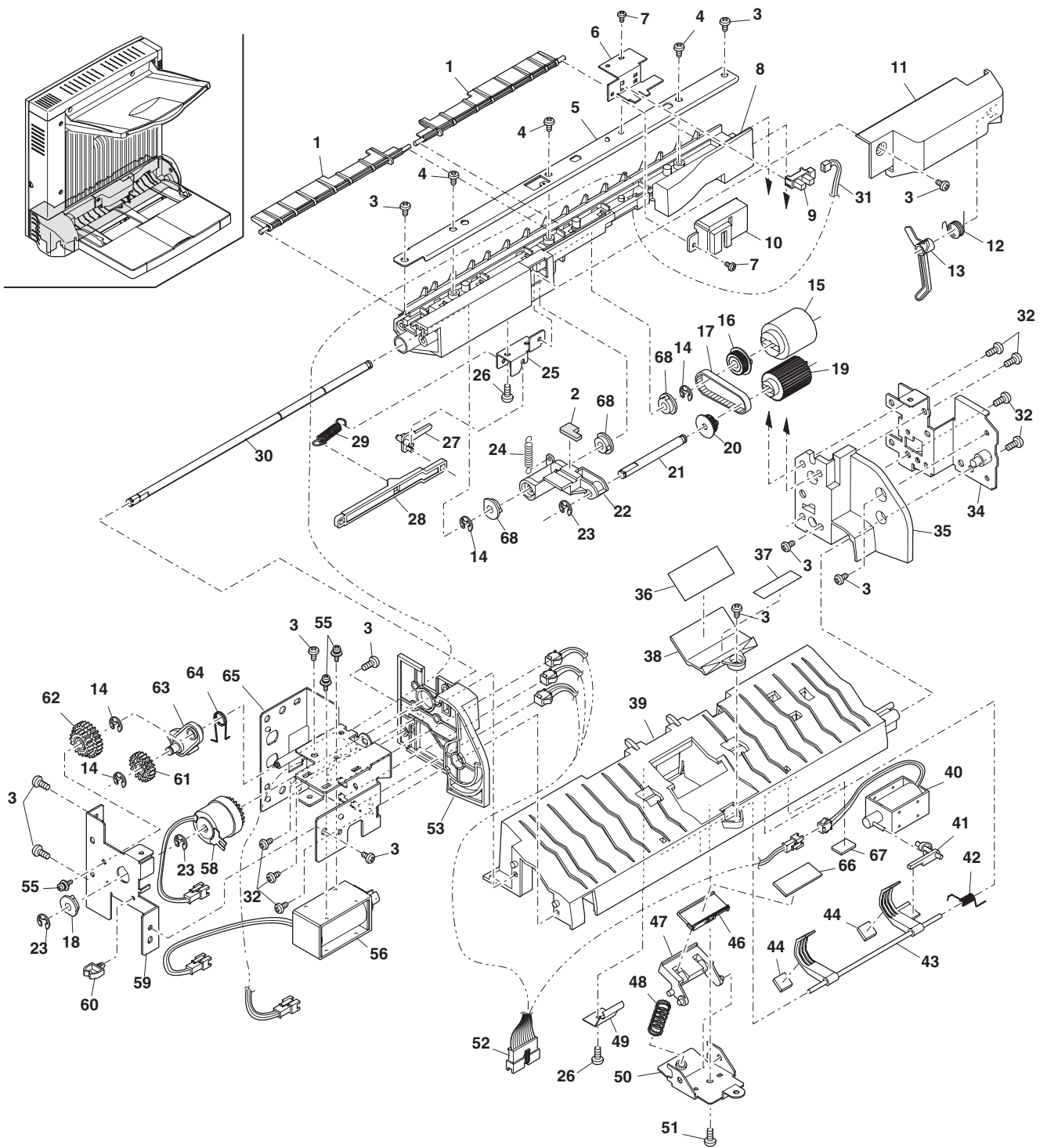
B83D
B83DB (1)



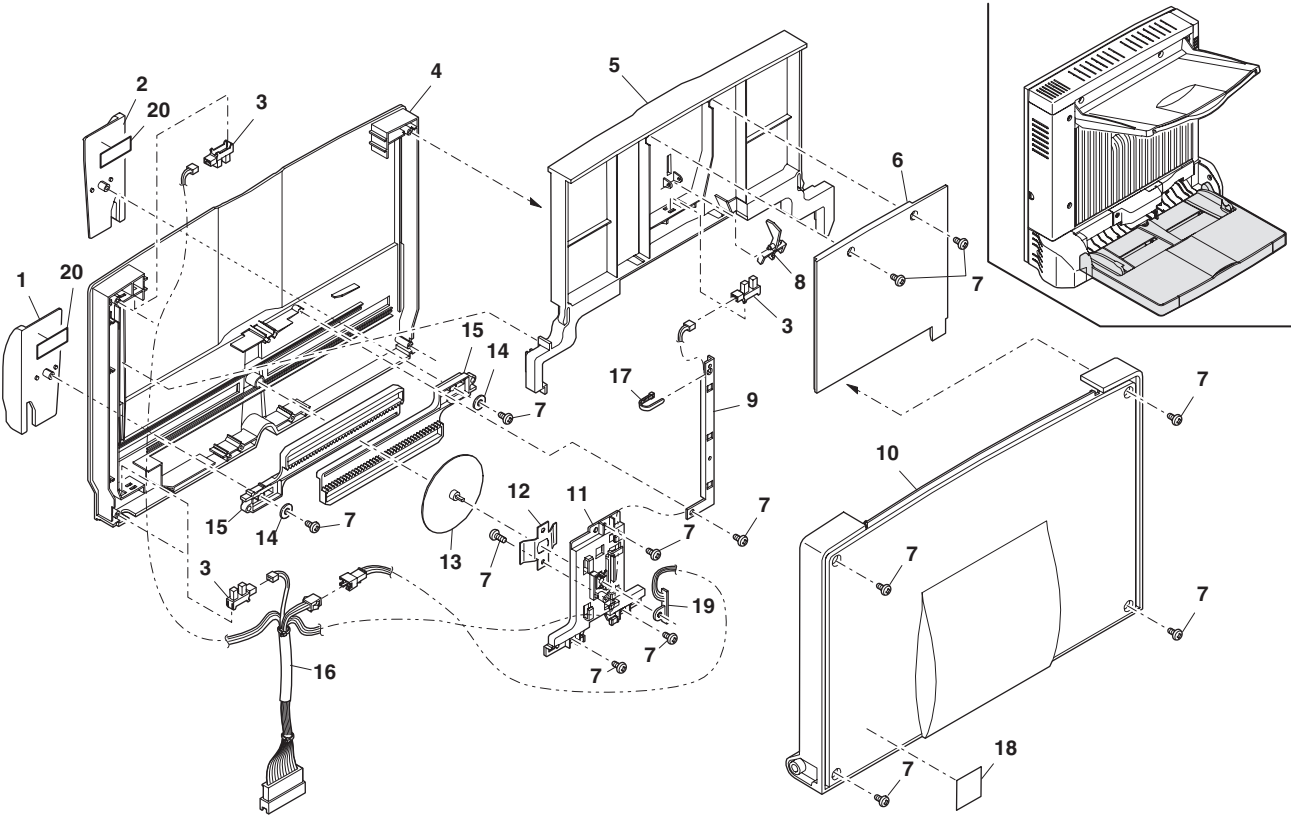
B83D
B83DB (2)



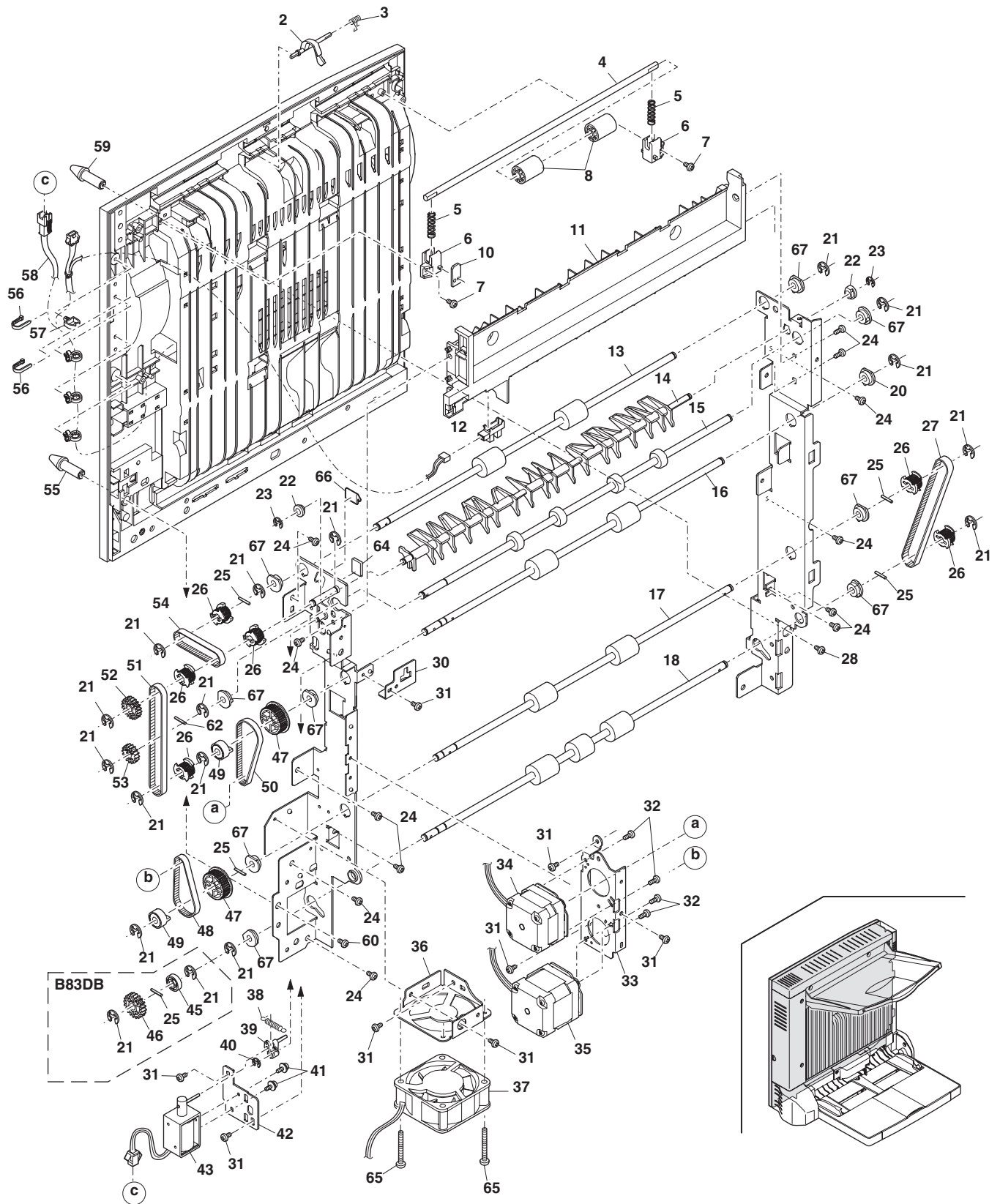
B83D B83DB (3)



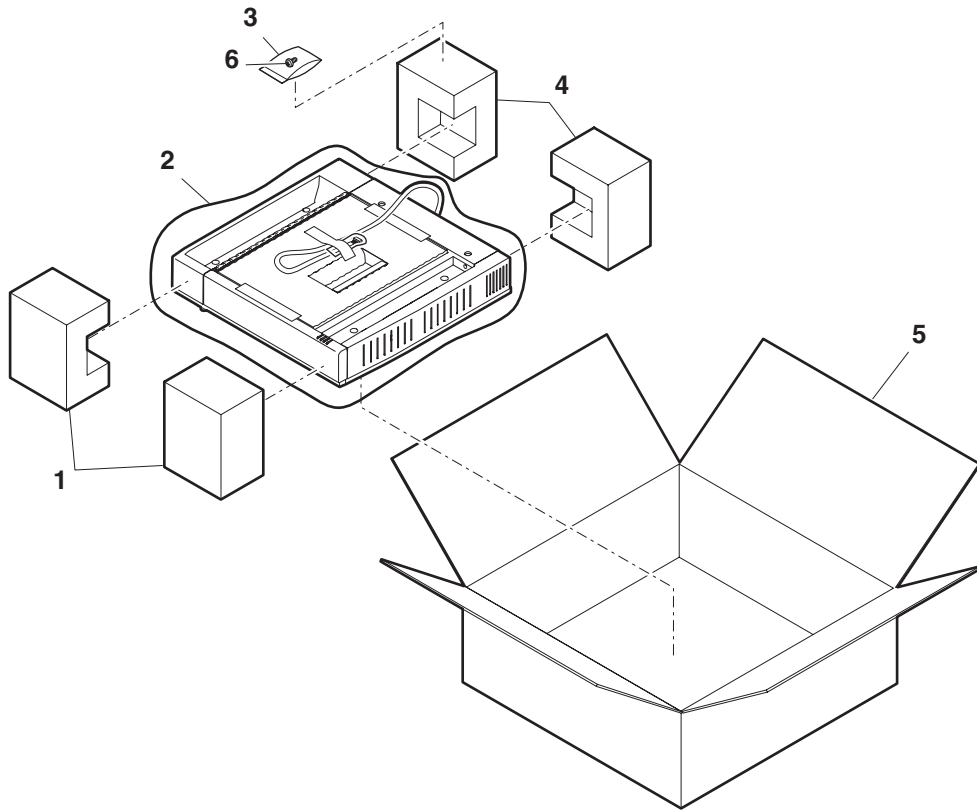
B83D
B83DB (4)



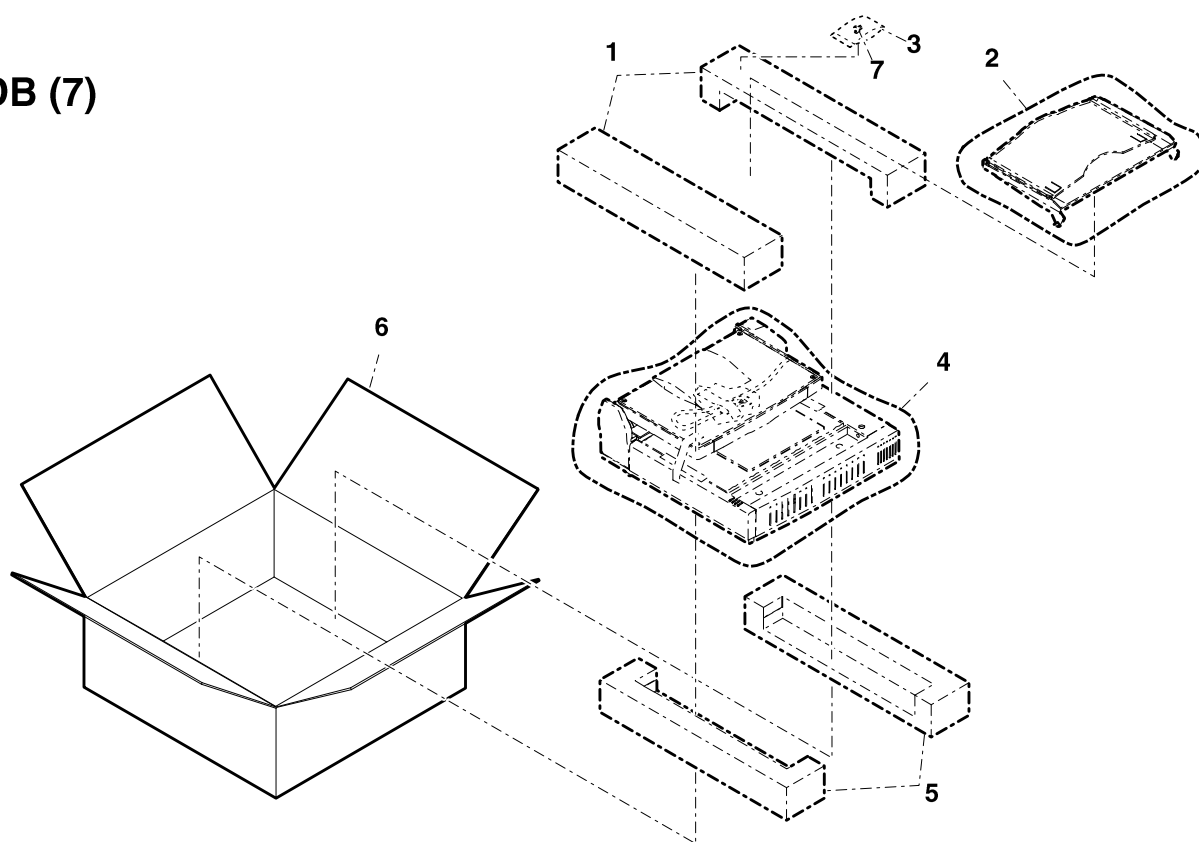
B83D B83DB (5)



B83D (6)



B83DB (7)



BLK	UNIT	ITEM	PR	PRI	PARTS_CODE	E	DESC	SPEC	LOCATION
001							1.Mounting Hardware		
001		001	C	BD	0CW4A18928000		BASE		
001		002	D	BB	0CW4A18946000		ADU COVER		
001		003	C	AR	0CW4A18876000		STAY		
001		004	C	AZ	0CW4A18918000		FOOT STAND		
001		005	C	AR	0CW4A18942000		STAY		
001		006	C	AN	0CW4A18919000		BRACKET CASTER		
001		007	C	AH	0CW4123P058//		PLATE EARTH		
001		008	C	AH	0CW4A18943000		STOPPER		
001		009	C	AU	0CW4B10389000		STAY		
001		010	C	BG	0CW4F11880000		FRAME		
001		011	C	AH	0CW4A18920000		BRACKET PIN		
001		012	D	BC	0CW4A18932000		COVER STAND FRONT		
001		013	D	BC	0CW4A18933000		COVER STAND REAR		
001		014	D	BF	0CW4A18931000		COVER FOOT		
001		015	D	AG	0CW4A18956000		COVER AJUST FRONT		
001		016	D	AG	0CW4A18957000		COVER AJUST REAR		
001		017	C	AD	0CW4B10384000		CAP STAND		
001		018	C	AH	0CW4A18952000		PLATE EARTH FRONT		
001		019	C	AK	0CW4A18953000		PLATE EARTH REAR		
001		022	C	AH	0CW4A18941000		PAWL LATCH		
001		023	C	BC	0CW4A18940000		PLATE LATCH		
001		024	D	AS	0CW4A18929000		COVER		
001		025	C	AH	0CW4A18921000		CASTER		
001		026	C	AK	0CW4A18926000		BRACKET FRONT		
001		027	C	AK	0CW4A18927000		BRACKET REAR		
001		028	D	AN	0CW4A18930000		COVER		
001		029	C	AD	0CWFS26593000		ROLLER GUIDE		
001		030	C	AR	0CW4A18934000		PLATE RAIL GUIDE		
001		031	C	AX	0CW4A18936000		PLATE GUIDE RAIL		
001		032	C	AH	0CW4A18938000		SHAFT ROLLER		
001		033	C	AN	0CW4A18937000		PLATE ROLLER		
001		034	C	AH	0CW4A18910000		SPRING EARTH		
001		035	C	AF	0CW4A18939000		ROLLER		
001		036	C	AC	0CWFC30661000		CLIP		
001		037	C	AM	0CW4A18923000		BRACKET		
001		038	C	AR	0CW4A18922010		BRACKET		
001		042	D	AL	0CW4A18892000		COVER		
001		043	C	AF	0CW4A18935000		SHAFT ROLLER		
002							2.Exterial Covers, Panels etc.		
002		001	C	AG	0CW4A18857000		KNOB JAM CLEANING		
002		002	D	BH	0CW4A18858000		PANEL REAR		
002		003	D	AX	0CW4A17520000		PANEL FRAME JAM		
002		004	D	AH	0CW4A18860000		COVER JAM		
002		005	C	AQ	0CW4H16552000		CABLE INTERFACE		
002		006	C	AE	0CWFC25827000		CLIP		
002		007	D	AY	0CW4A18870010		PANEL DUMMY PUNCHER		
002		008	C	AL	0CW4B10081010		MYLAR		
002		009	C	AS	0CW4116P763A/		GUIDE DUMMY PUNCH UPPER		
002		010	C	AC	0CW4A17689000		GUIDE DUMMY PUNCH		
002		011	D	AY	0CW4A18897000		PANEL SIDE		
002		012	C	AE	0CW4A17291000		LEVER TRAY UP/DOWN EMPTY		
002		013	C	AF	0CW4B10780000		FLAG PAPER SENSING REAR		
002		014	C	AG	0CW4A17415000		SPRING TENSION		
002		015	C	AD	0CW4A17378000		LATCH UPPER PANEL		
002		016	D	AK	0CW4A18898000		PANEL UPPER SUB		
002		017	D	AZ	0CW4A18899000		PANEL UPPER		
002		018	C	AE	0CW4A17547000		SPRING TENSION		
002		019	C	AE	0CW4A17548000		SPRING TENSION		
002		020	C	AF	0CW4A17195000		HOLDER ROLLER		

002	021	C AC	0CW4A17317000	ROLLER PAPER FEED	
002	022	D BE	0CW4A18902000	PANEL FIXING	
002	023	D AX	0CW4A18903000	PANEL FRONT	
002	024	C AE	0CW4A18313000	BAND PANEL	
002	025	C AD	0CW4B10585000	SUPPORT PANEL BAND 2	
002	026	C BF	0CW4A18908010	STACK TRAY 1	
002	027	C BA	0CW4A18909000	STACK TRAY 2	
002	029	C AF	0CW4A17424000	PLATE GROWING	
002	030	D AQ	0CW4A18865000	PANEL DOME	
002	031	D AW	0CW4A18866000	COVER DOME 2	
002	032	C AG	0CW4A17270000	FLAG BASE TRAY	
002	033	C BA	0CW4A18867000	TRAY BASE	
002	034	C AL	0CW4A18868000	ARM STOPPER	
002	035	C AC	0CW4A17400000	SPRING TENSION	
002	036	C AD	0CW4A17408000	SPRING TENSION	
002	037	C AD	0CW4A17566000	CLIP SHAFT	
002	038	C AD	0CW4A17567000	CLIP SHAFT	
002	039	C AH	0CW4A18338010	GUIDE DUMMY PUNCHER PAPER	
002	040	D AY	0CW4B10775000	LABEL STAPLE REMOVING	
002	041	C AD	0CW4A17284000	GEAR	(48T/15T)
002	042	D AR	0CW4A18950000	COVER FRAME JAM SUB	
002	043	C AD	0CW4B10584000	SUPPORT PANEL BAND 1	
002	044	C AM	0CW4A18906010	TRAY RIB	(INCH SERIES)
002	045	C AE	0CW4B10386000	SPRING	
002	046	C AF	0CW4B10392000	SPACER REAR	
002	047	C AF	0CW4B10385000	SPACER FRONT	
002	048	C AQ	0CW4A18949000	GUIDE UPPER	
002	050	C AD	0CW4B10851000	TRAY LIB SMALL	
002	051	C AD	0CW4B10845000	SPONGE	
002	052	C AL	0CW4B10395000	TRAY BRACKET F	
002	053	C AL	0CW4B10394000	TRAY BRACKET R	
002	054	C AN	0CW4110P445A1	PRESSURE MYLAR	
002	602	C AE	0CW4B10583000	BAND PANEL	
002	701	C AF	0CW4110P230//	Double-stick tape	
003				3.Internal Components 1	
003	001	C AE	0CW4A17267000	GEAR	(24T/24T)
003	002	C AE	0CW4A17577000	LEVER STACK	
003	003	C AD	0CW4A17259000	GEAR	(16T/18T)
003	006	C AE	0CW4A17353010	HOLDER BELT REAR	
003	007	C AE	0CW4A17354000	HOLDER BELT FRONT	
003	008	C AC	0CW4A17371000	ROLLER TENSIONER	
003	009	C AC	0CW4A17428000	SPRING TENSION	
003	010	C AD	0CW4A17414000	SPRING TENSION	
003	011	C AD	0CW4A17417000	SPRING TENSION	
003	012	C AD	0CW4A17419000	SPRING TENSION	
003	013	C AD	0CW4A17509000	PULLEY	(18T/24T)
003	014	C AE	0CW4A17517000	LATCH	
003	015	C AG	0CW4A17518000	LATCH 2	
003	016	C AF	0CW4H16512000	CABLE STACK SENSOR	
003	017	C AC	0CW4A17523000	BUSHING	
003	018	C AD	0CW4A17524000	PULLEY	(18T)
003	019	C AC	0CW4A17528000	BUSHING	
003	020	C AC	0CW4A17542000	FLANGE	
003	021	C AD	0CW4A17567000	CLIP SHAFT	
003	022	C AE	0CW4A17572000	BUSHING	
003	023	C AC	0CW4A17691000	SPRING LEAF	
003	024	C AD	0CW4A17288000	PULLEY	(40T)
003	025	B AH	0CW4WG85362000	IC	(TLP1241)
003	027	C AG	0CW4F11556000	PLATE PAPER FEED TENSIONER	
003	028	C AE	0CW4FC25827000	CLIP	
003	029	C AC	0CW4A17265000	ROLLER RAIL	

003	030	C	AF	0CW4A17534000	CAP MOTOR	
003	031	C	AK	0CW4A17318000	GUIDE STOPPER	
003	032	C	AK	0CW4A17539000	LINK	
003	033	C	AC	0CW4A17540000	LINK 2	
003	034	C	AC	0CW4A17549000	SPRING TENSION	
003	035	B	BF	0CW4K11080000	MOTOR STEPPING	
003	037	C	AD	0CW4A17355000	PULLEY	(18T)
003	038	B	AS	0CWXF21817960	BELT TIMING	
003	039	B	AQ	0CWXF21619860	BELT TIMING	
003	040	B	AP	0CWXF21618840	BELT TIMING	
003	041	C	AP	0CW4H16460000	CABLE SENSOR	
003	042	C	AU	0CW4H16602000	BUNDLE WIRE FOR THE PADDLE MOTOR	
003	043	C	AP	0CW4H16467000	CABLE DC MOTOR	
003	044	C	AR	0CW4A17321000	ARM STOPPER	
003	045	C	AC	0CW4A17400000	SPRING TENSION	
003	046	B	AL	0CWXF21605040	BELT TIMING	
003	047	C	AT	0CW4F11882000	TRAY STAY F	
003	048	C	AG	0CW4A18947000	SLEEVE	
003	049	C	AD	0CW4A17578000	PAD	
003	050	C	AC	0CW4B10785000	PAD	
003	051	C	AN	0CW4B10390000	MOTOR PLATE	
003	052	C	AN	0CW4F11883000	TRAY STAY R	
003	053	C	AH	0CW4A17576000	STACK LEVER BRACKET	
003	054	C	AP	0CW4A17482000	FR-ST-STAY	
003	055	C	AW	0CW4A17491000	STAY FRAME	
003	056	C	AR	0CW4A17511000	FR-DUCT-RU	
003	057	C	AV	0CW4A17217000	STACK SHAFT	
003	058	C	AK	0CW4A17510000	CABLE GUIDE (MIDDLE REAR)	
003	059	C	AS	0CW4A17253000	FRAME LATCH SHAFT	
003	060	C	AH	0CW4F11560000	PULLEY SUPPORT PLATE (FRONT LOWER)	
003	061	C	AE	0CW4A17512000	CABLE GUIDE (REAR LOWER)	
003	062	C	AE	0CW4A17543000	CABLE GUIDE	
003	063	C	AG	0CW4099P634//	STACK MOTOR REINFORCEMENT PLATE	
003	064	C	AG	0CW4A17474000	RISE AND FALL SUPPORT PLATE (FRONT)	
003	065	C	AH	0CW4F11558000	PULLEY SUPPORT PLATE (REAR LOWER)	
003	066	C	AH	0CW4A17475000	TS SUPPORT PLATE (REAR)	
003	501	C	AC	0CWXD32200142	PIN DOWEL	
003	503	C	AC	0CWXD12300142	PIN DOWEL	

4.Internal Components 2

004	001	D	AH	0CW4A18859000	COVER STOPPER	
004	004	C	AC	0CW4B10586010	PLATE STAPLER FRAME STOPPER	
004	005	C	AE	0CWFC25827000	CLIP	
004	006	C	AD	0CWFS21672000	BUSHING	
004	007	B	AH	0CWWG85362000	IC	(TLP1241)
004	008	D	AD	0CW4A18316000	COVER BLANKING	
004	009	C	AC	0CW4A17515000	ROLLER FRAME TRAY	
004	010	C	AN	0CW4A17172010	GUIDE PAPER LOWER	
004	011	C	AF	0CW4A17349000	FLAG SENSOR	
004	012	C	AD	0CW4A17418000	SPRING TENSION	
004	013	C	AE	0CW4H16454000	CABLE SENSOR	
004	014	C	AC	0CW4A17371000	ROLLER TENSIONER	
004	015	C	AH	0CW4F11557000	PLATE PAPER FEED TENSIONER 2	
004	017	B	AM	0CW4H16449010	MICROSWITCH	
004	018	B	AK	0CWXF21607440	BELT TIMING	
004	019	C	AD	0CW4A17505000	FLAG TOP SENSOR	
004	020	C	AE	0CW4A17506000	LEVER SWITCH	
004	021	C	AD	0CW4A17507000	HOLDER LEVER SUPPORT	
004	022	C	AG	0CW4A17508000	HOLDER SENSOR/MICROSWITCH	
004	023	C	AD	0CW4A17268000	GEAR	(24T)
004	024	C	AK	0CW4A18900000	GUIDE PAPER WEIGHT 1	
004	025	C	AD	0CW4A17495000	PLATE WEIGHT 1	

004	026	C AD	0CW4A17496000	PLATE WEIGHT 2	
004	027	C AG	0CW4A18901000	GUIDE PAPER WEIGHT 2	
004	028	D AV	0CW4A17488000	PANEL FRAME COVER	
004	029	C AC	0CW4A18314000	SPRING LEAF GROUNDING	
004	030	C AQ	0CW4H16452000	CABLE FRONT DOOR SENSOR	
004	031	C AU	0CW4H16453000	CABLE LEBER TRAY SENSOR	
004	032	C AN	0CW4H16461000	CABLE SENSOR 2	
004	033	C AL	0CW4H16462000	CABLE SENSOR 3	
004	034	C AD	0CW4A17409000	SPRING TENSION	
004	035	C AQ	0CW4H16465000	CABLE JOG MOTOR	
004	036	C AS	0CW4H16553000	CABLE SWITCH	
004	037	C AE	0CW4H16511000	CABLE BIND CLUTCH	
004	038	C AV	0CW4139P405//	ROLLER PAPER FEED	
004	040	C AF	0CW4A17467000	SENSOR BRACKET	
004	041	C AG	0CW4A18951000	JOINT-SWITCH HOLDER	
004	042	C AN	0CW4A18948000	GROUNDING PLATE	
004	043	C AE	0CW4A18869000	SWITCH LEVER	
004	044	C AE	0CW4A18863000	SPRING	
004	046	E CD	0CW4110K322//	DC CONTROLLER PCB ASSEM(OKI)	
004	047	C AH	0CW4A17426000	PROCESSING TRAY FRAME LOCK PLATE 2	
004	048	C AE	0CW4A17425000	PROCESSING TRAY FRAME LOCK PLATE 1	
004	049	C AE	0CWVT25019030	SLIP GUIDE	
004	050	C AE	0CWVT20002018	PWB SPACER	
004	051	C AE	0CWVT25171030	PWB SPACER	
004	502	C AC	0CWXD32200122	PIN DOWEL	

005 5.Puncher Assembly[AR-PN1]

005	001	E CA	0CW4G11297020	PUNCHER CONTROLLER PCB ASSY	
005	002	C AF	0CW4A18685000	SHUTTER PUNCHER	
005	003	C AP	0CW4H16514000	CABLE POWER CONNECTING	
005	004	C AH	0CW4H16515000	CABLE INTERFACE	
005	005	C AE	0CW4A18683000	SPRING TENSION	
005	006	C AV	0CW4H16524000	CABLE SENSOR	
005	008	D AF	0CW4B10489000	LABEL PUNCH DIAL	
005	009	C BB	0CW1020P289//	MOUNT PUNCHER	
005	010	D AF	0CW4A18673000	COVER HARNESS	
005	011	E AF	0CW4H16537000	DUST LED PCB UNIT	
005	012	E AF	0CW4H16538000	DUST PTR PCB UNIT	
005	013	C AF	0CW4A18679000	GEAR	(16T/33T)
005	014	C AF	0CW4A18680000	GEAR	(19T/32T)
005	015	C AM	0CW4A18681000	DUCT PUNCHER	
005	016	B AH	0CWVG85362000	IC	(TLP1241)
005	017	D AT	0CW4A18686010	PANEL DUST BOX	
005	018	D AQ	0CW4B10495000	COVER DUST BOX	
005	019	B BB	0CW4K11078000	MOTOR STEPPIG	
005	020	C AG	0CW4H16530000	CABLE DUST SENSOR	
005	021	D AN	0CW4A18704000	COVER PUNCHER BASE	
005	022	C AY	0CW4A18708000	DUST-BOX MYLAR	
005	023	D AF	0CW4B10847000	DUST-BOX RUBER	
005	024	C AR	0CW4B10480000	GUIDE	
005	025	C AE	0CW4B10493000	DUST-BOX SPONGE	
005	050	B BS	0CW1020P537A/	IC M38039FFSP CPU	
005	051	B AN	0CWVA70484000	IC S-93C46ADP EP-ROM	
005	052	C AU	0CW4F11850000	PC-PM-SUB BASE ASSY	
005	055	C AF	0CW4A18684000	PC SENSOR PLATE	
005	056	C AF	0CW4A18689000	PC-PWB FILM	
005	503	C AC	0CWXD11104629	WASHER	

006 6.Puncher Total Assembly[AR-PN1]

006	001	C AD	0CW4A18688000	ROLLER PUNCHER	
006	002	C BA	0CW4H16523000	CABLE REGISTRETION SENSOR	
006	004	C AE	0CWFS56528000	ROLLER	
006	005	D AG	0CW4A18682000	COVER REGSTRETION	

006	006	B AH	0CWVG85362000	IC	(TLP1241)
006	007	C AV	0CWFF60507000	HOLDER SENSOR UPPER	
006	008	C AV	0CWFF60508000	HOLDER SENSOR LOWER	
006	009	C AH	0CWFB56775000	PLATE SENSOR FLAG	
006	010	D AG	0CW1020P265//	COVER JAM CLEARING	
006	011	C AH	0CWFB55968000	RACK SLIDE	
006	012	C AG	0CW4B10477000	KNOB JAM CLEANING	
006	014	B BD	0CW1033K300//	MOTOR DC	OEM
006	015	C AP	0CW4H16531000	CABLE MOTOR	
006	016	E AX	0CW1020K363B/	PCB UNIT	
006	017	E AX	0CW1020K365B/	PCB UNIT	
006	020	C AG	0CW4B10490000	SPRING	
006	021	C AH	0CW4A18690000	PC SENSOR BRACKET	
006	022	C AE	0CWFB55969000	SLIDE BEARING	
007				7Stack Motor Driver Assembly)	
007	001	C AF	0CW4A17260000	GEAR	(16T/40T)
007	002	C AG	0CW4A17261000	GEAR	(16T/45T)
007	003	C AE	0CW4A17262000	GEAR	(16T/45T)
007	004	C AE	0CW4A17263000	PULLEY	(56T)
007	005	C AK	0CW4H16458000	CABLE SHIFT MOTOR	
007	006	B BD	0CW4135K550//	MOTOR	(DC24V)
007	009	C AE	0CWFC25827000	CLIP	
007	010	C AD	0CWFS21672000	BUSHING	
007	011	B AH	0CWVG85362000	IC	(TLP1241)
007	012	B AN	0CWXF21608040	BELT TIMING	
007	013	C AE	0CW4A17264000	PLATE CLOCK SENSOR	
007	014	C AD	0CW4A17469000	STACK MOTOR SUB PLATE	
007	015	C AT	0CW4F11562000	STACK MOTOR PLATE ASSY	
007	016	C AD	0CW4A17173000	CLOCK SENSOR BRACKET	
007	501	C AC	0CWXD32200122	PIN DOWEL	
007	502	C AC	0CWXD32200142	PIN DOWEL	
008				8. Drive Assembly)	
008	001	C AE	0CW4A17301000	GEAR	(58T)
008	002	C AQ	0CW4A17302000	GEAR	(23T)
008	003	C AK	0CW4A17303000	GEAR	(17T/65T)
008	004	C AL	0CW4A17304000	GEAR	(15T/54T)
008	005	C AL	0CW4A17305000	GEAR	(17T/29T)
008	006	C AH	0CW4A17306000	GEAR	(20T)
008	007	C AF	0CW4A17307000	PULLEY	(45T)
008	008	C AH	0CW4A17338000	GEAR	(82T)
008	009	C AD	0CW4A17566000	CLIP SHAFT	
008	010	C AD	0CW4A17567000	CLIP SHAFT	
008	011	C AE	0CW4A17572000	BUSHING	
008	012	C AE	0CW4A17573000	BUSHING	
008	014	C AN	0CWBRG00019//	BEARING BALL	
008	015	B AP	0CWXF21807000	BELT TIMING	
008	016	C AD	0CW4A17300000	GEAR	(29T)
008	018	C AS	0CW4A17308000	FLAG CLOCK SENSOR	
008	019	B BR	0CW4K11069000	MOTOR	(DC24V)
008	020	B AR	0CWVG85421000	PHOTO-INTERRUPTER	
008	021	C AD	0CW4A17407000	SPRING COMPRESSION	
008	022	C AY	0CW4H16468000	CABLE STAPLER	
008	024	C AD	0CW4A17479000	D-PLT-DRAWER	
008	025	C AK	0CW4A17516000	D-BKT-DRAWER	
008	026	C AE	0CW4A17199000	MOTOR SENSOR PLATE	
008	027	C BA	0CW4F11563010	DRIVE GEAR BRACKET ASSY	
008	028	C AL	0CW4A17229000	GEAR 1 SHAFT	
008	029	C AL	0CW4A17231000	GEAR 2 SHAFT	
008	030	C AQ	0CW4A17198000	DRIVE GEAR BRACKET ASSY	
008	501	C AC	0CWXD32200142	PIN DOWEL	
008	502	C AC	0CWXD32300182	PIN DOWEL	

008	503	C	AC	0CWXD32200122	PIN DOWEL	
009					9.Bundle Support Cover Assembly)	
009	001	C	AE	0CW4H16454000	CABLE SENSOR	
009	003	C	AD	0CW4A17416000	SPRING TENSION	
009	004	C	AC	0CW4A17420000	SPRING COMPRESSION	
009	005	C	AC	0CW4A17371000	ROLLER TENSIONER	
009	006	C	AE	0CWFC25827000	CLIP	
009	007	C	AM	0CW4A17240000	SHAFT SUPPORT	
009	008	C	AF	0CW4A17289000	GEAR	(20T/28T)
009	009	C	AE	0CW4113P243//	FLAG PAPER SENSOR	
009	010	C	AE	0CW4A17325000	GEAR	(5T)
009	011	C	AD	0CW4A17367000	BUSHING	
009	012	C	AE	0CW4A17421000	SPRING TENSION	
009	013	C	AE	0CW4A17422000	SPRING TENSION	
009	014	C	AE	0CW4A17423000	SPRING TENSION	
009	015	C	AF	0CW4A17526000	HOLDER SENSOR	
009	016	B	AH	0CWWG85362000	IC	(TLP1241)
009	017	C	AE	0CW4A17326000	SUPPORT PAPER	
009	018	C	AD	0CW4A17327000	HOLDER PAPER SUPPORT	
009	019	C	AG	0CW4B10783000	GEAR-HOLDING SPRING	
009	020	C	AN	0CW4A17184000	BUNDLE-SUPPORTING BRACKET	
010					10.Dispose Assembly)	
010	001	C	AD	0CW4A17390000	SPRING TENSION	
010	002	C	AE	0CW4H16454000	CABLE SENSOR	
010	004	B	AL	0CWXF21606140	BELT TIMING	
010	005	C	AD	0CW4A17328000	LEVER BELT SENSOR	
010	006	B	AY	0CW4A17383000	BELT TIMING	
010	007	C	AE	0CW4A17392000	SPRING TENSION	
010	008	D	AG	0CW4A18862010	COVER DISPOSE	
010	009	C	AR	0CW4A18894000	DEFECTOR WEIGHT	
010	010	C	AK	0CW4H16455000	CABLE TRAY	
010	011	B	BA	0CW4K11067000	MOTOR STEPPIG	
010	013	C	AD	0CW4A18889010	GUIDE TRAY FRONT	
010	014	B	AH	0CWWG85362000	IC	(TLP1241)
010	015	C	AD	0CW4A17273000	GEAR	(30T)
010	016	D	AR	0CW4A17519000	COVER DISPOSE SUB	
010	017	C	AP	0CW4A17368000	PULLEY	(22T)
010	018	C	AS	0CW4A17381000	ROLLER BUNDLE LOWER	
010	019	C	AD	0CW4A17567000	CLIP SHAFT	
010	020	C	AE	0CW4A17572000	BUSHING	
010	021	C	AD	0CW4A18319000	PULLEY	(22T)
010	022	C	AC	0CW4A18334000	FLANGE	
010	023	C	AU	0CW4114P048B/	SUPPORT SENSOR FLAG	
010	024	C	AE	0CW4A17329000	FLAG SENSOR	
010	025	C	AC	0CW4A17402000	SPRING TENSION	
010	026	C	AN	0CW4H16464000	CABLE EJECT MOTOR	
010	027	C	AD	0CW4A17275000	PULLEY	(22T)
010	028	C	AD	0CW4A18924010	GUIDE TRAY REAR	
010	029	C	AE	0CWFC25827000	CLIP	
010	030	C	AD	0CWFS21672000	BUSHING	
010	031	C	AC	0CW4A17209000	SPRING LEAF	
010	032	C	AQ	0CW4A18873000	GUIDE PAPER FEED FRONT	
010	033	C	AE	0CW4A17514000	FLAGBUNDLE ROLLER	
010	034	C	BE	0CW4K11066000	MOTOR STEPPIG	
010	035	C	AP	0CW4A18875000	GUIDE PAPER FEED REAR	
010	036	D	AH	0CW4A17314000	RACK ADJUSTMENT FRONT	
010	037	D	AF	0CW4A18877000	COVER ADJUSTMENTRACK FRONT	
010	038	D	AF	0CW4A18878000	COVER ADJUSTMENTRACK FRONT	
010	039	C	AC	0CW4A17391000	SPRING COMPRESSION	
010	040	C	AL	0CW4A17319000	RACK ADJUSTMENT REAR	
010	041	D	AF	0CW4A18880000	COVER ADJUSTMENTRACK REAR	

010	042	C	AE	0CW4A17212000	HOLDER MICROSWITCH	
010	043	D	AE	0CW4A17575010	COVER MICROSWITCH	
010	044	B	AM	0CW4H16449010	MICROSWITCH	
010	045	C	AF	0CW4B10779000	ADJUSTMENT-PLATE MYLAR REAR	
010	046	C	AF	0CW4B10778000	ADJUSTMENT-PLATE MYLAR FRONT	
010	047	C	AL	0CW4110P261C/	WEIGHT FLAPPER FRONT	
010	048	C	AL	0CW4110P263C/	WEIGHT FLAPPER REAR	
010	049	C	AF	0CW4B10776000	ADJUSTMENT-RACK MYLAR	
010	050	C	AK	0CW4A17239000	PAWL BRACKET SHAFT	
010	051	C	AM	0CW4A17486000	MOTOR BRACKET	
010	052	C	AF	0CW4A17191000	SENSOR BRACKET	
010	053	C	AW	0CW4F11564000	ADJUSTMENT BASE ASSY	
010	054	C	AS	0CW4A17236000	TB ROLLER SHAFT LOWER	
010	055	C	AF	0CW4A17487000	P-LOCK BRACKET	
010	056	C	AG	0CW4A17193000	SIG SENSOR BRACKET	
010	057	C	AE	0CW4B10852000	SUPPORT PLATE	
010	058	C	AE	0CW4B10139000	DERIVERY GUIDE LIB	(EXCEPT JAPAN)
010	060	C	AH	0CW4A17196000	PULLEY SHAFT SUPPORT PLATE	
010	061	C	AL	0CW4A17483000	STAY	
010	062	C	AE	0CW4A17266000	SENSOR SUPPORT PLATE	
010	502	C	AC	0CWXD32200122	PIN DOWEL	
010	503	C	AC	0CWXD32200102	PIN DOWEL	

011 11.Paper Feeder Assembly

011	001	C	AC	0CW4A17278000	FLANGE	
011	002	C	AD	0CW4A17281000	PULLEY	(20T)
011	003	C	AE	0CW4A17337000	GUIDE PAPER AUXILIARY	
011	004	C	AD	0CW4A17380000	SPRING TENSION	
011	005	C	AD	0CW4A17401000	SPRING TENSION	
011	006	C	AD	0CW4A17529000	CLAW FRONT	
011	007	C	AD	0CW4A17538000	CLAW REAR	
011	009	C	AE	0CWFC25827000	CLIP	
011	010	C	AP	0CW4A17271000	PULLEY	(40T)
011	011	C	AN	0CW4A17272000	PULLEY	(18T/29T)
011	012	C	AD	0CW4A17274000	GEAR	(20T/32T)
011	013	C	AC	0CW4A17276000	FLANGE	
011	014	C	AD	0CW4A17279000	GEAR	(20T)
011	015	C	AD	0CW4A17280000	GEAR	(30T/20T)
011	016	C	AD	0CW4A17330000	FLAG SENSOR	
011	017	C	AD	0CW4A17331000	CAM	
011	018	C	AC	0CW4A17332000	ARM LINK 1	
011	019	C	AC	0CW4A17346000	SUPPORT PADDLE SHAFT	
011	020	C	AD	0CW4A17347000	ARM LINK 2	
011	021	C	AD	0CW4A17348000	ARM LINK 3	
011	022	C	AD	0CW4A17351000	PULLEY	(24T)
011	023	C	AE	0CW4A17366000	ARM LINK 4	
011	024	C	AC	0CW4A18321000	SPRING COMPRESSION	
011	025	C	AC	0CW4A17339000	FLANGE	
011	026	C	AH	0CW4A17372000	GUIDE SAGTY REAR 1	
011	027	C	AD	0CWFS21672000	BUSHING	
011	028	B	AH	0CWWG85362000	IC	(TLP1241)
011	029	B	AL	0CWXF21604940	BELT TIMING	
011	030	B	AN	0CWXF21607640	BELT TIMING	
011	031	C	AR	0CW4A17194000	GUIDE PAPER OUTLET UPPER	
011	032	C	AT	0CW4A17427000	ELIMINATOR STATIC CHARGE	
011	033	C	AF	0CW4B10396000	GUIDE SAGTY REAR 2	
011	034	C	AH	0CW4A17406000	ROLLER PAPER OUTLET	
011	035	C	AV	0CW4A17494000	ROLLER PAPER OUTLET ROLLER	
011	036	C	AG	0CW4110P493//	RPLLER FEED	
011	037	C	AK	0CW4A17531000	ROLLER PAPER OUTLET 1	
011	038	C	AL	0CW4A17532000	ROLLER PAPER OUTLET 2	
011	039	C	AD	0CW4110P363//	HOLDER PADDLE ROLLER 1	

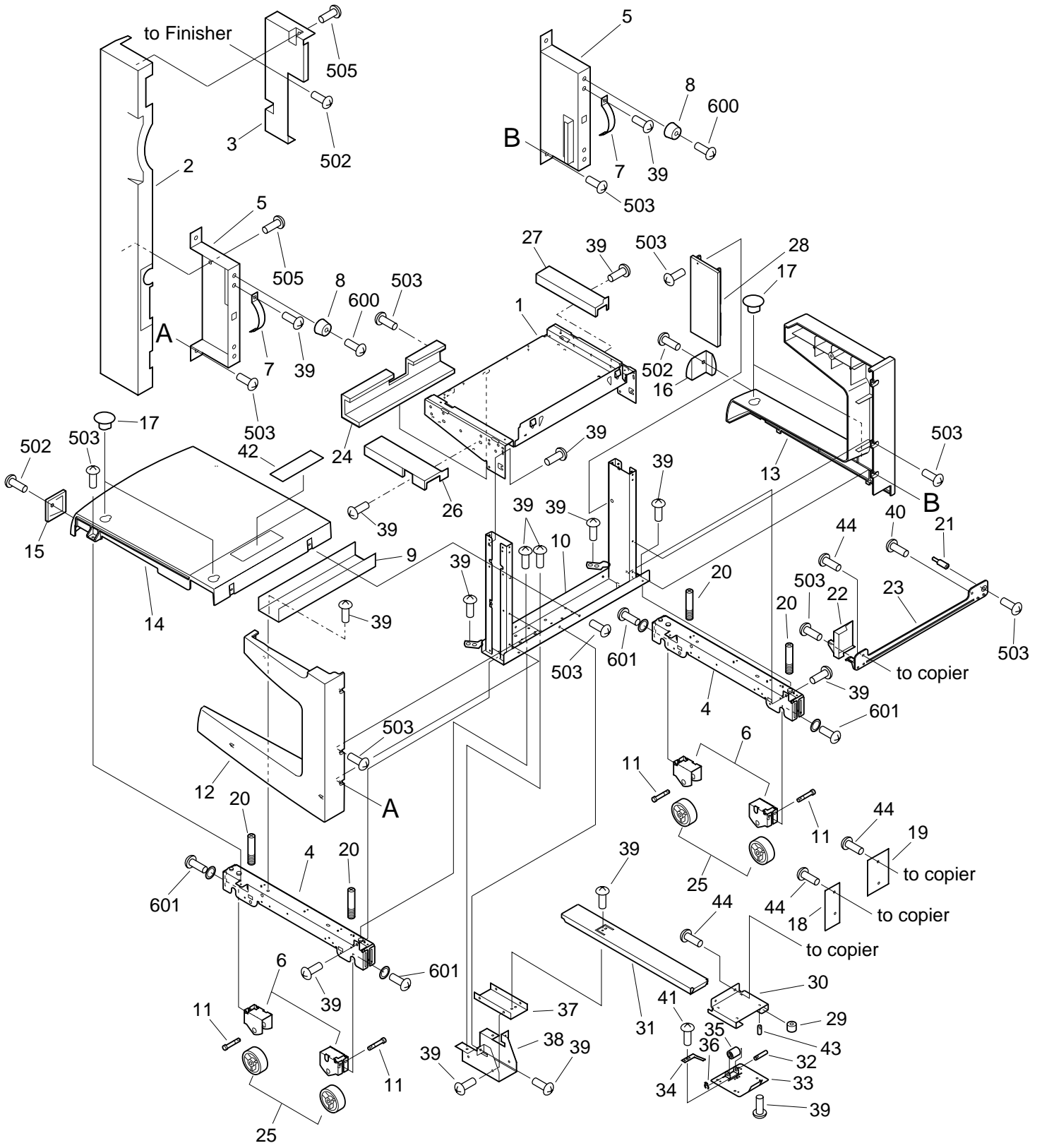
011	040	C AN	0CW4A18888000	ROLLER PADDLE 1	
011	041	C AD	0CW4A17513000	CAM SENSOR FLAG	
011	042	C AE	0CW4A17585000	FLANGE	
011	043	C AN	0CW4A17333000	GUIDE PAPER LOWER	
011	044	C AC	0CW4A17283000	GEAR	(14T)
011	045	C AC	0CW4A17282000	GEAR	(14T)
011	046	C AE	0CW4A17286000	HOLDER ROLLER FRONT 1	
011	047	C AE	0CW4A17345000	HOLDER ROLLER FRONT 2	
011	048	C AS	0CW4A17379000	ROLLER BUNDLE UPPER	
011	049	C AF	0CW4B10396000	GUIDE SAFTY FRONT 2	
011	050	C AE	0CW4A17285000	HOLDER ROLLER REAR 1	
011	051	C AE	0CW4A17344000	HOLDER ROLLER REAR 2	
011	052	C AH	0CW4A17341000	GUIDE SAFTY FRONT 1	
011	053	C AD	0CW4B10846000	JUMP STOCK	
011	054	C AE	0CW4B10398000	WEIGHT	
011	055	C AE	0CW4A18896000	GUIDE	
011	056	C AF	0CW4B10591000	WASHER	
011	057	C AR	0CW4139P139//	EXIT ROLLER SHAFT	
011	058	C AE	0CW4A17192000	CAM SENSOR BRACKET	
011	059	C AP	0CW4F11565000	TRANSFER FRAME R	
011	060	C AR	0CW4A17234000	CAM SHAFT	
011	061	C AC	0CW4A18320000	SR-PAD	
011	062	C AK	0CW4A17202000	TRANSFER FRAME F	
011	063	C AT	0CW4A17237000	PDL SHAFT	
011	064	C AD	0CW4110P362//	DUMMY PADDLE HOLDER	
011	067	C AR	0CW4A17238000	ROLLER SHAFT UPPER	
011	501	C AC	0CWXD32200102	PIN DOWEL	
011	608	C AD	0CW4B10856000	DERIVERY SHEET	
012				12.Fold Assembly 1/3	
012	006	C AG	0CW4A17299000	CAM SADDLE FRONT	
012	011	C AD	0CW4A17357000	PULLEY	(27T)
012	017	C AH	0CW4A17363000	CAM SADDLE REAR	
012	018	C AL	0CW4A17364000	GEAR	(24T)
012	020	C AF	0CW4A17376000	GEAR	(16T/42T)
012	021	C AD	0CW4A17377000	GEAR	(21T)
012	022	C BN	0CW4A17385000	ROLLER FOLD	
012	025	C AE	0CW4A17388000	SPRING TENSION	
012	030	C AC	0CW4A17533000	HOOK SPRING	
012	032	C AG	0CW6903820000	BUSHING	
012	033	C AD	0CW4A17566000	CLIP SHAFT	
012	036	C AE	0CW4A17573000	BUSHING	
012	038	C AD	0CW4A18330000	GEAR	(18T)
012	040	C AR	0CW4A18332000	GUIDE PAPER DELIVERY LOWER	
012	042	B BB	0CW4K14040000	CLUTCH ELECTROMAGNETIC	
012	046	C AE	0CWFC25827000	CLIP	
012	048	C AD	0CWFS21672000	BUSHING	
012	050	C AC	0CW4A17476000	SPRING LEF	
012	054	B AH	0CWWG85362000	IC	(TLP1241)
012	072	C AD	0CW4A17525000	ROLLER	
012	073	C AN	0CW4A17256000	ROLLER SHAFT	
012	074	C AF	0CW4A17504000	HARNESS DACT	
012	075	C AK	0CW4A17485000	TENSION BRACKET	
012	076	C AS	0CW4F11567010	FRAME R	
012	077	C AN	0CW4A17477000	TOP BRACKET	
012	078	C AY	0CW4F11568010	FRAME F	
012	079	C AT	0CW4A17227000	CAM SHAFT	
012	080	C AC	0CW4A18323000	GUIDE PAD	
012	502	C AC	0CWXD32200102	PIN DOWEL	
012	505	C AC	0CWXD32300162	PIN DOWEL	
013				13.Fold Assembly 2/3	
013	001	C AG	0CW4A17177000	GUIDE SWING FRONT	

013	002	C	AG	0CW4A17178000	GUIDE SWING REAR	
013	004	C	AD	0CW4A17295000	CAM FRONT	
013	005	C	AD	0CW4A17296000	CAM REAR	
013	007	C	AN	0CW4A17335000	PULLEY	(36T)
013	008	C	AC	0CW4A17339000	FLANGE	
013	010	C	AC	0CW4A17350000	PIN SADDLE SLIDER	
013	015	C	AD	0CW4A17361000	HOLDER ROLLER	
013	024	C	AD	0CW4A17387000	SPRING TENSION	
013	030	C	AC	0CW4A17533000	HOOK SPRING	
013	031	C	AD	0CW4A17551000	WASHER	
013	033	C	AD	0CW4A17566000	CLIP SHAFT	
013	034	C	AD	0CW4A17567000	CLIP SHAFT	
013	036	C	AE	0CW4A17573000	BUSHING	
013	037	C	AC	0CW4A18329000	ROLLER LINK	
013	039	C	AD	0CW4A18331000	GEAR	(17T)
013	046	C	AE	0CWFC25827000	CLIP	
013	055	C	AL	0CW4A18327000	SPRING LEAF	
013	056	C	AK	0CW4A18326000	SPRING LEAF	
013	057	C	AP	0CW4A17480000	GUIDE DELIVERY PAPER	
013	058	C	AE	0CW4A18324000	PLATE REINFORCEMENT	
013	059	C	AD	0CW4A17322000	ROLLER FOLD	
013	060	C	AE	0CW4A17481000	HOLDER DELIVERY ROLLER	
013	068	C	AC	0CW4A17297000	ROLLER LINK	
013	071	C	AC	0CW4A17228010	SHAFT LINK	
013	073	C	AD	0CW4109P449//	SPRING TENSION	
013	074	C	AF	0CW4A17298000	ROLLER SADDLE	
013	075	C	AH	0CW4099K022//	PLATE OPENER FRONT	
013	076	C	AK	0CW4F11570000	PLATE OPENER REAR	
013	077	C	AG	0CW4A17181000	LINK COVER	
013	078	C	AU	0CW4A17242000	F-IN CAM SHAFT	
013	079	C	AN	0CW4A18325000	BASE SPRING PLATE	
013	080	C	AL	0CW4A17203010	BASE BRACKET	
013	082	C	AB	0CW4HW050FZS00	WASHER	
013	083	C	AC	0CW4A18328000	PAD LINK	
013	084	D	AN	0CW4A17180000	SADDLE COVER	
013	085	C	AV	0CW4A17179000	SADDLE PLATE	
013	086	C	AF	0CW4A17188000	SADDLE PLATE (SUB)	
013	503	C	AC	0CWXD32200142	PIN DOWEL	
014					14.Fold Assembly 3/3	
014	003	C	AE	0CW4A17290000	GEAR	(8T)
014	009	C	AG	0CW4A17340000	GEAR	(16T)
014	012	C	AP	0CW4A17358000	GEAR	(16T/41T)
014	013	C	AK	0CW4A17359000	GEAR	(15T/38T)
014	014	C	AK	0CW4A17360000	GEAR	(24T)
014	016	C	AL	0CW4A17362000	GEAR	(24T)
014	019	C	AF	0CW4A17365000	GEAR	(16T)
014	023	C	AE	0CW4A17386000	SPRING COMPRESSION	
014	026	C	AG	0CW4A17389000	SPRING TENSION	
014	027	C	AE	0CW4A17403000	SPRING TENSION	
014	028	C	AV	0CW4A17404000	ROLLER	
014	029	C	AD	0CW4A17530000	PULLEY	(27T)
014	034	C	AD	0CW4A17567000	CLIP SHAFT	
014	041	C	AN	0CW4H16456000	CABLE CONNECTING	
014	045	C	AT	0CW4H16450000	LED PCB UNIT	
014	046	C	AE	0CWFC25827000	CLIP	
014	047	C	AN	0CWBRG00019//	BEARING BALL	
014	048	C	AD	0CWFS21672000	BUSHING	
014	049	B	AM	0CWBLT00066//	BELT TIMING	
014	051	C	AC	0CW4A17536000	CLIP SHAFT	
014	052	C	AR	0CW4A17544000	ROLLER FOLD	
014	053	C	AQ	0CW4A17545000	ROLLER FOLD SUB	

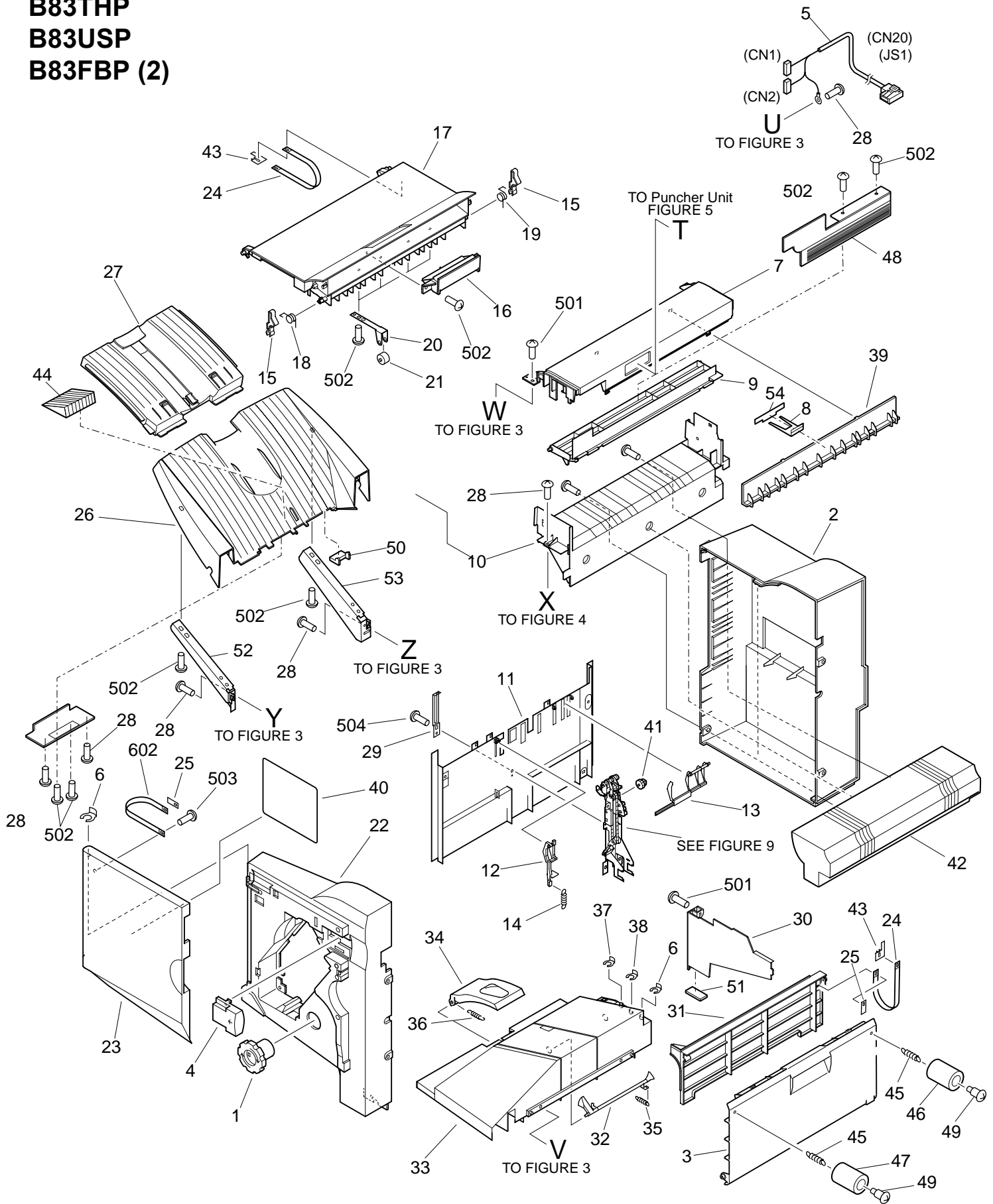
014	061	C	AK	0CW4A17187000	GUIDE FOLD ROLLER 1	
014	062	C	AE	0CW4A17309000	HOLDER GUIDE FRONT 1	
014	063	C	AE	0CW4A17310000	HOLDER GUIDE REAR 1	
014	064	C	AL	0CW4A17186010	GUIDE FOLD ROLLER 2	
014	065	C	AE	0CW4A17311000	HOLDER GUIDE FRONT 2	
014	066	C	AE	0CW4A17312000	HOLDER GUIDE REAR 2	
014	067	C	AR	0CW4A17207000	GUIDE PAPER UPPER	
014	069	C	AM	0CW4A17204000	GUIDE PAPER FEED LOWER	
014	070	C	AC	0CW4A18322000	SPRING LEAF GROUNDING	
014	071	C	AP	0CW4A17470000	SUB FRAME F	
014	072	C	AX	0CW4A17254000	FOLD 1 SHAFT	
014	073	C	AY	0CW4A17255000	FOLD 2 SHAFT	
014	074	C	AF	0CW4A17175000	ROLLER FOLD SUPPORT PLATE FRONT	
014	075	C	AF	0CW4A17176000	ROLLER FOLD SUPPORT PLATE REAR	
014	502	C	AC	0CWXD32200102	PIN DOWEL	
014	504	C	AD	0CWXD32300142	PIN DOWEL	
014	506	C	AC	0CWXD32300182	PIN DOWEL	
015					15.Staple Assembly 1/2	
015	001	C	AD	0CW4A18206000	ROLLER TEMMSION	
015	002	C	AN	0CW4A18207000	SPRING TENSION	
015	003	D	AQ	0CW4110Q145//	COVER MOTOR	
015	005	C	AE	0CW4A18217000	SUPPORT CAM STOPPER 1	
015	010	C	AE	0CW4A17592000	SPRING TORSION	
015	011	C	AD	0CW4A18225000	PULLEY	(38T)
015	013	C	AF	0CW4A18904000	KNOB STAPLE MOVABLE	
015	017	C	AH	0CW4A18905000	KNOB JAM CLEANING	
015	018	C	AC	0CWFC30661000	CLIP	
015	022	D	AR	0CW4A18238000	PANEL FRONT	
015	023	D	AH	0CW4A18907000	COVER HANDLE	
015	026	C	AQ	0CW4A18240000	GUIDE PAPER	
015	027	C	AE	0CW4B10743000	SPRING COMPRESSION	
015	028	C	AF	0CW4A17581000	GUIDE PAPER SUB	
015	029	C	AD	0CW4A17584000	PIN MARKER	
015	031	C	AD	0CW4A17583000	GEAR	(42T)
015	032	C	AF	0CW4F11679000	PLATE TENSIONER	
015	035	C	AD	0CW4A18210000	PIN SLIDE	
015	036	C	AC	0CW4A18198000	ROLLER	
015	041	C	AW	0CW4H16506000	CABLE STAPLE 2	
015	042	C	BE	0CW4K11070000	MOTOR STEPPING	
015	043	C	AE	0CW4B10754000	FLANGE	
015	044	C	AE	0CW4B10744000	PULLEY	
015	045	C	AD	0CW4S10280000	SPRING TENSION	
015	046	C	AH	0CW4F12053000	PLATE STAPLE TENSIONER	
015	047	C	AD	0CW4B10746000	ROLLER TENSIONER	
015	048	C	AF	0CW4A18232000	GEAR	(18T/66T)
015	049	B	AQ	0CWXF21804070	BELT TIMING	
015	050	C	AF	0CW4B10742000	GUIDE	
015	051	C	AC	0CW4A17590000	PAD STAPLE GUIDE	
015	052	C	AC	0CWRA22452000	BUSHING	
015	053	C	AE	0CW4B10740000	GEAR	(16/29T)
015	055	C	AF	0CW4A18881000	BUNDLE-WIRE GUIDE	
015	056	C	AP	0CW4A18227000	BELT	
015	057	C	AD	0CW4A18211000	FPC GUIDE	
015	507	C	AD	0CWXD32300142	PIN DOWEL	
015901		E	DB	0CW4G14268020	STAPLE ASSEMBLY(INCLUDE BLOK16)	
016					16.Staple Assembly 2/2	
016	004	C	AF	0CW4A18215000	FRAME COUPLING	
016	006	C	AF	0CW4A18218000	COUPLING	
016	007	C	AF	0CW4A18219000	SPRING COMPRESSION	
016	008	C	AF	0CW4A17591000	HOLDER STAPLER GUIDE ROLLER	
016	009	C	AD	0CW4A17589000	ROLLER STAPLE GUIDE	

016	012	C	AE	0CW4A18226000	GEAR	(36T/38T)
016	014	C	AF	0CW4A18229000	GEAR	(42T/32T)
016	015	C	AE	0CW4A18230000	PULLEY	(24T)
016	016	B	AS	0CWXF21309000	BELT TIMING	
016	024	D	AE	0CW4A18265000	COVER SIDE RIGHT	
016	025	D	AE	0CW4A18264000	COVER SIDE LEFT	
016	030	D	AE	0CW4A18263000	COVER GEAR	
016	034	E	BF	0CW4A18884000	STAPLE CARTRIDGE UNIT	
016	037	E	AE	0CW4H16502000	STAPLER BASE PCB ASSEMBLY	
016	038	E	AH	0CW4H16503000	STAPLER IN PCB ASSEMBLY	
016	039	C	AK	0CW4H16504000	CABLE STAPLER	
016	040	C	AH	0CW4H16505000	CABLE STAPLE 1	
016	041	C	AQ	0CW4110Q167//	SETTING CARTRIDGE LABEL	
016	506	C	AC	0CWXD32300122	PIN DOWEL	
016	508	C	AC	0CWXD32200142	PIN DOWEL	
016901		E	DB	0CW4G14268020	STAPLE ASSEMBLY(INCLUDE BLOK15)	
017					17.Packing Material & Accessories	
017	002	C	AP	0CW4099P908//	PAD FIX DISPOSE ASSEMBLY	
017	003	C	BG	0CWPF4110K002	ASS-PAD-SH-1	
017	004	C	BG	0CWPF4110K003	ASS-PAD-SH-2	
017	005	C	AC	0CWPF4088P220	MIRROR PAD	(85×85)
017	007	C	AT	0CW4110P906//	BOX-STAPLER	
017	010	C	AN	0CWPF4110K004	ASS-PAD-HOLD	
017	016	C	AC	0CW4099P913//	PACG-MAT-SD	
017	017	C	AL	0CW4099P903//	JOINT	
017	018	D	AQ	0CW4088P220//	VINYL BAG	
017	019	D	AC	0CW2111P021//	VINYL BAG A	
017	020	D	AE	0CW2142P320//	VINYL BAG	
017	021	D	AE	0CW2216P524//	VINYL BAG A	
017	022	D	AA	0CW616371////	VINYL BAG C	(80×120)
017	023	D	AA	0CW1057P038//	VINYL BAG	
017	025	D	AL	0CW4110P911//	PAD-TRAY	
017	029	C	AH	0CW4A18952000	PLATE EARTH FRONT	
017	030	C	AK	0CW4A18953000	PLATE EARTH REAR	
018					18.Packing Material & Accessories[AR-PN1]	
018	001	D	AC	0CW2111P021//	VINYL BAG A	
018	002	D	AY	0CW1020K435//	PAD SET	
018	003	D	AF	0CW1020P832//	VINYL BAG E	
018	004	D	AH	0CW1020K375//	ASM-I/F	
018	006	D	AN	0CW1020K374//	ASM-POWER	
018	008	D	AA	0CW616371////	VINYL BAG C	(80×120)
018	010	D	AF	0CW4B10489000	LABEL	
020					20.DC CONTROLLER PCB ASSEMBLY	
020	001	B	BB	0CW4110K323//	EP-ROM	(OKI)
020	002	B	AN	0CWWA70484000	IC S-93C46ADP EP-ROM	(S-93C46ADP)
020901		E	CD	0CW4110K322//	DC CONTROLLER PCB ASSEM(OKI)	

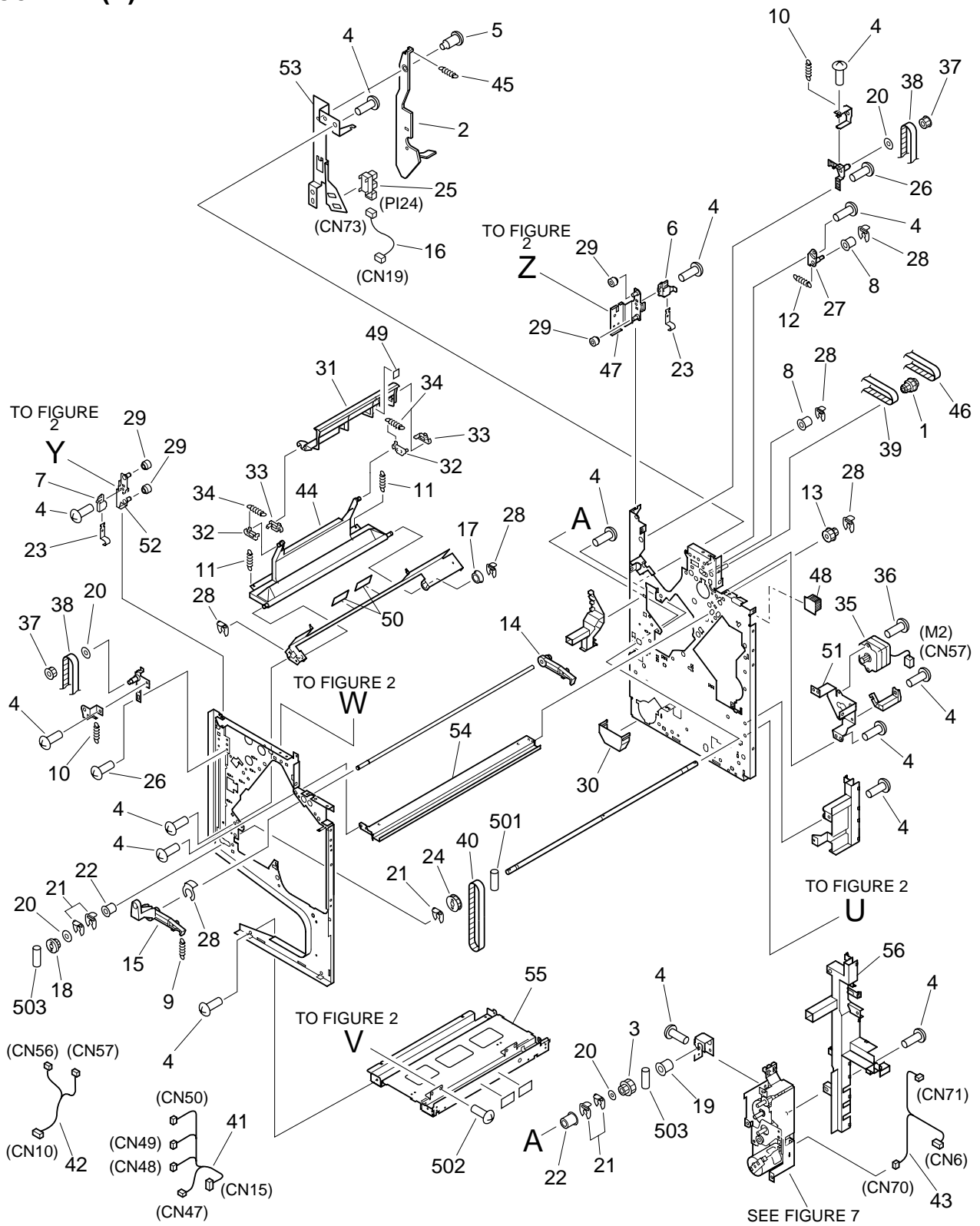
B83FSS
B83THP
B83USP
B83FBP (1)



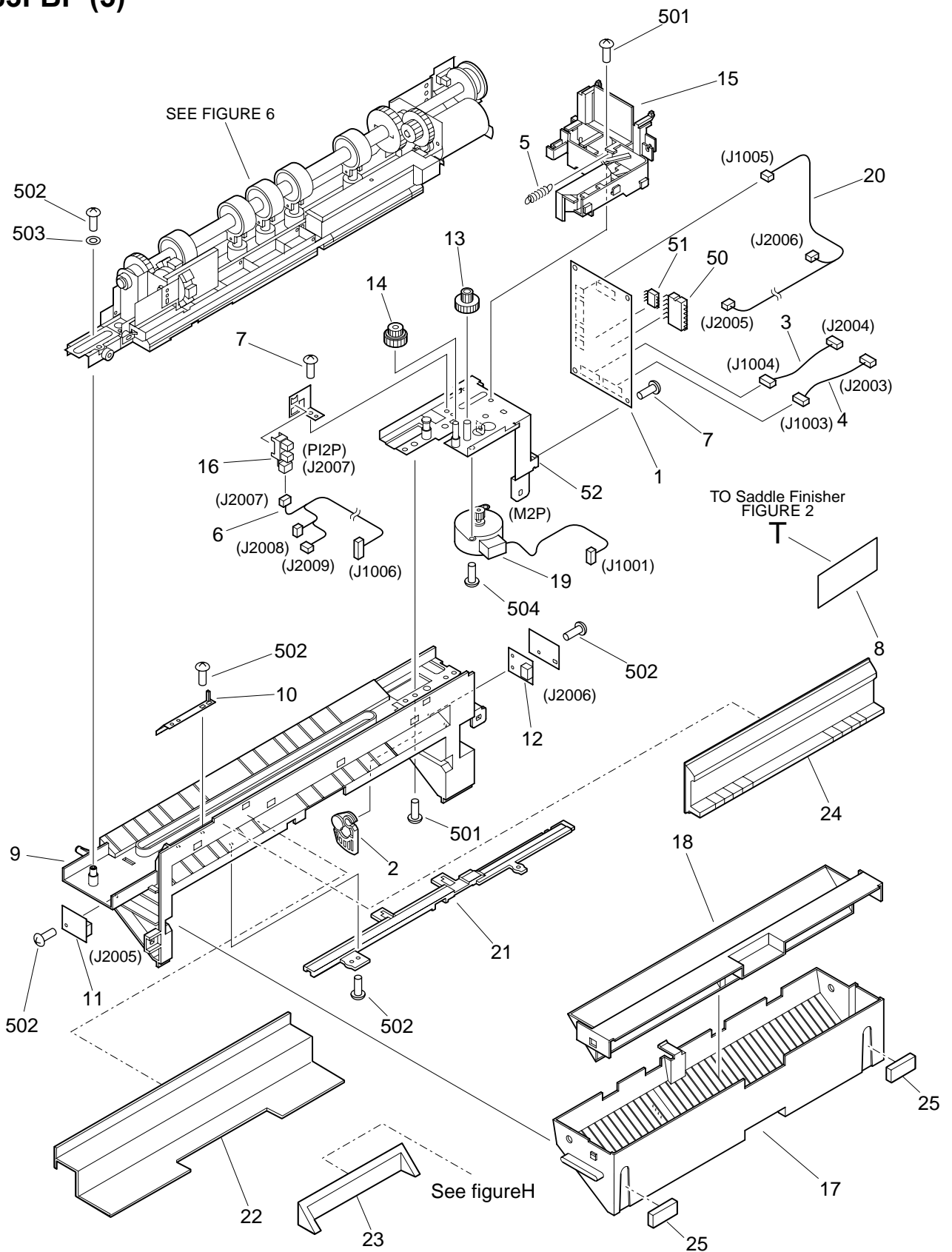
B83FSS
B83THP
B83USP
B83FBP (2)



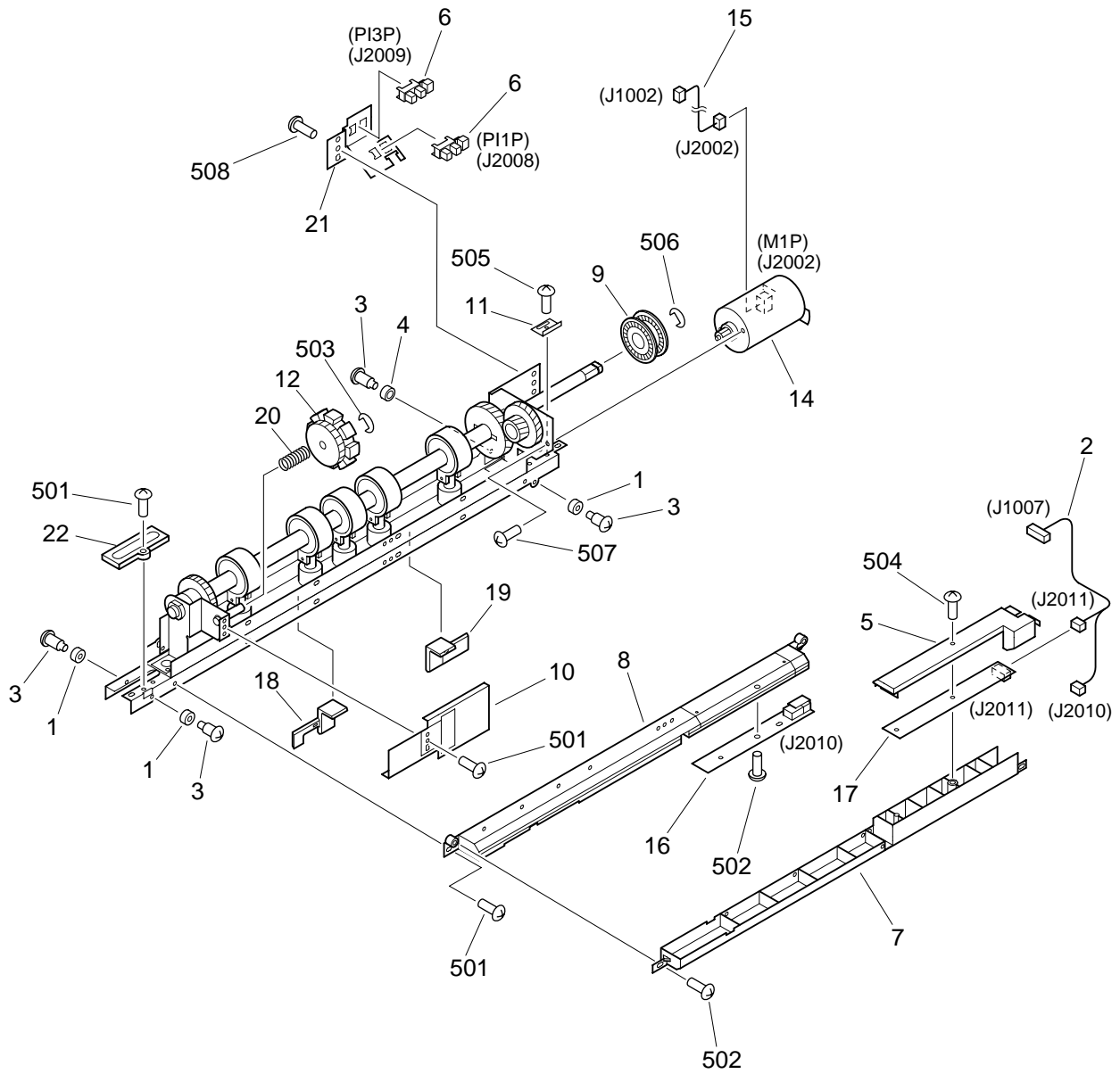
B83FSS
B83THP
B83USP
B83FBP (3)



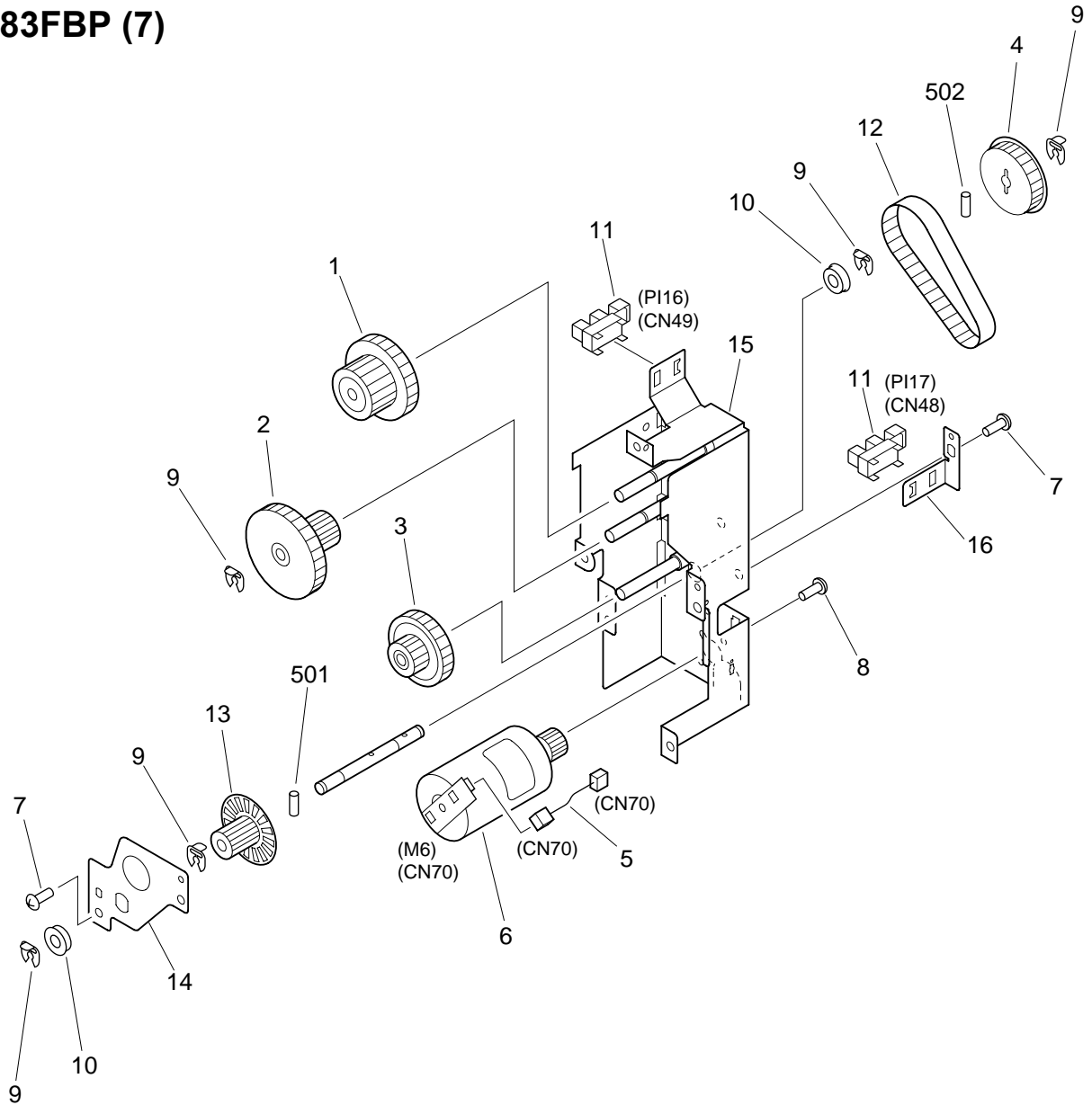
B83FSS
B83THP
B83USP
B83FBP (5)



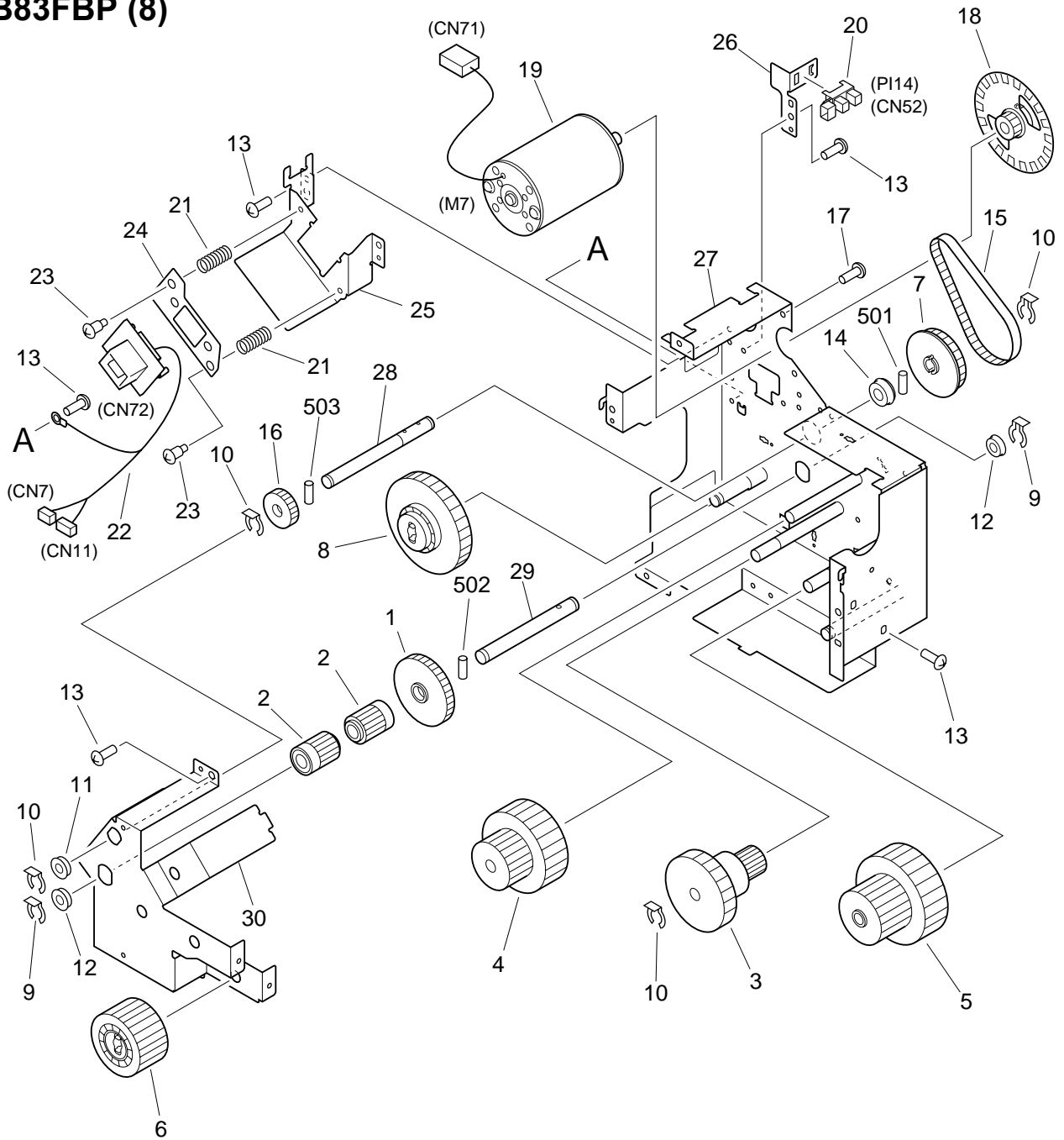
B83FSS
B83THP
B83USP
B83FBP (6)



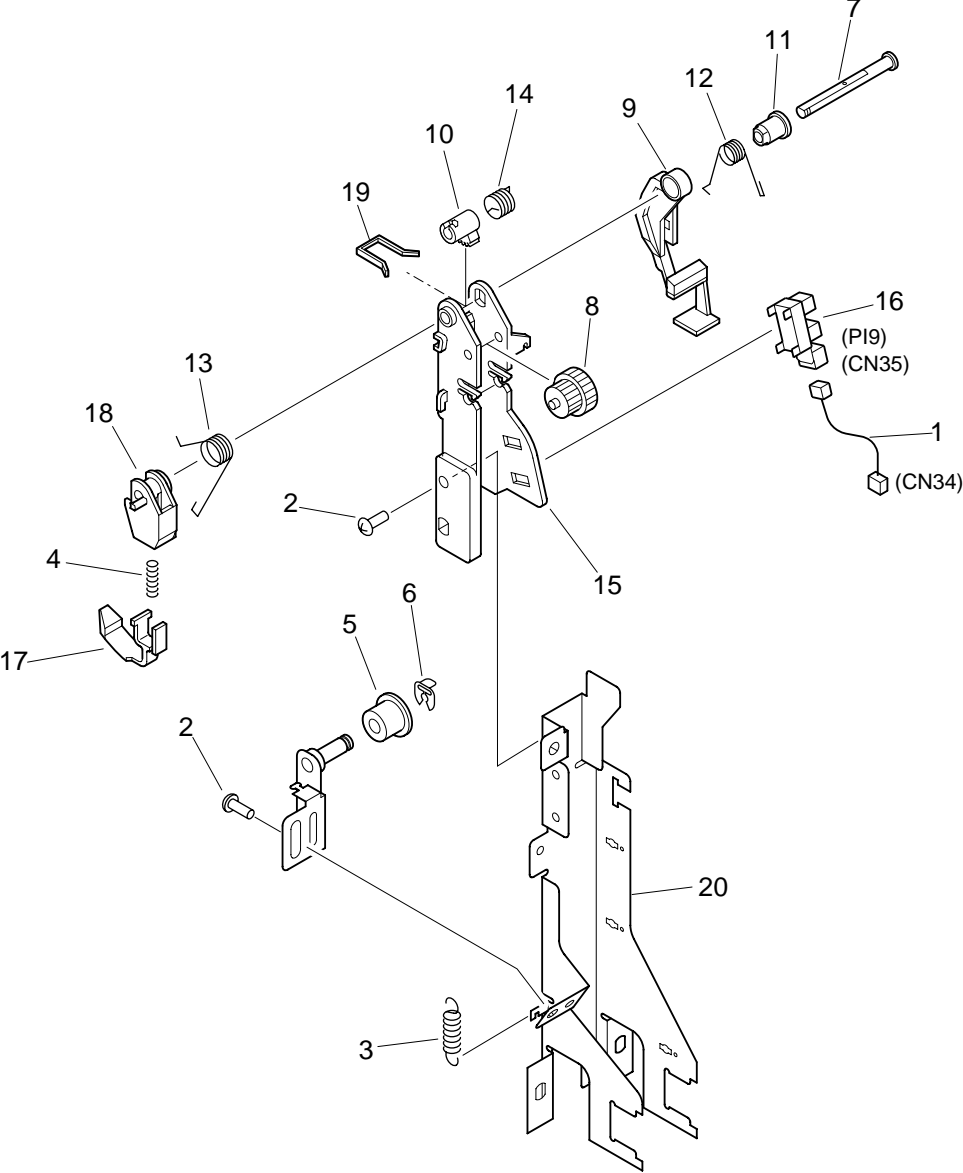
**B83FSS
B83THP
B83USP
B83FBP (7)**



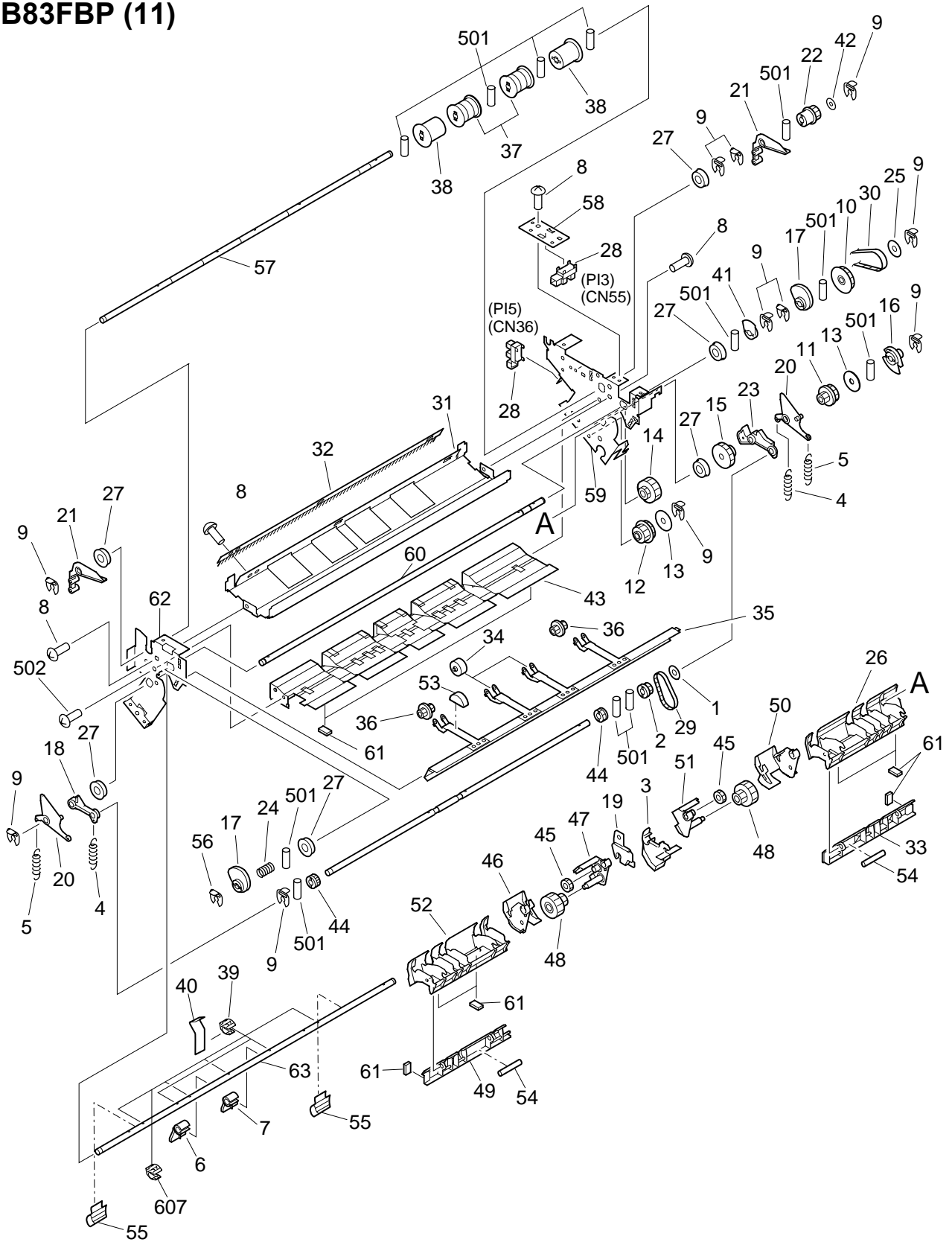
B83FSS
B83THP
B83USP
B83FBP (8)



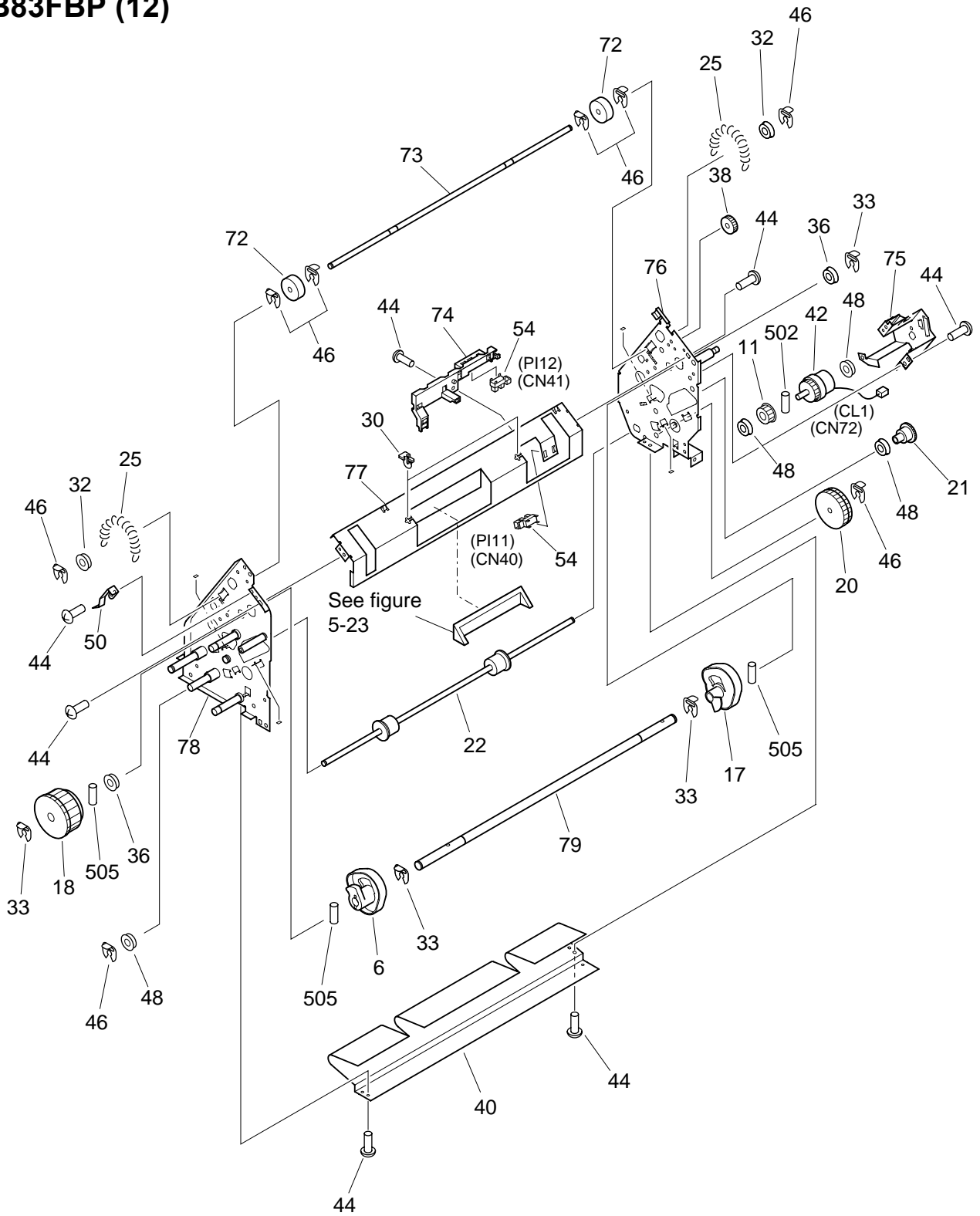
B83FSS
B83THP
B83USP
B83FBP (9)



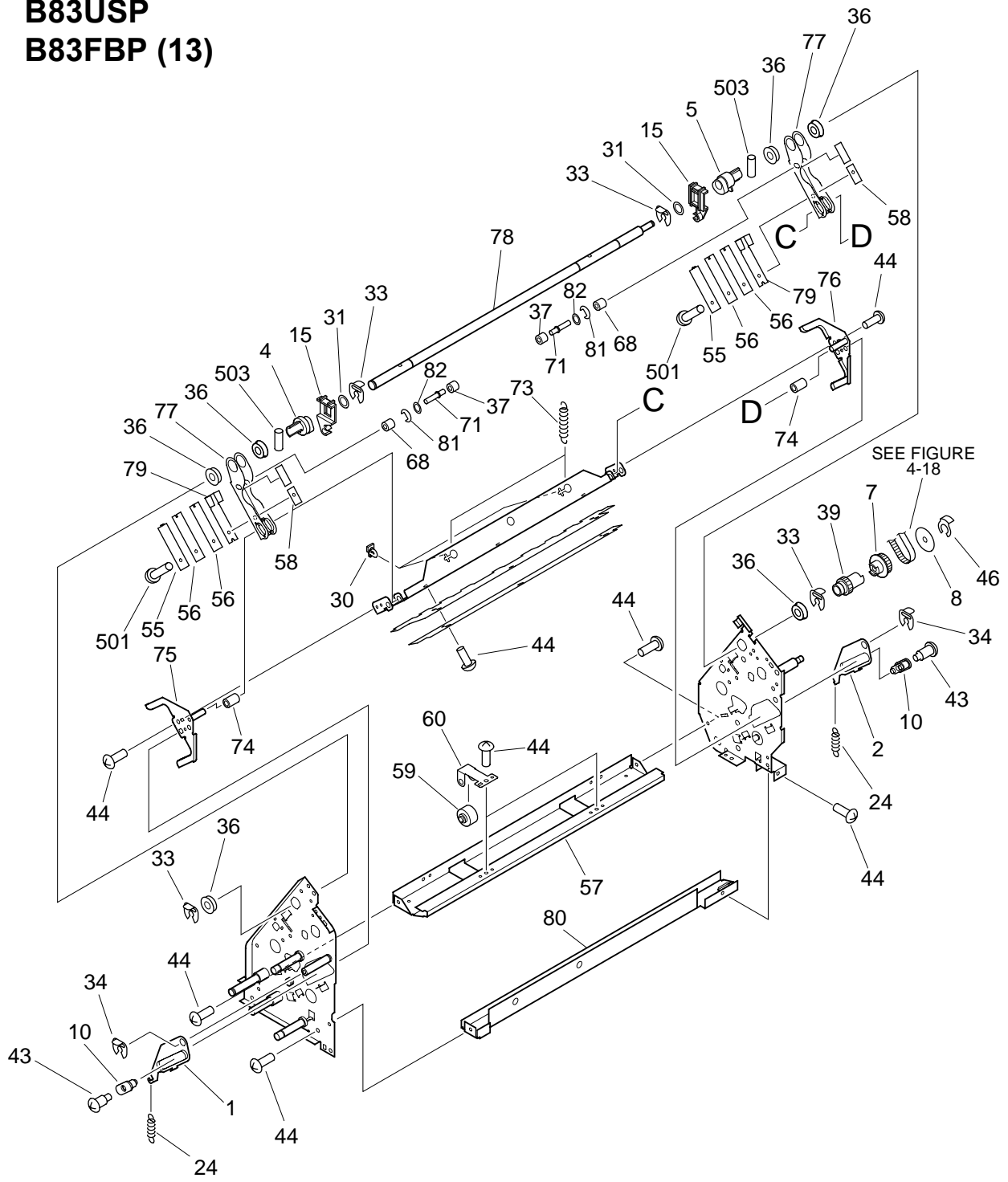
B83FSS
B83THP
B83USP
B83FBP (11)



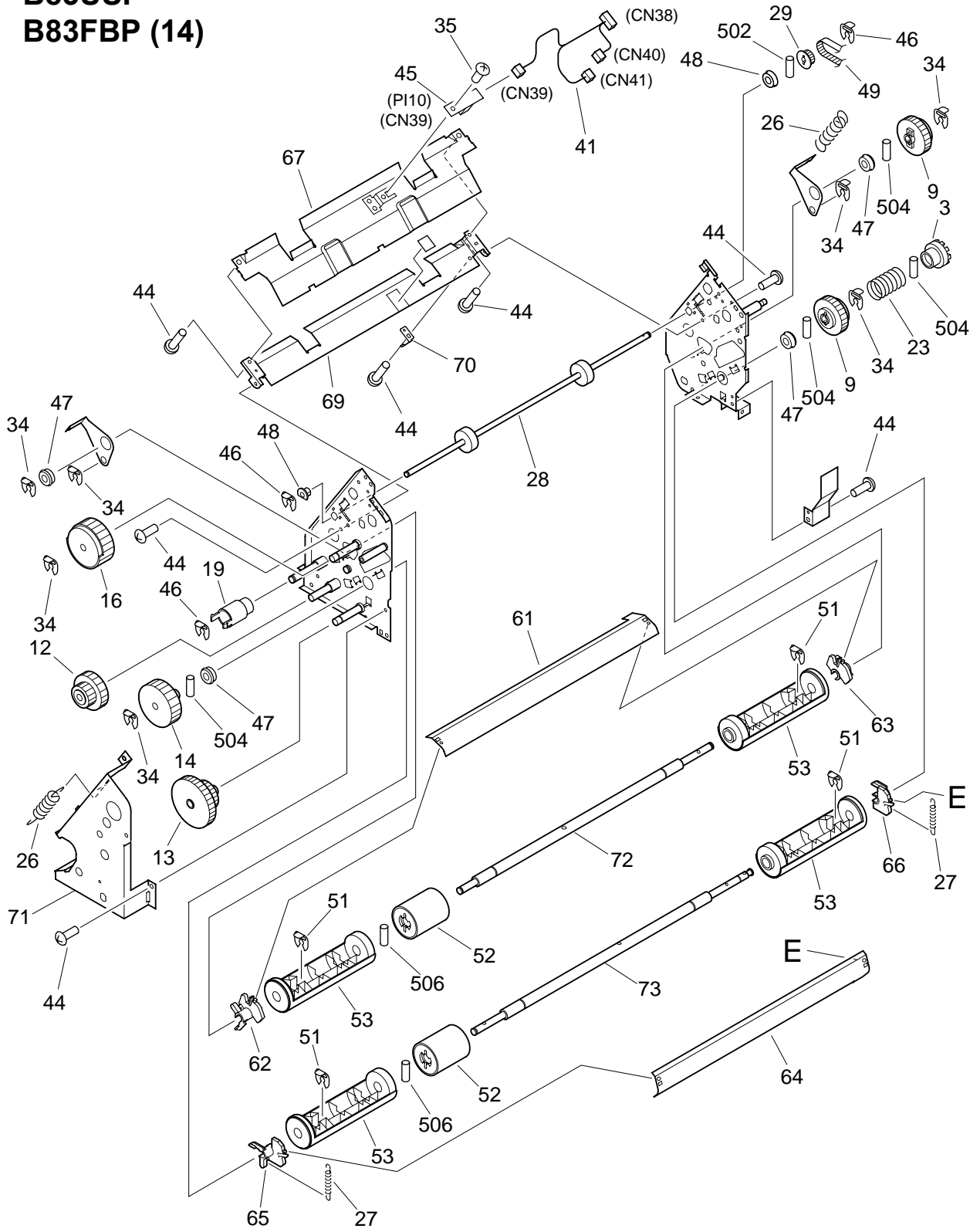
B83FSS
B83THP
B83USP
B83FBP (12)



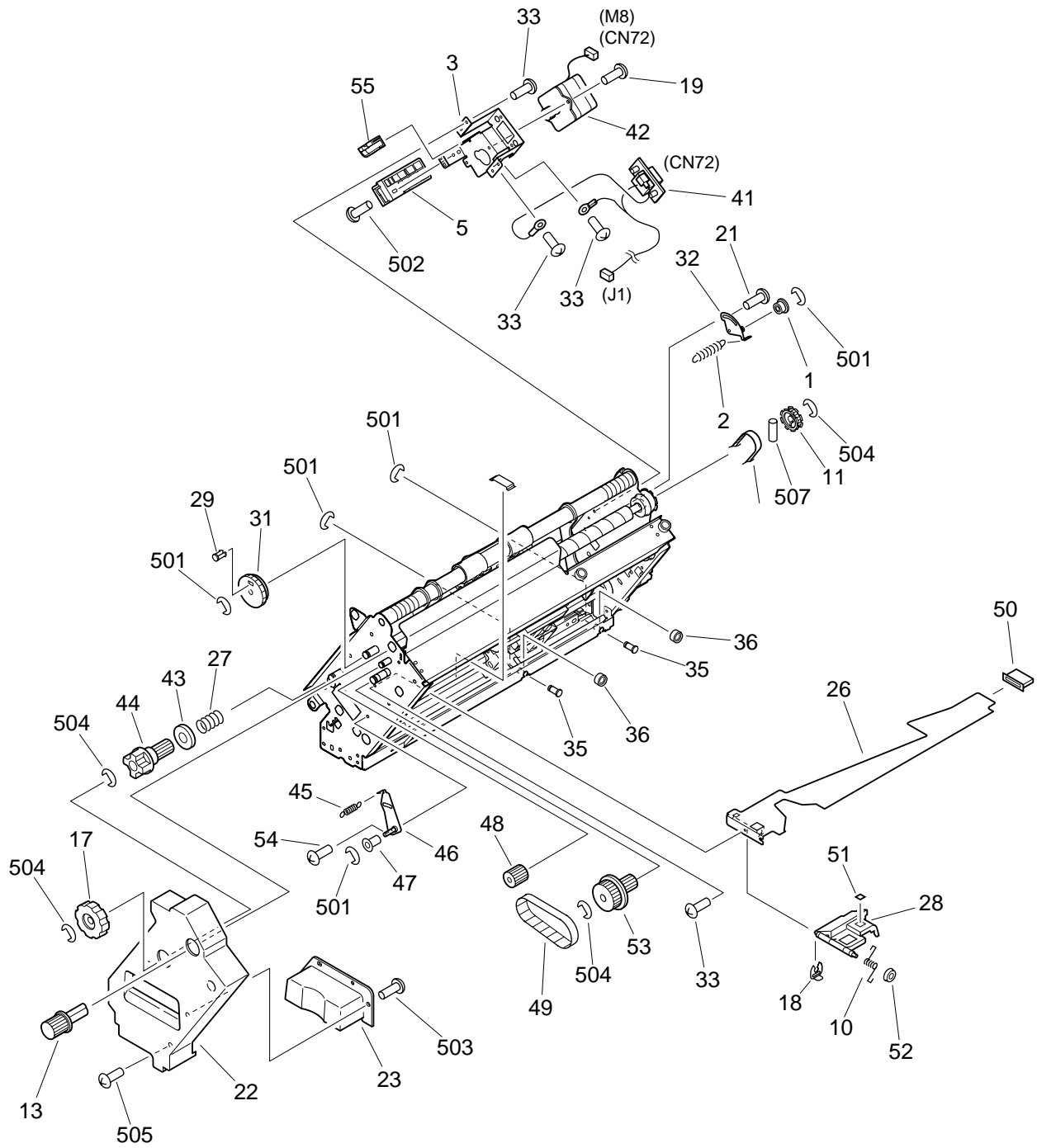
B83FSS
B83THP
B83USP
B83FBP (13)



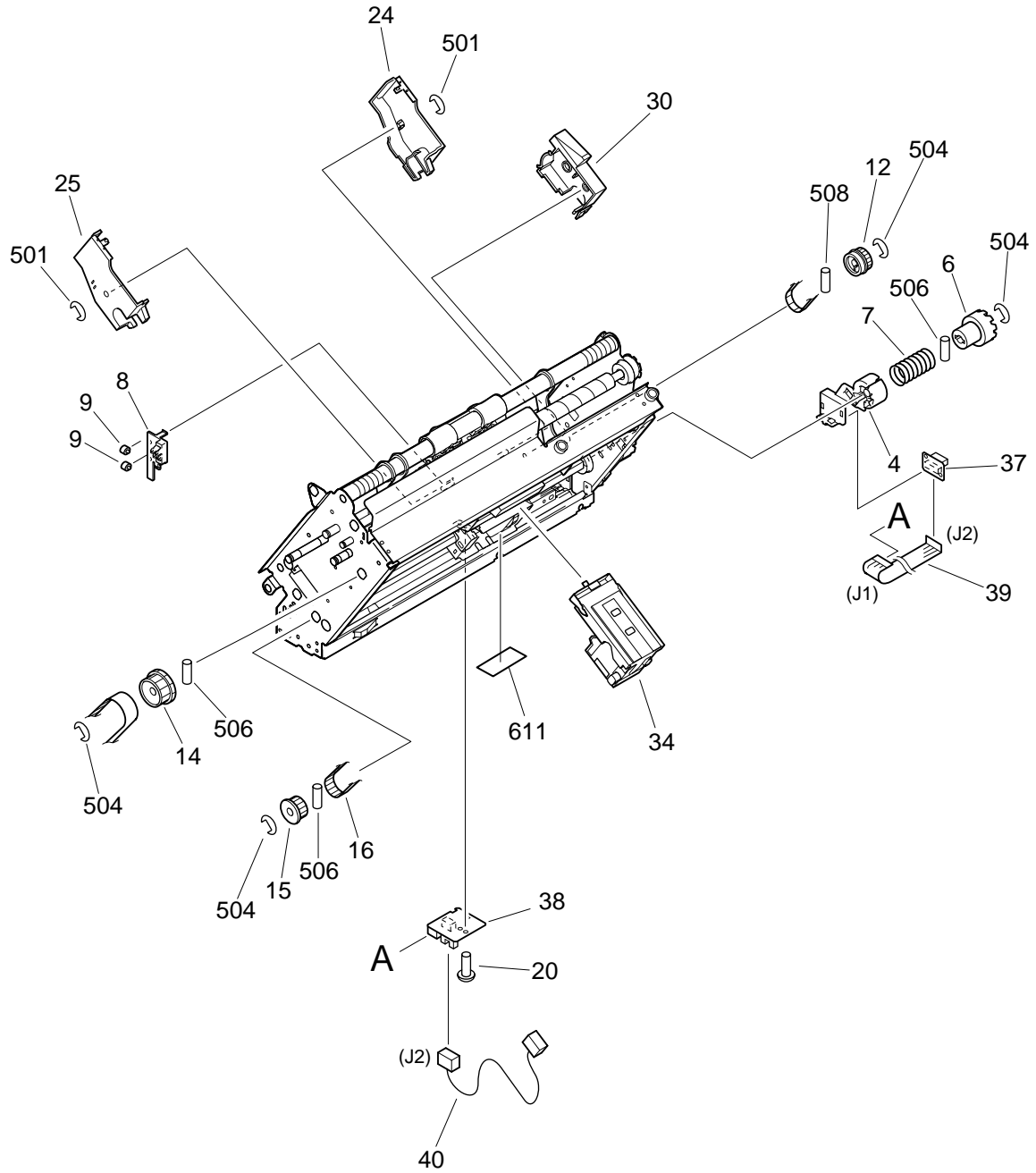
B83FSS
B83THP
B83USP
B83FBP (14)



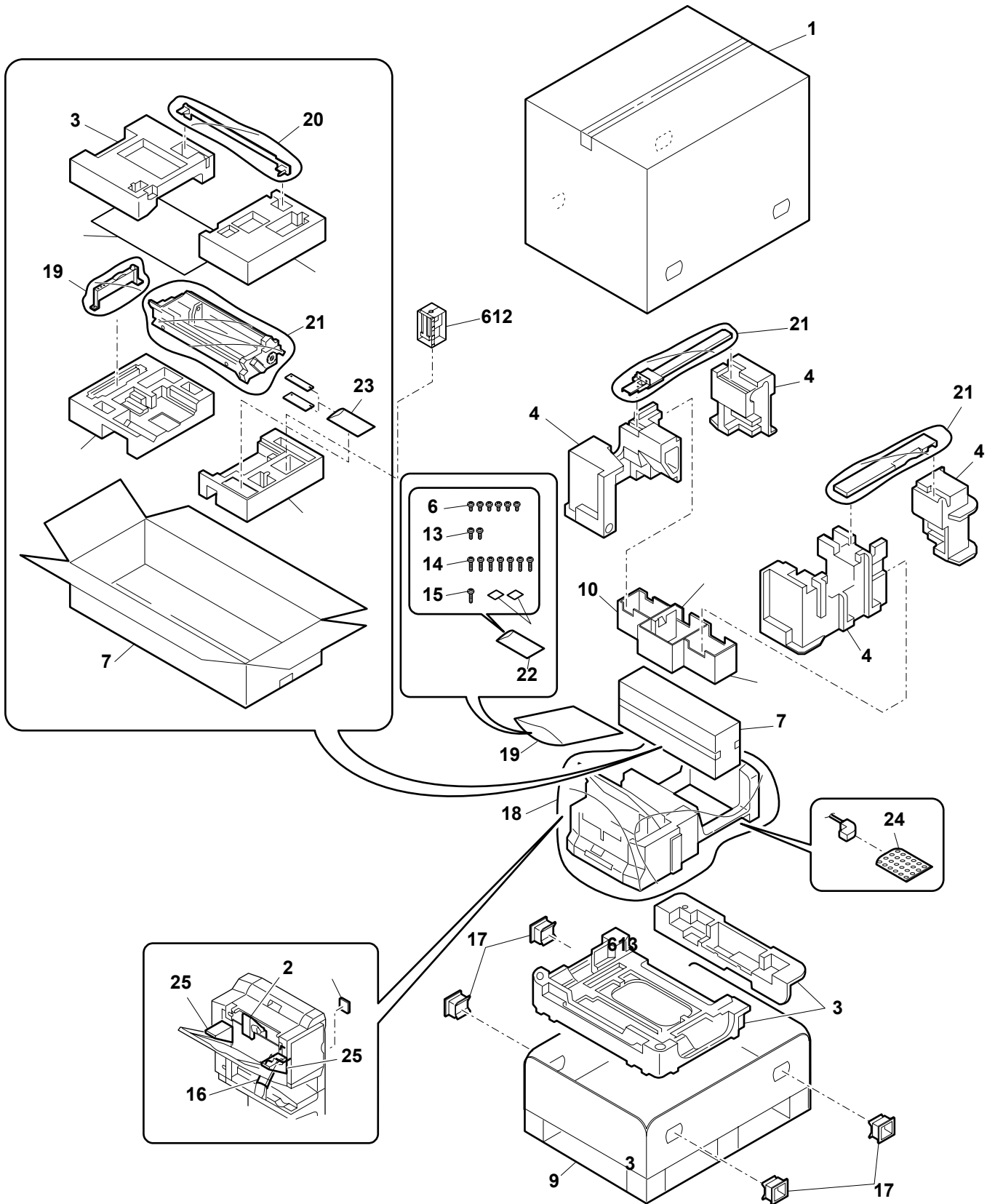
B83FSS
B83THP
B83USP
B83FBP (15)



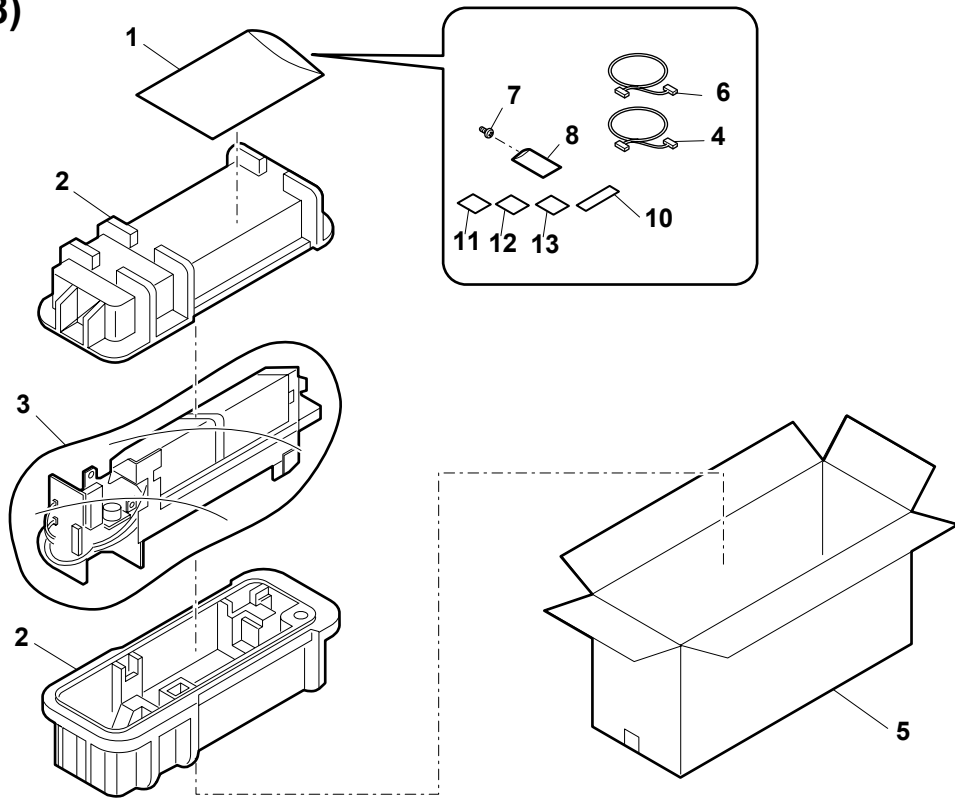
B83FSS
B83THP
B83USP
B83FBP (16)



B83FSS
B83THP
B83USP
B83FBP (17)



B83FSS
B83THP
B83USP
B83FBP (18)

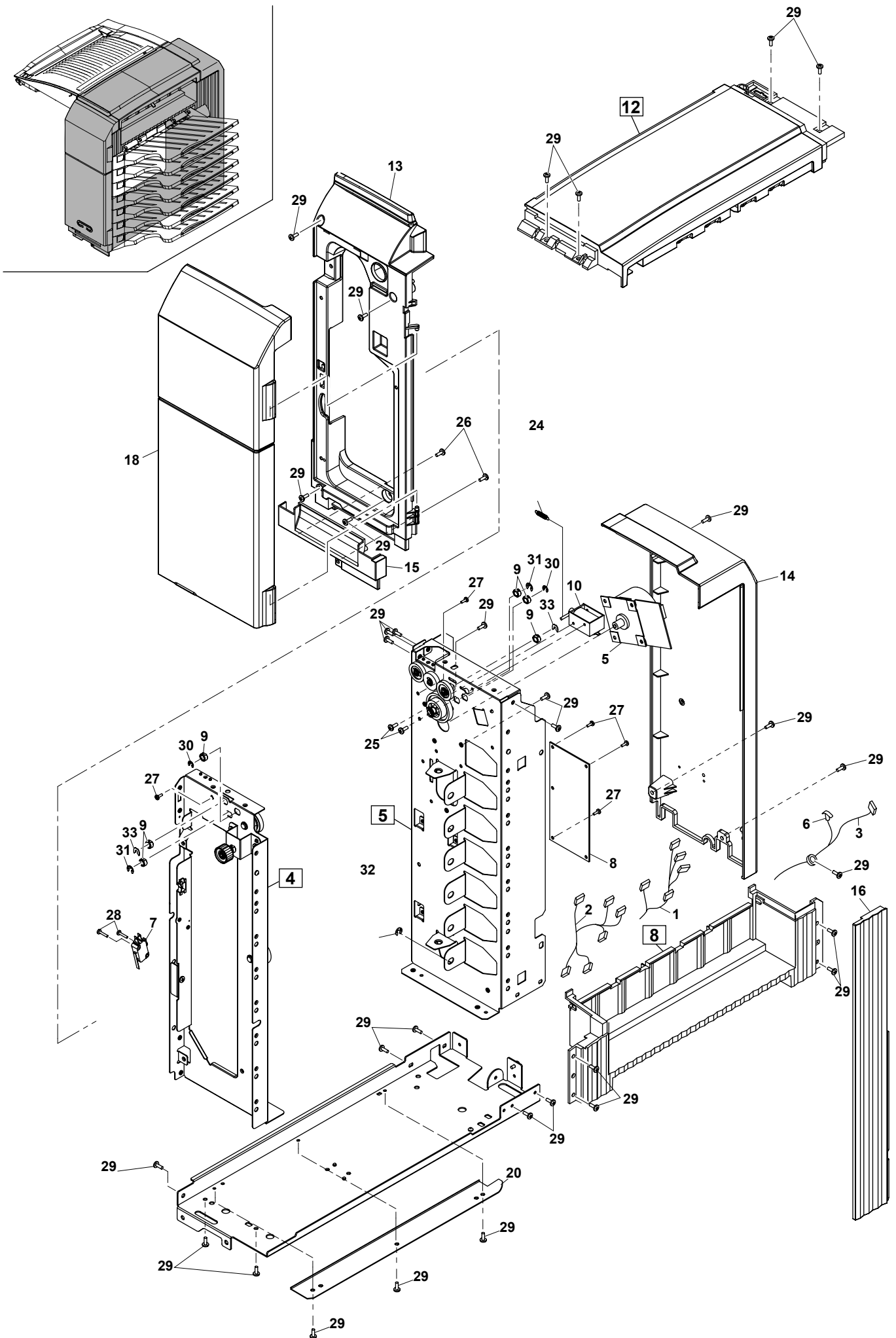


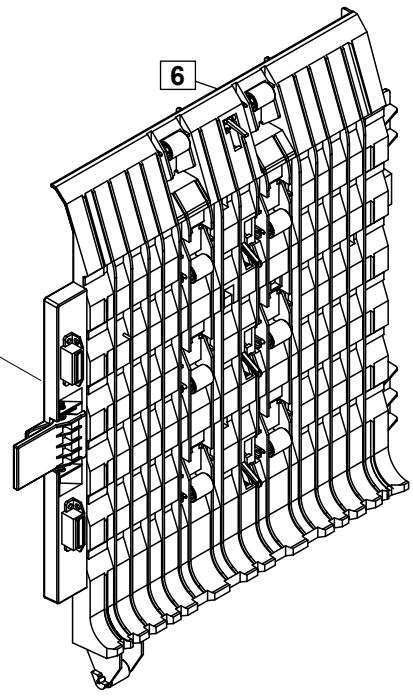
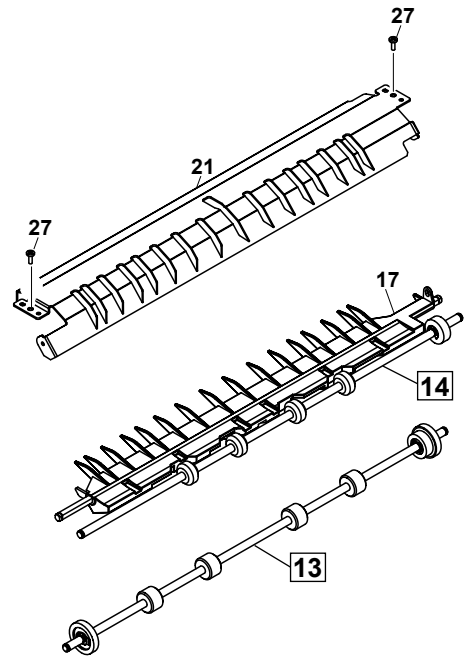
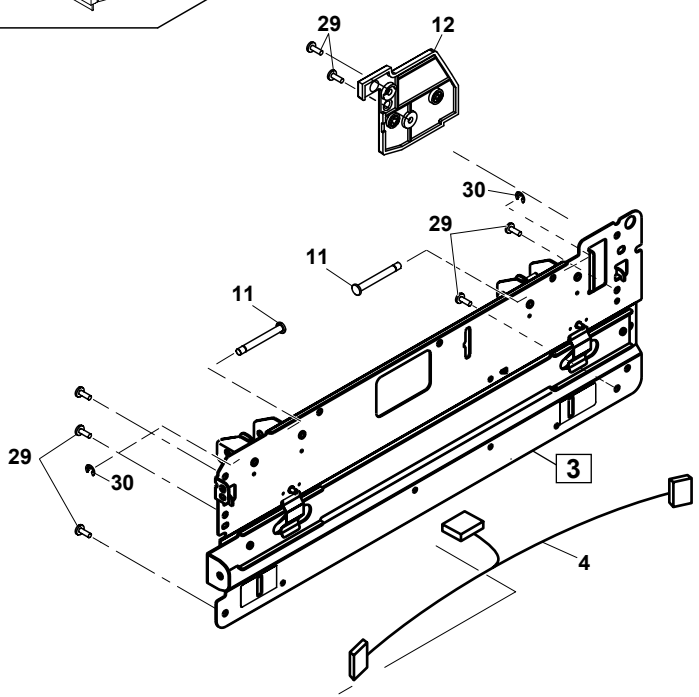
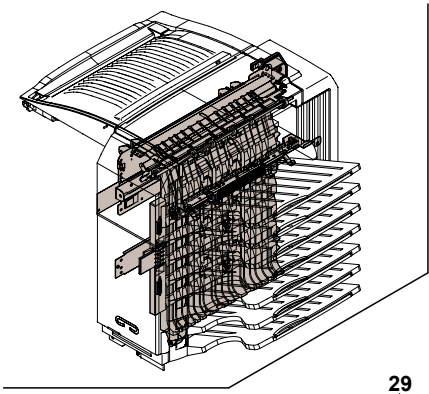
BLK	UNIT	ITEM	RANK	PRICE	PARTS CODE	DESCRIPTION	SPEC	LOCATION
001						1.Body assembly 1/2		
001		001	C	AX	DHAI-3232FCPZ	SM tray relay harness		
001		002	C	BD	DHAI-3233FCPZ	SM main harness		
001		003	C	AZ	DHAI-3234FCPZ	SM harness		
001		005	B	BP	RMOTP0919FCZZ	Transport motor SFN		
001		006	C	AC	LBNDJ0071FCZZ	Snap band		
001		007	B	AH	QSW-M0502FCZZ	Micro switch		
001		008	E	BR	CPWBN1480FC34	SM main PWB unit		
001		009	C	AC	NBRGM0096FCZ1	Bearing	(φ6 WD)	
001		010	B	AW	RPLU-0338FCPZ	ADU gate solenoid		
001		013	D	BP	GCAB-0962FCT3	Front cabinet		
001		014	D	BQ	GCAB-0963FCT5	Rear cabinet		
001		015	D	AS	GCAB-0969FCBZ	Front cabinet under		
001		016	D	BG	GCAB-0973FCT2	MB right rear cabinet		
001		018	D	BP	GDOR-0035FCT1	Front door MAIL		
001		020	C	AH	LPLTM5915FCZZ	Bottom plate joint plate		
001		024	C	AD	MSPRT2938FCZZ	Paper entry gate solenoid spring		
002						2.Body assembly 2/2		
002		004	C	AX	DHAI-3249FCPZ	SMFR relay harness		
002		011	C	AF	NSFTZ2644FCZZ	Staple rotation shaft		
002		012	D	AZ	GCAB-0961FCTZ	Rear cabinet upper		
002		017	C	BB	PGIDM1956FCZZ	M paper entry gate		
002		021	C	AP	PGIDH1942FCZZ	Paper entry under PG		
003						3.Left cover unit		
003		001	C	AH	NSFTZ2663FCZZ	Relay lock shaft		
003		002	D	BK	PCOVP1582FCZ1	Left cover		
003		003	C	AL	LPLTM5858FCZ1	Body fixing slide plate		
003		004	C	AG	LPLTM5860FCZZ	Interface fixing plate R		
003		005	C	AK	MSPRP2976FCZZ	Body earth spring		
003		006	C	AC	MSPRC2950FCZZ	ST lock spring		
003		007	C	AD	MSPRT3013FCZZ	Slide plate return spring		
004						4.F frame unit		
004		001	C	AD	LHLDW1490FCZZ	Edge wire saddle	(EWSE-2-01)	
004		002	B	AP	NBLTH0349FCZZ	Belt	(S3M474)	
004		003	C	AC	NBRGM0096FCZ1	Bearing	(φ6 WD)	
004		004	C	AT	NSFTZ2649FCZ1	Knob fixing shaft		
004		005	C	AK	NGERH1442FCZZ	Gear pulley	(30T/25P)	
004		006	C	AD	JKNBZ0135FCZZ	ADU rotation knob		
004		007	C	AC	NGERH0050GCZZ	Transport gear	(31T)	
004		008	C	AD	NGERH1258FCZZ	Gear	(33T)	
004		009	C	AQ	LPLTM5864FCZZ	Knob fixing plate		
004		011	C	AP	LPLTM5911FCZZ	Front cabinet assist plate		
004		012	C	AC	0EUCLR0307L//	Flange sheet		
004		013	C	AN	0EUGER0423N01	Gear		
004		015	C	AC	LPINS0327FCZZ	SP pin	(2×10)	
005						5.R frame unit		
005		002	C	AB	LSUPP0083FCZZ	Board Support	(LCBS-3)	
005		003	C	AF	NGERH1463FCZZ	Drive gear	(55T/25T)	
005		004	C	AB	NGERH0209FCZ1	Delivery roller gear	(24T)	
005		005	C	AC	NGERH1492FCZZ	Gear	(22T)	
006						6.Vertical transport PG unit		
006		001	C	AY	DHAI-3248FCPZ	SM vertically conveyance harness		
006		002	B	AZ	QSW-Z0530FCZZ	SM vertical transport sensor		
006		003	B	AF	VHPGP1AQ73A-18	Photo sensor	(GP1AQ73A)	
006		004	C	AK	MLEVP0809FCZZ	Paper detection actuator		
006		005	C	AF	LPLTP5827FCZZ	Multi sensor fixing plate		
006		006	C	BU	PGIDM1941FCZ1	MB vertical transport paper guide		
006		007	C	AL	JHNDP0162FCZZ	MB vertical transport open/close knob		
006		008	C	AG	NROLP1351FCZZ	Follower roller		
006		009	C	AG	PMAGT0078FCZZ	Magnet catch	(5.0)	
006		010	C	AB	PMLT-1279FCZZ	Delivery gate protection cushion		
006		011	D	AD	PCOVP1613FCZZ	MB sensor cover 1		
006		012	D	AF	PCOVP1614FCZZ	MB sensor cover 2		
006		013	C	AC	MSPRD2929FCZZ	Follower spring		
006		014	C	AC	MSPRD2990FCZZ	MB vertical transport ACT spring		
007						7.MB interface unit		
007		001	C	AT	DHAI-3228FCPZ	SF relay unit harness		
007		002	B	AS	QSW-Z0524FCZ1	SF relay paper in sensor		
007		003	B	AF	VHPGP1AQ73A-18	Photo sensor	(GP1AQ73A)	
007		004	B	AM	NBLTH0358FCZZ	Belt	(S3M288)	
007		005	B	AL	NBLTH0362FCZZ	Belt	(S3M171)	
007		006	C	AC	NBRGC0504FCZZ	Bearing		
007		007	C	AC	NBRGM0096FCZ1	Bearing	(φ6 WD)	
007		008	B	AR	RPLU-0340FCPZ	SF paper exit reversal gate solenoid		

BLK	UNIT	ITEM	RANK	PRICE	PARTS CODE	DESCRIPTION	SPEC	LOCATION
007		009	C	AY	NSFTZ2646FCZ1	Open/close shaft		
007		010	C	AX	NSFTZ2648FCZ1	Relay pressure shaft		
007		011	C	AV	NSFTZ2672FCZZ	Relay rink shaft		
007		012	C	AZ	PGIDM1933FCZ4	Relay under paper guide		
007		013	D	BN	PCOVP1584FCZ3	Upper cover		
007		014	C	AH	JHNDP0159FCZ1	Relay knob		
007		015	C	AF	MLEVP0823FCZZ	Lock lever		
007		016	C	AF	NPLYZ0383FCZZ	Pulley	(24P)	
007		017	C	AG	NROLP1351FCZZ	Follower roller		
007		018	C	AL	LPLTP5855FCZZ	Transmit plate		
007		019	C	AY	PGIDM1947FCZ2	Paper entry gate R		
007		020	D	BU	LDAIU0634FCZ3	Relay unit plate		
007		021	C	BH	PGIDM1948FCZ1	Relay upper paper guide		
007		022	C	AV	NGERH1450FCZZ	Gear	(20P24T)	
007		023	C	AF	0EUGER0417L//	Delivery gear	(29T)	
007		024	C	AE	0EUPLY0412M//	Pulley	(20PS3M)	
007		025	C	AZ	LHLDZ1498FCZZ	Relay follower holder		
007		026	C	AC	LPLTM5932FCZZ	Tray 2 sensor fixing plate		
007		027	D	AL	LFRM-1053FCZ1	Decurler drive frame F		
007		028	D	BC	LFRM-1052FCZ2	Relay drive frame R		
007		029	C	AV	MLEVF0835FCZ1	Open/close lever F		
007		030	C	AV	MLEVF0836FCZ1	Open/close lever R		
007		031	D	AE	PCOVP1612FCZ1	Paper entry sensor cover		
007		032	C	BE	NROLR1344FCZ1	Transport roller R1		
007		033	C	AV	NROLR1345FCZZ	Transport roller R2		
007		034	C	AZ	NROLR1361FCZZ	MB relay transport roller		
007		035	C	AE	PMLT-1248FCZ3	Paper entry gate R cushion		
007		036	C	AB	PSHEP4896FCZZ	Frange myler		
007		037	C	AA	LX-WZ2011SCZZ	Washer		
007		038	C	AD	MSPRD2922FCZ1	Transmit plate spring		
007		039	C	AC	MSPRD2929FCZZ	Follower spring		
007		040	C	AC	MSPRD2941FCZ1	Relay lock spring		
007		041	C	AC	MSPRD3006FCZ1	Transmit plate return spring		
007		042	C	AE	MSPRT2942FCZZ	Relay open/close spring		
007		043	C	AC	MSPRT2946FCZZ	Paper entry gate R spring		
007		044	C	AB	LPINS0261FCZZ	SP pin	(3×10)	
007		055	C	AC	PMLT-1274FCZZ	Paper entry gate cushion		
007		056	C	AC	PSHEZ4958FCZZ	PID cover sheet		
007		057	C	AE	PTUBP0136FCZZ	Relay roller tube 1		
007		058	C	AF	PTUBP0137FCZZ	Relay roller tube 2		
007		059	C	AB	PMLT-1279FCZZ	Delivery gate protection cushion		
007		060	C	AC	PMLT-1292FCZZ	PF gate protection cushion		
008						8.Delivery cabinet unit		
008		001	B	AF	VHPGP1AQ73A-18	Photo sensor	(GP1AQ73A)	
008		002	C	AC	NBRGM0096FCZ1	Bearing	(φ6 WD)	
008		003	C	AP	MLEVP0824FCZ2	Mail tray actuator		
008		004	C	AP	MLEVP0825FCZ1	After edge actuator		
008		005	D	BK	GCAB-0971FCT2	Delivery cabinet MAIL		
008		006	C	AB	NGERH0209FCZ1	Delivery roller gear	(24T)	
008		007	B	BF	PBRSS0214FCZZ	MB1 conveniece electric discharger brush		
008		008	C	BC	LPLTM5862FCZZ	Delivery roller fixing plate		
008		009	C	AW	NROLR1430FCZZ	MB delivery roller		
008		013	C	AC	LPINS0326FCZZ	SP pin	(2×8)	
009						9.MB tray 135 unit		
009		001	B	AF	VHPGP1AQ73A-18	Photo sensor	(GP1AQ73A)	
009		002	C	AC	NBRGM0096FCZ1	Bearing	(φ6 WD)	
009		003	B	AW	RPLU-0338FCPZ	ADU gate solenoid		
009		004	C	AF	NROLP1347FCZ2	MB delivery follower roller		
009		005	C	BA	PGIDM1939FCZZ	MB delivery gate		
009		006	C	AP	MLEVP0824FCZ2	Mail tray actuator		
009		007	C	BB	PGIDM1940FCZZ	Tray under paper guide		
009		008	C	AP	MLEVP0825FCZ1	After edge actuator		
009		009	C	AF	LHLDZ1467FCZZ	MB delivery follower roller holder		
009		010	D	BA	LSOU-0186FCNZ	Mail convenience tray 2		
009		011	D	BL	LSOU-0187FCN1	Mail convenience tray 1		
009		012	C	AH	NGERH1443FCZZ	Vertical transport idle gear	(27T)	
009		013	C	AB	NGERH0209FCZ1	Delivery roller gear	(24T)	
009		014	C	AB	NGERH1493FCZZ	Gear	(16T)	
009		015	B	BF	PBRSS0213FCZZ	Mail tray electric discharger brush		
009		016	C	AD	LPLTM5908FCZZ	Full detection sensor fixing plate		
009		017	C	AF	QEARP0130FCZZ	Tray earth plate		
009		018	C	AW	NROLR1430FCZZ	MB delivery roller		
009		019	C	AV	NROLR1353FCZZ	MB vertical transport roller 2		
009		020	C	AB	MSPRC2935FCZZ	MB delivery follower roller spring		

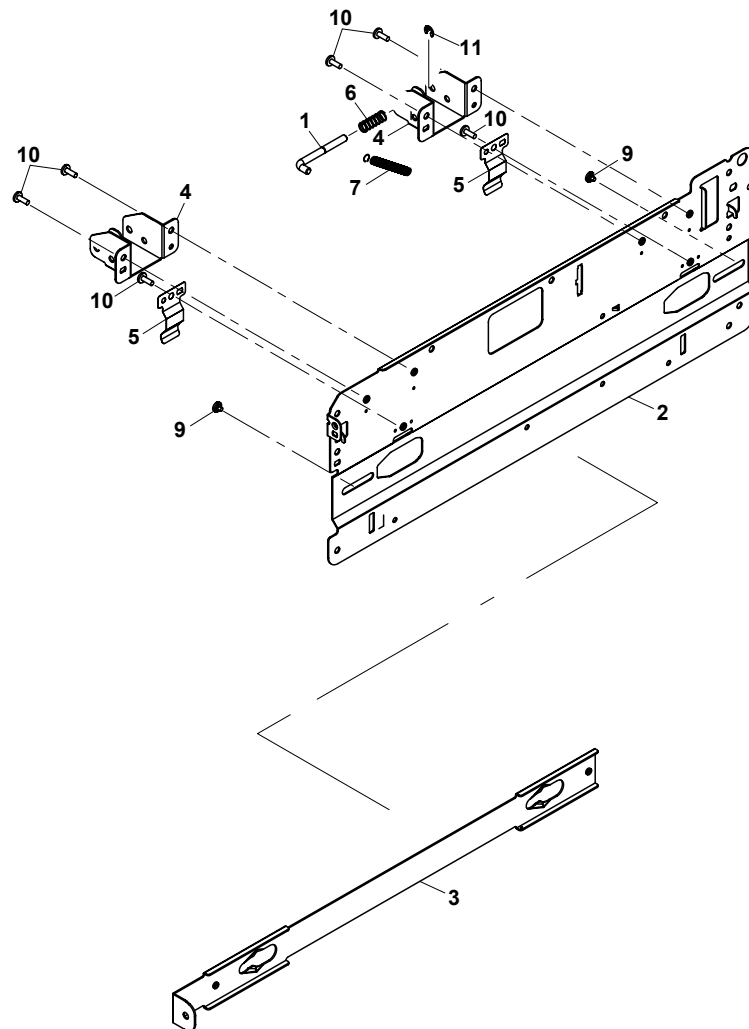
BLK	UNIT	ITEM	RANK	PRICE	PARTS CODE	DESCRIPTION	SPEC	LOCATION
009		021	C	AC	MSPRT2936FCZZ	MB delivery gate return spring		
009		022	C	AC	MSPRD2937FCZZ	Vertical transport roller earth spring		
009		028	C	AC	LPINS0326FCZZ	SP pin	(2×8)	
009		029	C	AB	PMLT-1281FCZZ	Paper feed gate protection cushion 2		
009		030	D	AH	TLABZ4428FCZZ	NO. label set		
010						10.MB tray 246 unit		
010		001	B	AF	VHPGP1AQ73A-18	Photo sensor	(GP1AQ73A)	
010		002	C	AC	NBRGM0096FCZ1	Bearing	(φ6 WD)	
010		003	B	AW	RPLU-0338FCPZ	ADU gate solenoid		
010		004	C	AF	NROLP1347FCZ2	MB delivery follower roller		
010		005	C	BA	PGIDM1939FCZZ	MB delivery gate		
010		006	C	AP	MLEVP0824FCZZ	Mail tray actuator		
010		007	C	BB	PGIDM1940FCZZ	Tray under paper guide		
010		008	C	AP	MLEVP0825FCZ1	After edge actuator		
010		009	C	AF	LHLDZ1467FCZZ	MB delivery follower roller holder		
010		010	D	BA	LSOU-0186FCNZ	Mail convenience tray 2		
010		011	D	BL	LSOU-0187FCN1	Mail convenience tray 1		
010		012	C	AB	NGERH0209FCZ1	Delivery roller gear	(24T)	
010		013	B	BF	PBRSS0213FCZZ	Mail tray electric discharger brush		
010		014	C	AD	LPLTM5908FCZZ	Full detection sensor fixing plate		
010		015	C	AF	QEARP0130FCZZ	Tray earth plate		
010		016	C	AW	NROLR1430FCZZ	MB delivery roller		
010		017	C	AB	MSPRC2935FCZZ	MB delivery follower roller spring		
010		018	C	AC	MSPRT2936FCZZ	MB delivery gate return spring		
010		023	C	AC	LPINS0326FCZZ	SP pin	(2×8)	
010		024	C	AB	PMLT-1281FCZZ	Paper feed gate protection cushion 2		
010		025	D	AH	TLABZ4428FCZZ	NO. label set		
011						11.MB tray unit		
011		001	C	AF	NROLP1347FCZ2	MB delivery follower roller		
011		002	C	AF	LHLDZ1467FCZZ	MB delivery follower roller holder		
011		003	D	BA	LSOU-0186FCNZ	Mail convenience tray 2		
011		004	D	BL	LSOU-0187FCN1	Mail convenience tray 1		
011		005	C	AB	MSPRC2935FCZZ	MB delivery follower roller spring		
011		006	D	AH	TLABZ4428FCZZ	NO. label set		
012						12.Top cabinet unit		
012		001	C	AP	DHAI-3247FCPZ	SM top cabinet harness		
012		002	B	AP	QSW-Z0528FCZ1	SF paper in sensor		
012		003	B	AF	VHPGP1AQ73A-18	Photo sensor	(GP1AQ73A)	
012		004	C	AG	PCLR-0472FCZZ	MB delivery follower roller		
012		005	C	AV	NSFTZ2682FCZZ	MB delivery follower shaft		
012		006	C	AQ	MLEVP0822FCZZ	Actuator		
012		007	D	BQ	GCAB-0972FCT1	Upper cabinet MAIL		
012		008	B	BF	PBRSS0214FCZZ	MB1 conveniece electric discharger brush		
012		009	C	BE	PGIDH1954FCZZ	Delivery PG upper		
012		010	C	AC	PMLT-1280FCZZ	Paper entry gate protection cushion		
012		011	C	AD	MSPRT2939FCZZ	T tray delivery follower roller spring		
012		014	C	AE	PSHEZ4902FCZZ	Actuator silencer sheet upper		
012		015	C	AA	LX-WZ2011SCZZ	Washer		
013						13.Vertical transport roller unit		
013		001	C	AX	NROLR1349FCZZ	Vertical transport roller 1		
013		002	C	AB	NGERH0209FCZ1	Delivery roller gear	(24T)	
013		003	C	AB	NGERH0863FCZZ	Pick up roller gear	(18T)	
013		004	C	AC	LPINS0326FCZZ	SP pin	(2×8)	
013		005	C	AC	LPINS0327FCZZ	SP pin	(2×10)	
014						14.Delivery roller unit		
014		001	C	AY	NROLR1350FCZZ	Delivery roller 1		
014		002	C	AB	NGERH0863FCZZ	Pick up roller gear	(18T)	
014		003	C	AC	LPINS0327FCZZ	SP pin	(2×10)	
015						15.Packing material & accessories		
015		001	D	BB	SPAKA6181FCZZ	MAIL top add		
015		002	C	AD	LPLTM5807FCZZ	OP fixing plate R		
015		002	C	AE	LPINS0328FCZZ	Bottom plate regulate pin		
015		004	D	AA	SPAK-545ECCZZ	Vinyl bag	(100×220)	
015		008	D	AF	0EUSAK0614T//	Vinyl bag	(1000×740)	
015		009	D	BB	SPAKA6183FCZZ	Bottom add		
015		010	D	BF	SPAKC6369FCZZ	MAIL Packing case		
015		101	D	BE	LSOU-0188FCZZ	Top convenience tray		
015		102	D	AP	LSOU-0177FCG5	Delivery tray T		

B83MB (1)

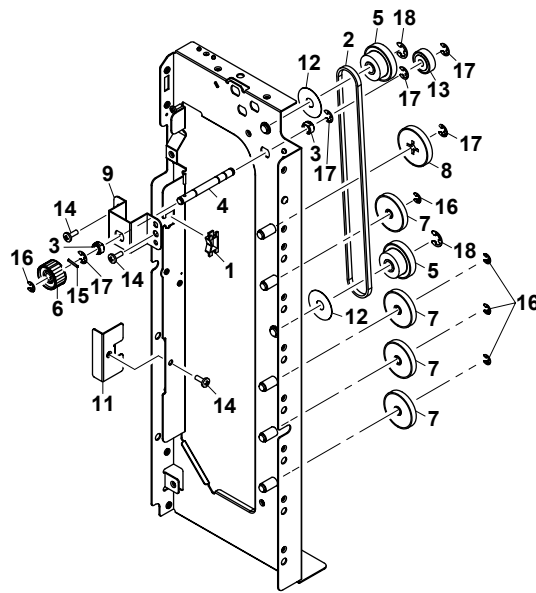




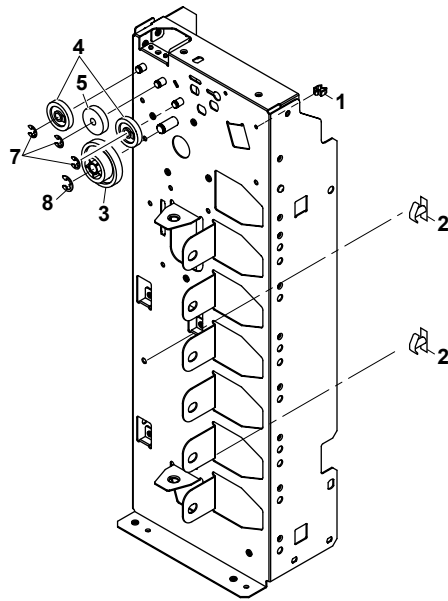
B83MB (3)



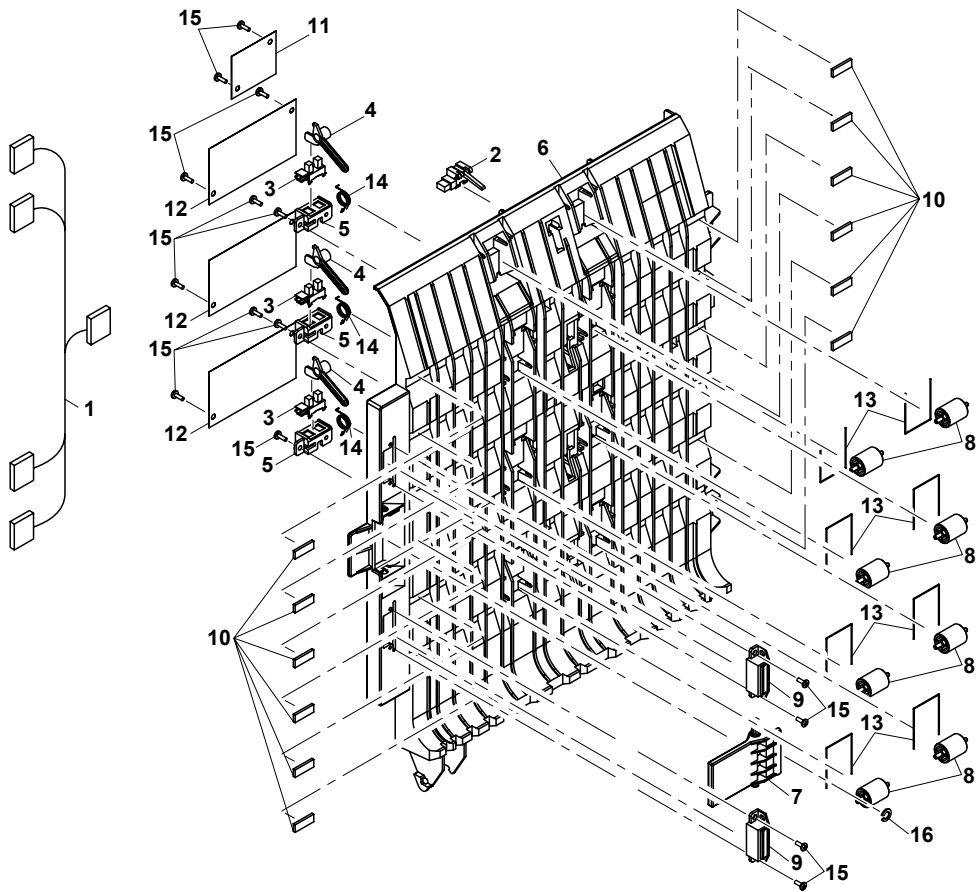
B83MB (4)



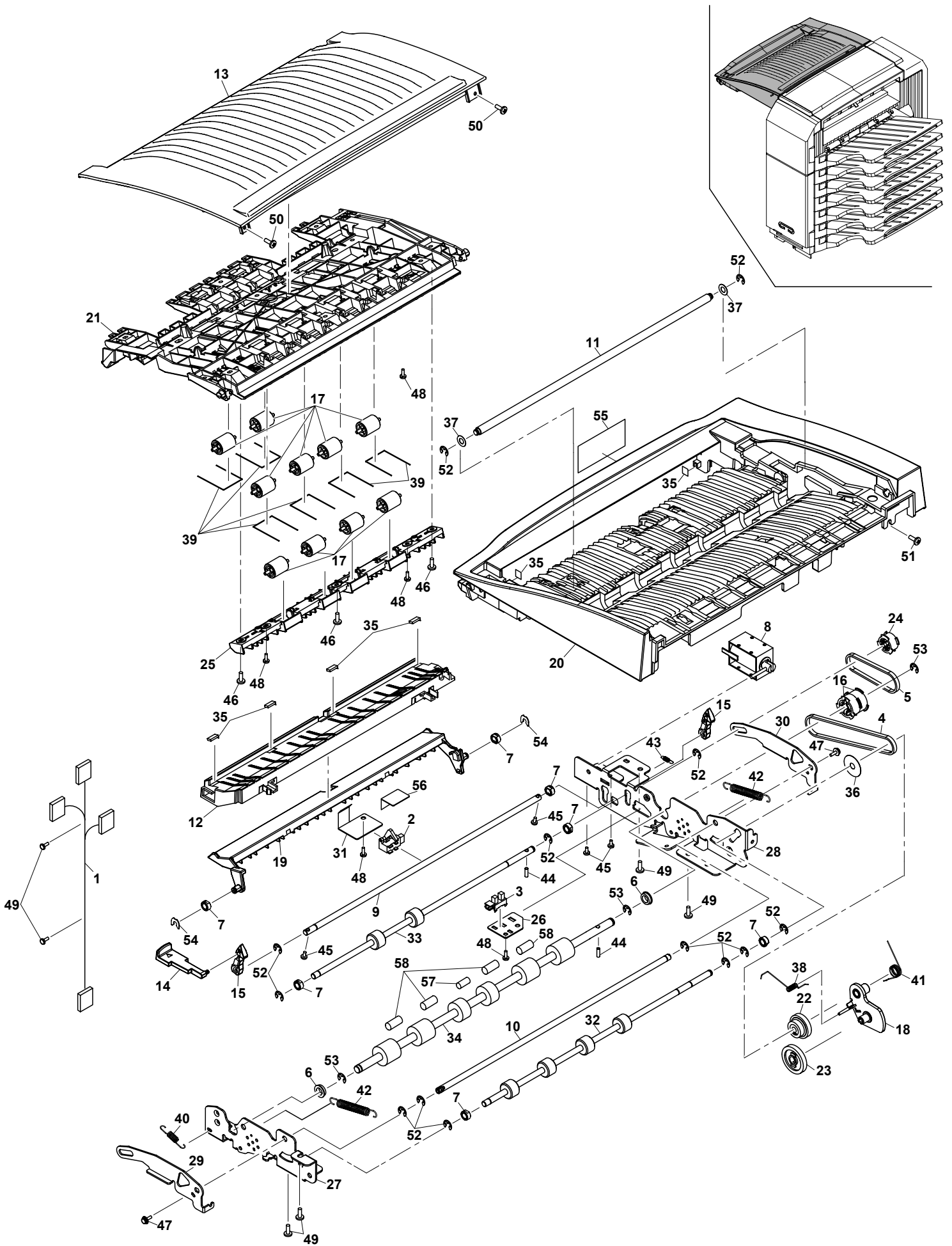
B83MB (5)



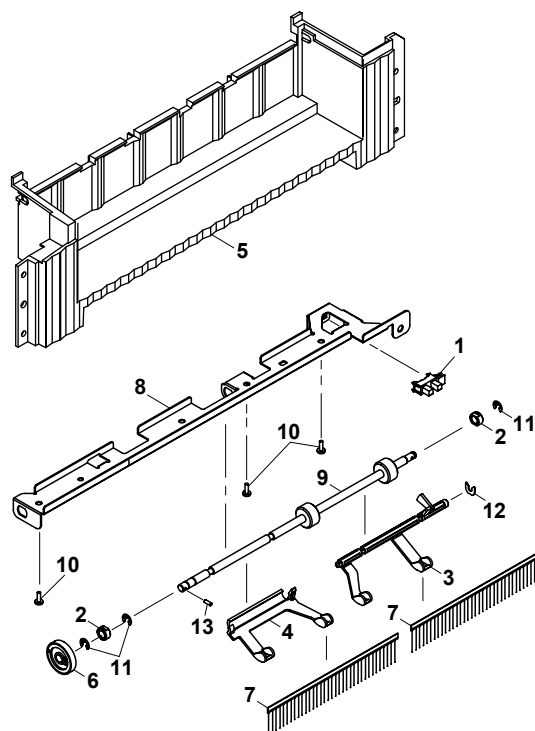
B83MB (6)



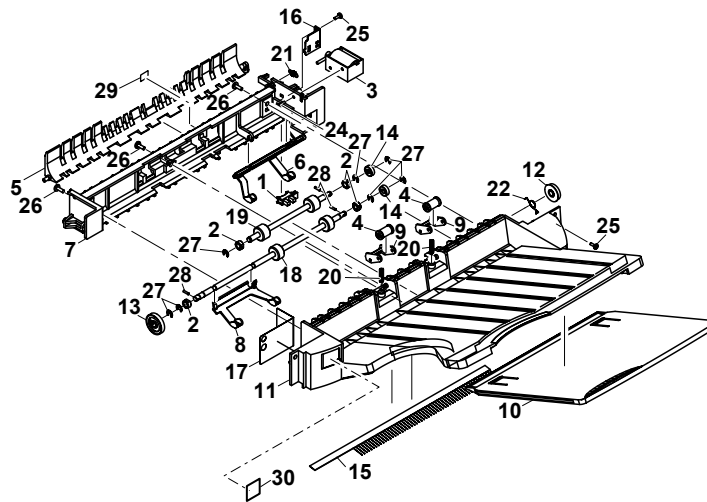
B83MB (7)



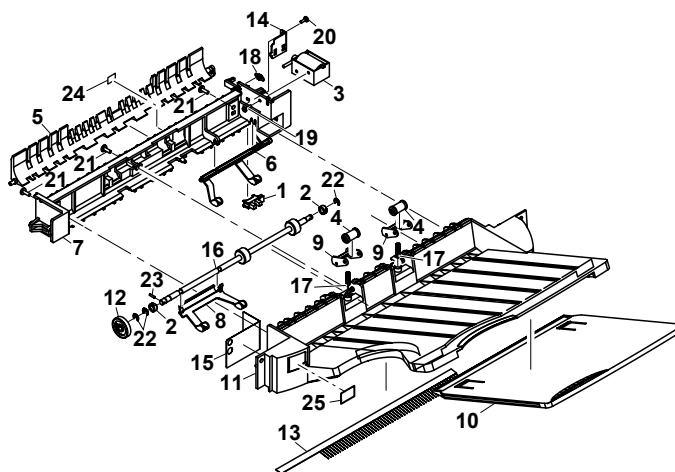
B83MB (8)



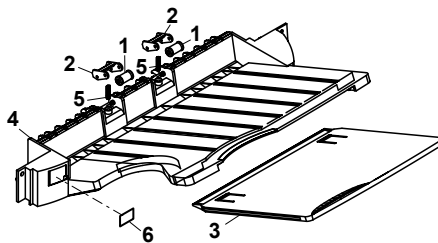
B83MB (9)



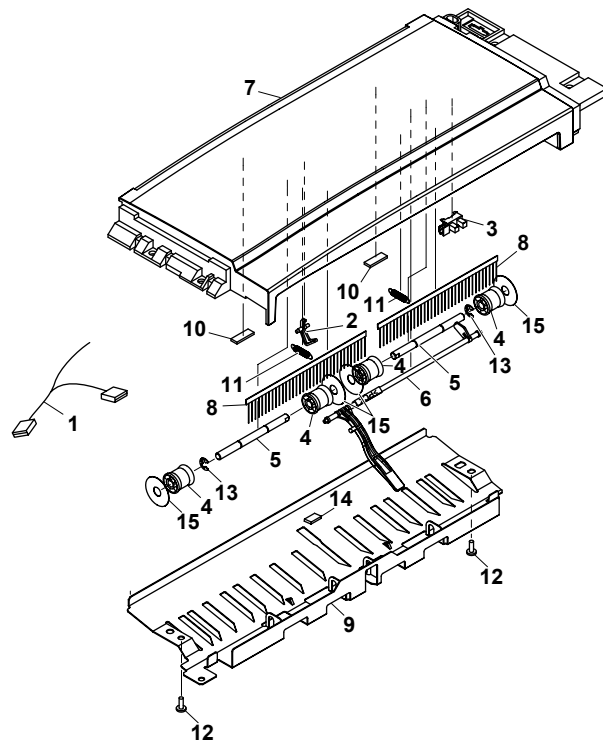
B83MB (10)



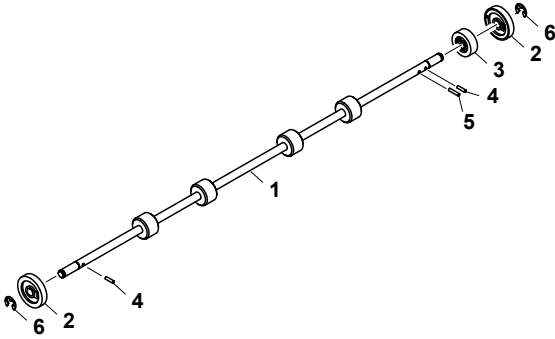
B83MB (11)



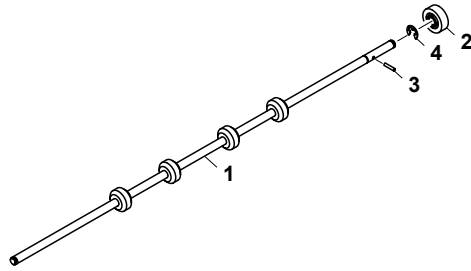
B83MB (12)



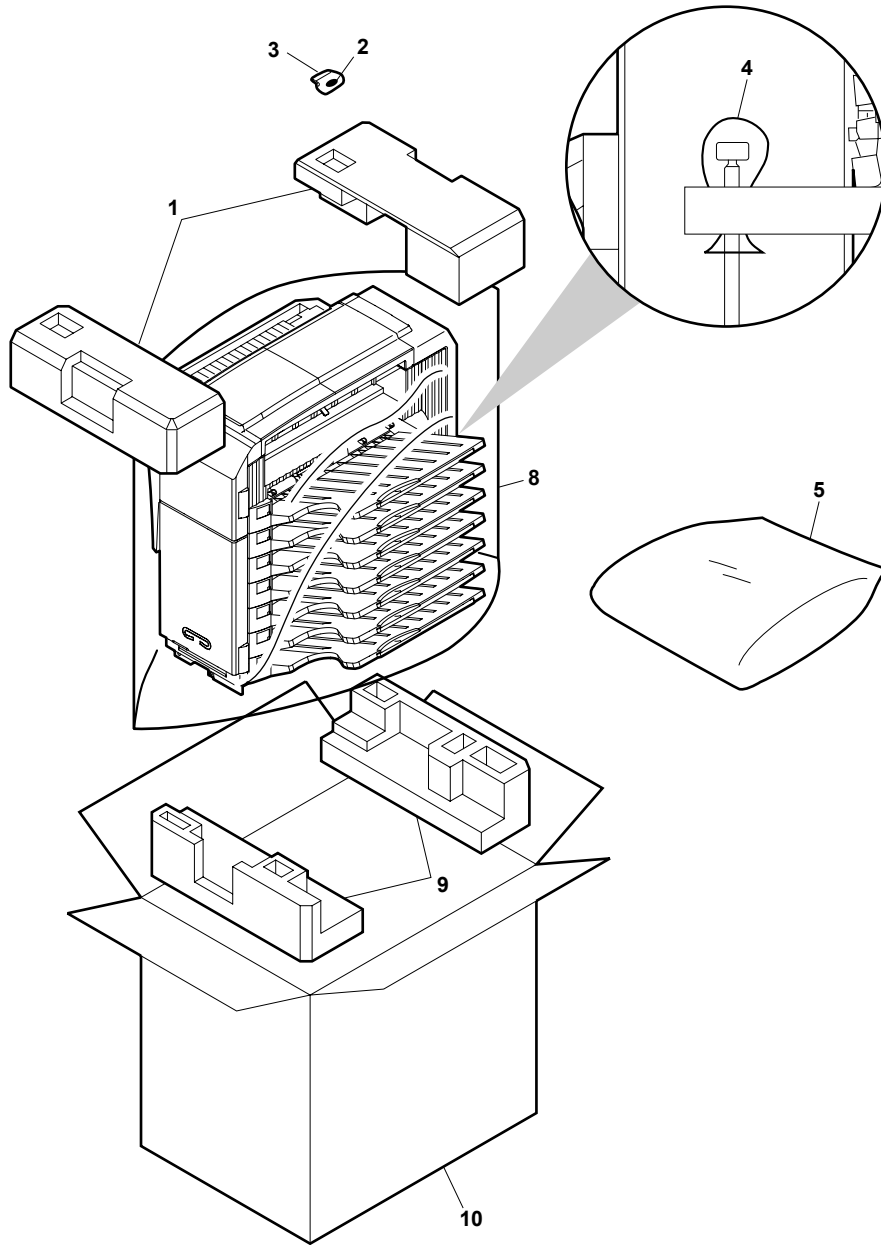
B83MB (13)



B83MB (14)



B83MB (15)



BLK	UNIT	ITEM	QTY	PRICE	PARTS CODE	DESCRIPTION	SPEC	LOCATION
001						1.Exteriors		
001		001	D	AY	GCAB-0938FCZZ	Right exterior		
001		004	D	AT	CFILW0281FC04	Operation filter		
001		005	D	BA	GCAB-0940FCZ3	Paper exit tray exterior		
001		007	C	AC	DHAI-3175FCZZ	OP earth harness		
001		009	E	BC	CPWBF1447FCE3	Printer operation PWB unit		
001		010	C	AF	JBTN-0249FCZZ	Operation key		
001		011	D	AP	HPNLC0243FCZ1	Operation cabinet		
001		013	D	AT	GCAB-0934FCZ3	Front exterior		
001		014	D	AL	GCAB-0935FCZZ	Front exterior upper		
001		016	D	AR	GCAB-0936FCZ1	Upper exterior left		
001		017	D	AK	GCAB-0937FCZZ	Left exterior rear		
001		018	D	AW	GCAB-0941FCZ1	Rear exterior		
001		019	C	AD	PFTA-0139FCZZ	Transfer tray cabinet cover		
001		020	D	AK	GCAB-0939FCZZ	Right exterior rear		
001		022	C	AS	LPLTM5937FCZZ	Rear cabinet support plate		
001		023	C	AE	PCOVP1554FCZZ	Harness cover		
001		024	C	AG	PCOVP1618FCZZ	ROM cover		
001		026	D	AH	HPNLH0250FCZZ	Model panel		
001		027	C	AE	JHNDP0158FCZZ	Handle L		
001		028	C	AC	PSHEZ4905FCZZ	LCD protect sheet		
002						2.Left door unit		
002		001	C	AL	PGIDM2077FCZ1	Reverse gate		
002		004	C	AR	PGIDM1885FCZZ	Left door exit paper reverse guide		
002		005	C	AU	PGIDM1884FCZZ	Left door transfer PG		
002		006	C	AB	MSPRC2953FCZZ	Reverse PG support spring		
002		007	C	AG	LSTYM0258FCZZ	Left door support plate upper		
002		008	C	AD	LSTYM0259FCZZ	Left door support plate lower		
002		009	C	AD	PTME-0287FCZ1	Transfer lock pawl		
002		011	C	AC	LHLDZ1439FCZZ	Transfer unit pressure holder		
002		012	C	AC	MSPRC2835FCZZ	TR pressure spring		
002		013	C	AR	LANGT1407FCZ2	ACC fixing angle F		
002		015	C	AD	MLEVP0781FCNZ	Left door release lever		
002		016	C	AB	PTME-0279FCZ1	Left door lock pawl		
002		018	C	AN	LSTYM0256FCZZ	Rail support plate F		
002		019	D	BC	GDOR-0030FCZ1	Left door		
002		020	C	AK	PCOVP1531FCNZ	Left door cover lower		
002		021	E	AF	CPWBF1599FCE1	Drawer PWB		
002		022	C	AF	DHAI-3235FCPZ	Left door interface harness		
002		023	C	AD	QEARP0136FCZZ	Left door transfer earth plate		
002		024	E	AK	CPWBF1593FCE2	High voltage resistor PWB		
002		026	C	AC	PCOVP1567FCNZ	Left door upper cover		
002		027	B	AV	NFANP0069FCZZ	Fan		
002		028	C	AA	LX-WZ0028FCZZ	Washer		
002		030	C	AB	LPINS0320FCZZ	Spring pin	(φ2-8)	
002		031	C	AH	NSFTZ2572FCZZ	Lock lever joint shaft		
002		032	C	AH	LANGT1409FCZ1	ACC fixing angle R lower		
002		033	C	AL	LSTYM0257FCZ1	Rail support plate R		
002		034	C	AC	MSPRD2838FCZZ	Left door lock spring		
002		037	C	AG	LANGT1408FCZ1	ACC fixing angle R upper		
002		042	C	AD	PMLT-1263FCZZ	Suction cushion A		
002		043	C	AD	PMLT-1266FCZZ	Suction cushion D		
002		044	C	AD	PMLT-1265FCZZ	Suction cushion C		
002		045	C	AD	PMLT-1264FCZZ	Suction cushion B		
002		048	C	AC	MSPRT2836FCZZ	Reverse gate spring		
002		050	C	AU	PFILZ0287FCZZ	Ozon filter		
002	901		E	BN	CDOR-0030DS51	Left door unit		
003						3.PS roller unit		
003		001	C	AX	NROLP1302FCZ1	PS follower roller		
003		002	C	AF	MSPRT2839FCZZ	PS pressure spring		
003		003	C	AC	NBRGC0286FCZZ	PS follower roller bearing		
003		004	C	AC	NGERH1475FCZZ	PS follower gear		
003		005	C	AC	NGERH1474FCZZ	PS gear		
003		006	C	AA	LPINS0155FCZZ	Pin	(φ3-10)	
003		008	C	AY	NROLR1303FCZ1	PS roller		
003		009	C	AK	PGIDH1960FCZZ	Paper powder remove guide		
003		011	C	AC	PSHEP4931FCZZ	Paper powder remove sub sheet		
003		013	C	AC	PCLR-0460FCZZ	Transfer follower collar		
003		014	C	AC	MSPRC2840FCZZ	PS front pressure spring		
003		015	C	AG	NSFTZ2573FCZ1	PS follower roller shaft		
003		017	E	AK	CPWBF1593FCE1	High voltage resistor PWB PS		
003		018	C	AA	MSPRP1550FCZZ	TC spring		
003		019	C	AE	DHAI-3145FCZZ	PPD harness		
003		020	B	AQ	VHPGP2A200L-18	LED	(GP2A200L)	
003		023	C	AC	NBRGP0666FCZZ	Bearing		
003		024	C	AD	JKNBZ0139FCZ2	PS knob		
003		025	C	AC	MSPRC2841FCZZ	PS brake spring		
003		026	C	AB	LPINS0325FCZZ	Spring pin		
003		028	C	AQ	PGIDM1887FCZ1	PS paper guide A		

BLK	UNIT	ITEM	QTY	PRICE	PARTS CODE	DESCRIPTION	SPEC	LOCATION
003		029	C	AC	PCLR-0461FCZZ	U-turn rollar		
003		030	C	AN	NROLR1304FCZ1	PS front roller		
003		031	C	AK	LSTYM0260FCZZ	Support stay		
003		032	C	AL	PGIDM1888FCZZ	PS paper guide B		
003		034	C	AD	PSHEP4825FCZZ	PS roller front sheet		
003		036	C	AD	QEARP0112FCZZ	PS earth plate		
003		037	C	AC	NCPL-0059FCZZ	Coupling TIG		
003		039	C	AA	LX-WZ0070FCZZ	Washer		
003		040	C	AQ	CGIDH1961FC01	Drum front PG		
003	901		E	BF	CGIDM1887DS51	PS roller guide unit	[without No.101]	
004						4.Main drive unit		
004		002	C	AG	NSFTZ2584FCZZ	DV joint shaft		
004		004	C	AC	MSPRC2616FCZZ	DV drive spring		
004		005	C	AC	NCPL-0046FCZZ	DV coupling		
004		008	C	AC	NBRGC0387FCZ1	Bearing		
004		010	C	AE	LPLTM5712FCZZ	DV drive plate		
004		011	C	AB	LPINS0337FCZZ	Pin	(φ3-12)	
004		012	C	AD	NGERH1240FCZZ	DC drive gear	(14T)	
004		013	C	AC	LPLTM5713FCZZ	DV joint plate		
004		015	C	AR	DHAI-3428FCZZ	DV interface harness		
004		016	C	AC	NGERH1363FCZZ	Cleaner TB gear 19T		
004		017	C	AD	NBRGC0190FCZ1	F6 bearing		
004		019	C	AE	NCPL-0054FCZZ	Cleaner coupling		
004		020	C	AK	NCPL-0048FCZZ	Drum coupling		
004		022	C	AK	NBRGY0627FCZZ	Bearing		
004		024	C	AB	MSPRP1293FCZZ	Electrode spring		
004		027	C	AC	QCNCM0999FCPZ	Connector	(BU02P-TR-P-H)(2pin)	
004		028	C	AC	QCNCM1000FCPZ	Connector	(BU03P-TR-P-H)(3pin)	
004		030	C	AB	LPLTM5714FCZZ	M3 plate		
004		031	C	BA	LFRM-1016FCZZ	Transfer drive frame lower		
004		032	C	AC	QEARP0116FCZZ	Left cabinet earth spring		
004		033	C	AD	MSPRP2823FCZZ	TB spring		
004		034	C	AN	DHAI-3427FCZZ	HV harness		
004		035	C	AC	PCOVP1611FCZZ	Transfer high voltage cover		
004		036	C	AH	CPLTM5711FC01	DV gear fixing plate		
004		037	C	AC	QEARP0117FCZZ	Drum earth joint spring		
004		038	C	AG	NSFTZ2585FCZZ	Cleaner TB shaft		
004		039	C	AE	NGERH1416FCZZ	Cleaner gear		
004		040	C	AK	NSFTZ2580FCZZ	Drum turn shaft		
004		041	C	AM	NGERH1413FCZZ	Drum gear		
004		042	C	AN	NGERH1415FCZZ	DR idle gear		
004		043	C	AE	NGERH1429FCZZ	Developer drive gear		
004		044	C	AE	NSFTZ2579FCZZ	Drum motor shaft		
004		046	C	AX	PCOVP1534FCZZ	Transfer drive cover		
004		047	C	AC	QEARP0118FCZZ	Transfer earth joint spring		
004		048	C	AF	QEARP0115FCZZ	Drum earth plate		
004		049	C	AC	LPLTM5762FCZZ	Rear exterior fixing plate B		
004		050	C	AC	PSHEP4826FCZZ	Pulley sheet		
004		051	C	AC	NPLYZ0283FCZZ	Elevator drive pulley		
004		052	C	AE	NSFTZ2581FCZZ	Fusing drive shaft		
004		053	C	AC	NGERH0349FCZZ	Gear	(CL28T)	
004		054	C	AF	NSFTZ2574FCZZ	Main drive joint shaft		
004		055	C	AC	NGERH0457FCZZ	DC drive gear R		
004		056	C	AL	NSFTZ2577FCZZ	Main motor shaft		
004		057	C	AE	NGERH1528FCZZ	PS drive gear		
004		058	C	AD	NGERH1357FCZZ	Gear 48/28T		
004		059	C	AT	PCLC-0298FCZZ	Paper feed clutch		
004		060	C	AU	PCLC-0297FCZZ	PS front clutch		
004		061	C	AC	NGERH1414FCZZ	Paper feed joint gear		
004		062	C	AF	NSFTZ2583FCZZ	Paper feed shaft		
004		063	C	AF	NSFTZ2575FCZ1	PS front roller shaft		
004		064	C	AX	PCLC-0296FCZ1	PS clutch		
004		066	C	AD	NGERH1359FCZZ	Gear 15/24		
004		071	C	AF	NSFTZ2576FCZZ	PS roller shaft		
004		073	C	AD	NBRGC0641FCZZ	Bearing		
004		074	C	AB	LPINS0330FCZZ	Spring pin	(φ3-16)	
004		075	C	AA	LPINS0155FCZZ	Pin	(φ3-10)	
004		076	C	AA	XNES730-18000	Nut		
004		080	C	AA	LPINS0133FCZZ	Pin	(2×10)	
004		081	C	AA	LHLDW1006FCZZ	Mini clamp	(UAMS-09-0)	
004		082	C	AP	NBRGY0773FCZZ	Bearing		
004		083	C	AN	NSFTZ2578FCZZ	Developer joint shaft		
004		085	C	AC	PSHEP4947FCZZ	PS F clutch sheet		
004		086	C	AC	PSHEP4948FCZZ	PF clutch sheet		
004		087	C	AB	PSPAZ1430FCZZ	Spacer	(φ8-8)	
004		088	C	AA	LX-WZ0070FCZZ	MG roller Washer		
004		089	C	AA	LX-WZ0017FCPZ	Adjust Washer		
004		090	C	AD	MSPRC3027FCZ1	PS front spring		
004		091	C	AA	LX-WZ0421FCZZ	Washer		

BLK	UNIT	ITEM	RANK	PRICE	PARTS CODE	DESCRIPTION	SPEC	LOCATION
004	901		E	BP	CFRM-1016DS51	Main drive unit		
005						5.TC unit		
005		001	C	AF	LHLDZ1482FCZ3	Discharge plate holder		
005		002	C	AK	LPLTM5875FCZ1	Discharge plate		
005		003	C	AE	PGIDM1950FCZ2	Transfer front PG		
005		005	C	AQ	LPLTM5925FCZ2	Transfer front PG plate		
005		007	C	AC	MSPRC3000FCZ2	Transfer front PG spring		
005		008	C	AZ	NROLR1355FCP1	Transfer roller		
005		009	C	AD	NBRGP0655FCZ2	TR bearing F		
005		010	C	AC	PCLR-0468FCZ1	Transfer roller collar		
005		011	C	AB	MSPRC2955FCZ2	Reverse pressure spring		
005		012	C	AL	LHLDZ1474FCZ2	TR holder		
005		013	C	AS	LPLTM5926FCZ1	Holder support plate		
005		014	C	AC	PTME-0288FCZ2	Transfer lockpawl		
005		015	C	AK	NGERH1419FCZ2	TR gear		
005		016	C	AE	QEARP0132FCZ2	TR earth plate		
005		018	C	AD	NBRGP0656FCZ2	TR bearing R		
005		019	C	AC	PRNGF0107FCZ2	Starling		
005	901		E	BL	CHLDZ1474DS51	Transfer unit		
006						6.Cassette paper feeder		
006		001	C	AU	LDIAIU0622FCZ1	Paper feed base plate		
006		003	C	AF	PCOVP1543FCZ1	Paper feed upper cover		
006		004	C	AL	DHAI-3155FCPZ	Cassette detect interface harness		
006		005	C	AE	MLEVP0785FCZ2	PE actuator		
006		006	B	AF	VHPGP1AQ73A-18	Photo sensor	(GP1AQ73A)	
006		007	C	AG	PGIDM1891FCZ2	Pickup roller guide		
006		008	C	AF	NSFTZ2591FCZ2	Pickup roller shaft		
006		009	C	AC	NPLYZ0365FCZ2	Pickup roller pulley		
006		010	C	AN	NROLR1312FCZ2	Pickup roller		
006		011	C	AF	NBLTH0432FCZ2	Belt	(55MXL3.2)	
006		012	C	AN	NROLR1311FCZ2	Paper feed separation roller		
006		013	C	AP	PCLC-0299FCZ2	Separator roller torque limiter		
006		014	C	AH	NCPL-0049FCZ2	Oneway coupling		
006		015	C	AH	NSFTZ2590FCZ1	Separation roller shaft		
006		016	C	AH	NPLYZ0373FCZ2	Paper feed roller pulley		
006		020	C	AE	PCLR-0519FCZ2	Collar	(φ16)	
006		021	C	AQ	LRALP0185FCZ1	Left rail		
006		022	C	AH	PGIDM1893FCZ2	Paper feed PG		
006		023	C	AE	PGIDM1892FCZ2	Separator roller guide		
006		026	C	AC	XPSSJ20-12000	Spring pin	(φ2-12)	
006		027	C	AB	LPINS0329FCZ2	Spring pin	(φ2-16)	
006		028	C	AL	NSFTZ2589FCZ2	Paper feed roller shaft		
006		029	C	AC	NBRGC0387FCZ1	Bearing		
006		030	C	AC	MSPRC3012FCZ2	Paper feed brake spring		
006		031	C	AC	NCPL-0047FCZ2	Paper feed coupling		
006		034	C	AC	MARMP0259FCZ2	Pick up roller arm		
006		035	C	AE	MSPRD2850FCZ2	Pickup roller arm spring		
006		036	C	AF	CPLTM5732FC01	Pickup roller arm fixing plate		
006		038	C	AC	MSPRT2849FCZ2	Separator roller pressure spring		
006		039	C	AB	PSPA1429FCZ2	Spacer		
007						7.Fusing unit		
007		001	C	AN	PGIDM1895FCZ2	Fusing rear upper PG		
007		003	C	AK	PTME-0300FCZ2	Upper separator pawl		
007		004	C	AB	MSPRT2852FCZ2	Top pawl spring		
007		006	B	AR	RDTCT0147FCZ2	Themistor		
007		008	C	AT	DHAI-3156FCZ2	Fusing harness		
007		011	C	AY	PCOVP1546FCZ1	Fusing upper cover		
007		012	C	AD	LPLTM5737FCZ2	Lamp fixing plate F		
007		013	C	AC	LX-NZ0094FCZ2	Nut	(M3)	
007		014	C	AD	LPLTM5739FCZ2	Thermostat fixing plate		
007		015	B	AM	RTHM-0024FCZ2	Thermostat		
007		016	C	AE	QEARP0123FCZ2	Electrode		
007		017	C	AD	LPLTM5738FCZ2	Lamp fixing plate R		
007		018	C	AE	LSTYM0268FCZ2	HR support plate R		
007		019	C	AB	LFIX-0442FCZ2	Fusing shaft fixing plate R		
007		020	C	AE	LSTYM0267FCZ2	HR support plate F		
007		021	B	AX	RLMPU0662FCZ2	Heater lamp sub 120	[120V/127V]	
007		021	B	AY	RLMPU0664FCZ2	Heater lamp sub 240	[200V series]	
007		022	C	BH	NROLI1314FCZ1	Pressure welding roller		
007		023	B	AX	RLMPU0661FCZ2	Heater lamp main 120	[120V/127V]	
007		023	B	AY	RLMPU0663FCZ2	Heater lamp main 240	[200V series]	
007		024	C	AP	NBRGY0773FCZ2	Bearing		
007		025	C	AP	PGIDM1894FCZ2	Fusing front lower PG		
007		027	C	AF	CSTYM0265FC02	Pressure support plate F		
007		028	C	AE	MLEVP0790FCZ2	Fusing lever F		
007		030	C	AC	MLEVP0786FCZ2	Pressure adjust lever F		
007		032	C	AN	CFLT-0064FC06	Fusing cushion		
007		033	C	AY	PCOVP1547FCZ2	Fusing lower cover		
007		034	C	AF	MLEVF0788FCZ3	Pressure lever F		

BLK	UNIT	ITEM	RANK	PRICE	PARTS CODE	DESCRIPTION	SPEC	LOCATION
007		036	C	AC	MSPRC3327FCZZ	Fusing pressure spring		
007		037	C	AF	CSTYM0266FC02	Pressure support plate R		
007		038	C	AF	MLEVF0789FCZ3	Pressure lever R		
007		039	C	AE	MLEVP0791FCZ2	Fusing lever R		
007		040	C	AC	MLEVP0787FCZZ	Pressure adjust lever R		
007		041	C	AL	PTME-0283FCZZ	Lower separator pawl		
007		042	C	AB	MSPRD2853FCZZ	Lower pawl spring		
007		043	C	AQ	PGIDM1951FCZ1	Fusing rear lower PG		
007		044	C	AA	LSTPF0172FCZZ	Roller stopper		
007		045	C	AS	NBRGY0646FCZZ	Bearing		
007		046	C	BE	NROLT1313FCZZ	Heat roller upper		
007		047	C	AQ	NGERH1380FCZZ	Fusing gear 48T		
007		048	D	AC	TLABZ4205FCZZ	Green label		
007		050	C	AB	LFIX-0441FCZZ	Fusing shaft fixing plate F		
007		051	C	AC	MSPRT2957FCZZ	PG open close spring		
007		052	C	AL	NROLM1387FCZZ	CL roller		
007		053	C	AD	NBRGP0670FCZZ	CL roller bearing		
007		054	C	AD	MSPRT3028FCZZ	CL roller spring		
007	901		E	CB	DUNTW7095DS11	Fusing unit	[120V/127V]	
007	901		E	CB	DUNTW7095DS12	Fusing unit	[200V sereis]	
008						8.Delivery turn over unit		
008		001	C	AF	LPLTM5943FCZZ	Duct plate		
008		002	C	AQ	LPLTM5921FCZ1	Paper exit upper PG support plate		
008		005	B	AV	NFANP0069FCZZ	Fan		
008		006	C	AD	MLEVP0828FCZZ	Paper exit actuator		
008		007	C	AC	MLEVP0838FCZZ	Detect lever		
008		008	C	AD	MLEVP0792FCZ1	Paper exit actuator		
008		009	B	AF	VHPGP1AQ73A-18	Photo sensor	(GP1AQ73A)	
008		010	C	AV	PGIDM1896FCZ3	Paper exit upper PG		
008		011	C	AC	NROLP1296FCZZ	Paper exit follower roller		
008		012	C	AF	NSFTZ2593FCZZ	Paper exit follower roller shaft		
008		014	C	AK	LDAIU0626FCZZ	Paper exit follower roller fixing plate		
008		015	C	AM	NROLR1315FCZ2	Exit paper roller		
008		016	C	AC	NGERH1384FCZZ	Paper exit gear 30T		
008		017	C	AC	NBRGC0387FCZ1	Bearing		
008		018	C	AC	NBRGC0504FCZZ	PF bearing	(F8×12×5 16X)	
008		019	C	AA	XRESP70-08000	E type ring		
008		020	C	AS	NROLR1316FCZ3	Fusing roller rear		
008		021	C	AZ	LFM-1020FCZ1	Paper exit frame		
008		022	C	AE	MLEVP0793FCZZ	Fusing rear actuator		
008		024	C	AE	PCLR-0462FCZZ	Collar		
008		025	C	AL	NGERH1398FCZZ	Gear 24T		
008		026	C	AD	NGERH1383FCZZ	Fusing drive gear		
008		027	C	AB	LPINS0265FCZZ	Spring pin	(M3x12)	
008		028	C	AE	CPLTM5740FC01	Fusing joint plate		
008		029	C	AC	MSPRT2858FCZZ	Fusing joint spring		
008		030	C	AA	MSPRC2857FCZZ	Paper exit follower roller spring		
008		031	C	AP	NSFTZ2594FCZZ	Fusing rear follower shaft		
008		032	C	AC	PCLR-0460FCZZ	Transfer follwer collar		
008		033	C	AN	NSFTZ2595FCZZ	Fusing knob shaft		
008		034	C	AF	JKNBZ0140FCZZ	Fusing knob		
008		036	C	AG	NSFTZ2598FCZ1	Fuing drive joint shaft		
008		037	C	AH	NGERH1421FCZ1	Oneway gear 30T		
008		038	C	AL	NBLTH0327FCZ1	Belt		
008		040	C	AD	NPLYZ0385FCZZ	Pulley	(S3M-35T)	
008		041	C	AM	NBRGY0131FCZZ	Bearing		
008		042	C	AE	NSFTZ2597FCZZ	Fuing drive idle shaft		
008		043	C	AD	NGERH0111FCWZ	Idle gear 24T		
008		044	C	AH	NGERH1447FCZ1	Oneway gear 24T		
008		045	C	AG	NSFTZ2596FCZZ	Ratchet shaft		
008		047	C	AH	NBLTH0350FCZ1	Belt		
008		049	C	AR	DHAI-3158FCPZ	Paper exit unit harness		
008		050	C	AE	MSPRD2859FCZ1	Door switch spring		
008		052	B	AH	QSW-M0502FCPZ	Door switch	(AM51632C531)	
008		054	C	AL	LFM-1021FCZ1	Paper exit drive frame		
008		055	C	AK	QEARP0124FCZZ	Paper exit earth plate		
008		056	C	AE	DHAI-3157FCZZ	Sensor harness		
008		057	B	BC	RMOTS0859FCZZ	Paper exit motor		
008		058	C	AB	PSHEZ4914FCZZ	Paper exit soundproof sheet		
008		059	C	AA	PMLT-1276FCZZ	Paper exit cushion		
008		060	C	AB	PSHEP4943FCZZ	Reverse gate sheet		
008		061	C	AB	MSPRD2855FCZZ	Paper exit actuator spring		
008		062	C	AH	PBRSS0208FCZ1	Discharge brush		
008		063	C	AB	MSPRD2856FCZZ	Fusing actuator spring		
008		065	C	AE	DHAI-3333FCZZ	Paper exit earth harness		
008		066	C	AC	PSHEP4962FCZ1	Belt retaining sheet		
008	901		E	BQ	CFRM-1020DS51	Paper exit reverse unit		
009						9.MC unit		
009		002	D	AP	PCASZ0295FCZZ	MC case		

BLK	UNIT	ITEM	PRICE	PARTS CODE	DESCRIPTION	SPEC	LOCATION
009		003	E	AL	CPLTM6048DS51	Plate	
009		005	C	AD	LHLDZ1470FCZZ	MC holder A	
009		007	C	AC	QSLP-0194FCZZ	Terminal	
009		008	C	AD	QSLP-0195FCZZ	Grid terminal	
009		009	C	AG	LPLTM5873FCZZ	Grid	
009		010	C	AC	LHLDZ1471FCZZ	MC holder B	
009		011	C	AB	PSHEP4911FCZZ	MC sheet	
009	901		E	BA	CCASZ0295DS51	MC unit	
010					10.Process unit		
010		001	C	AF	MLEVP0832FCZZ	Lever	
010		003	C	AC	NGERH1417FCZZ	Paddle gear 14T	
010		005	C	AC	NGERH1418FCZZ	Paddle idle gear 14T	
010		007	C	AB	LPLTM5714FCZZ	M3 plate	
010		008	C	AE	PMLT-1245FCZZ	Process U cushion	
010		009	C	AG	PCOVP1589FCZ1	Process cover U	
010		012	C	AE	NBRGP0642FCZZ	Waste toner bearing	
010		014	C	AD	PPIPP0206FCZZ	Waste toner transefer pipe	
010		018	C	AC	NGERH1369FCZZ	Toner transfer gear 30T	
010		020	C	AC	NBRGP0771FCPZ	Bearing MX	
010		021	C	AE	NGERH0039QSZZ	Transport pipe gear	(14T)
010		022	C	AC	MLEVP0782FCZZ	Process lever BK	
010		023	C	AC	MSPRC2842FCZZ	DR spring	
010		027	C	AL	CCOVP1535FC05	Process cover	
010		029	C	AC	NGERH0038QSZZ	Transport pipe gear	(15T)
010		030	C	AC	NGERH0037QSZZ	Idle gear	(26T)
010		032	C	AD	QEARP0131FCZZ	Process earth plate	
010		033	C	AD	PSHEZ4827FCZZ	Sheet F	
010		035	C	AK	LPFTF0107FCZZ	DSD flange F	
010		036	C	AK	LPFTF0108FCZZ	DSD flange R	
010		037	C	AD	PSHEZ4828FCZ1	Sheet R	
010		038	C	AG	NROLP1354FCZZ	Transfer paddle	
010		042	B	AS	CCLEZ0163FC31	Sub bleed	
010		044	C	AH	PTME-0286FCZ1	Separator pawl	
010		045	C	AC	PRNGF0106FCZ2	Starling N	
010		046	C	AC	LHLDZ1473FCZZ	Separation pawl holder	
010		047	C	AB	MSPRC2954FCZ2	Sparation pawl spring	
010		048	C	AC	PMLT-1238FCZ1	Toner shield cushion	
010		049	B	AW	CCLEZ0162FC31	Cleaning bleed	
010		052	C	AW	CFRM-1017FC02	Process frame	
010		053	C	AB	MSPRC2961FCZZ	Lever spring	
010		054	C	AC	NBRGP0654FCZZ	Transfer bearing F	
010		055	C	AE	PSEL-0805FCZZ	G seal	
010		056	C	AC	QEARP0133FCZZ	Process earth plate B	
010		057	C	AA	PSPAZ1432FCZZ	Spacer B	
010		058	C	AA	PSPAZ1431FCZZ	Spacer A	
010		501	E	AK	CHLDZ1473DS55	Separation pawl holder unit	
010	901		E	BM	CFRM-1017DS75	Process unit(include 9-901)	
011					11.Developer unit		
011		001	C	AP	DHAI-3254FCZZ	DV harness	
011		003	C	AF	PCOVP1538FCZZ	DV R cover	
011		005	C	AF	CPLTM5716FC01	Idle gear fixing plate	
011		006	C	AF	CGERH1420FC01	Idle gear 29T	
011		008	C	AC	NGERH1371FCZZ	MG gear 22T	
011		010	C	AL	CHLDZ1445FC01	MG holder R	
011		011	C	AC	NGERH1374FCZZ	MX gear B 31T	
011		012	C	AD	NGERH1373FCZZ	MX gear A 34T	
011		013	E	AH	CBRGP0639FC01	MX bearing	
011		015	C	BH	NROLM1502FCZZ	MG roller	
011		016	C	AS	LPLTM5876FCZZ	DV docter N	
011		017	C	AR	NROLP1294FCZZ	MX roller A	
011		018	C	AR	NROLP1295FCZZ	MX roller B	
011		019	C	AC	JHNDP0166FCZZ	SRU handle	
011		020	C	AH	PCOVP1592FCZZ	DV cover	
011		022	E	BF	CSHT-0089DS51	DV shutter	
011		023	C	AE	PCOVP1591FCZZ	Shutter cover	
011		024	C	AB	MSPRD2956FCZZ	DV shutter spring	
011		025	C	AD	MLEVP0783FCGZ	DV lock lever	
011		026	C	AC	MSPRC2875FCZZ	F handle spring	
011		027	C	AE	JHNDP0153FCZ4	DV F handle	
011		029	C	AC	LPLTM6022FCZZ	M4 plate	
011		032	E		CPWBF1591FCE2	Initial detect DV PWB unit	
011		035	C	AC	LPLTM5715FCZZ	PP plate	
011		036	C	AH	CHLDZ1444FC01	MG holder F	
011		037	D	AS	PBOX-0125FCZ1	DV BOX	
011		038	C	AC	PSEL-0797FCZZ	DV side seal F	
011		039	B	AX	RDTCT0146FCZZ	ATC sensor	
011		041	C	AC	MSPRD2876FCZZ	DV spring	
011		042	C	AD	MARMP0258FCGZ	DV joint arm	
011		043	C	AC	PSEL-0798FCZZ	DV side seal R	
011		044	C	AE	PCOVP1590FCZZ	Bottom cover	
011		045	C	AA	PMLT-1260FCZZ	SHT side cushion	
011		046	C	AG	PMLT-1242FCZZ	Cushion	
011		047	C	AC	PSEL-0800FCZ1	DV seal 2	
011		048	C	AA	PMLT-1241FCZ1	DV-BOX cushion	

BLK	UNIT	ITEM	PRICE	PARTS CODE	DESCRIPTION	SPEC	LOCATION
011		049	C	AC	PMLT-1244FCZ1	Docter cushion R	
011		050	C	AC	PSHEZ4882FCZ1	Docter suede	
011		051	C	AE	PSHEZ4883FCZZ	DV shutter suede N	
011		052	C	AA	PSHEZ4920FCZZ	SHT side sheet	
011		053	D	AC	PCAPH0004YSZZ	Cap D	
011		054	C	AA	XWHS730-05070	Washer	
011		055	C	AG	UCLEZ0164FCZZ	DV bleed	
011		057	C	AH	PMLT-1296FCZZ	Shutter cushion	
011		058	C	AA	PMLT-1314FCZZ	Toner seal cushion	
011		059	C	AS	PMLT-1262FCZZ	MG cover cushion N	
011		060	C	AD	PSEL-0796FCZZ	Heat seal	
011	901		E	CE	CBOX-0125DS53	DV unit	
012					12.Controller BOX unit		
012		001	C	AF	PDUC-0165FCZ1	Controller duct	
012		002	C	AT	PFILZ0285FCZ1	Ozone filter	
012		005	B	AV	NFANP0069FCZZ	Fan	
012		007	C	AG	PDUC-0163FCZZ	Main duct 2	
012		008	C	AG	PDUC-0162FCZZ	Main duct 1	
012		009	C	AE	PCOVP1555FCZ1	Controller BOX cover	
012		010	C	AD	DHAI-3177FCZZ	Motor earth harness	
012		011	D	AQ	PBOX-0127FCZZ	Controller BOX upper	
012		012	B	AX	NFANP0062FCZ	Fan	
012		014	C	AG	QCNW-0201FCPZ	Printer interface FFC	
012		015	C	AH	QCNW-0202FCZZ	OPE interface FFC	
012		016	E	AS	CPWBN1460FCE5	Mother board unit	
012		017	C	AK	LPLTM5758FCZZ	M/B fixing plate	
012		018	E	AX	CBOX-0128FC02	Control box lower	
012		019	C	AM	LPLTM5768FCZZ	Paper exit cabinet fixing plate A	
012		020	C	AE	DHAI-3197FCZZ	DSW interface harness	
012		021	E	BS	DUNT-7093DS11	LSU 45 unit	
012		023	C	AG	LPLTM5769FCZ1	Operation cabinet fixing plate B	
012		024	C	AT	LPLTM5729FCZZ	LSU top plate	
012		028	C	AE	LPLTM5767FCZ1	Fusing drawer fixing plate	
012		029	C	AT	DHAI-3169FCZZ	Fusing interface harness	
012		031	C	AE	JHNDP0156FCZZ	Handle R	
012		032	C	AK	PDUC-0164FCZ1	Sub duct	
012		034	E	CZ	CPLTM5757FC62	Print control PWB unit	
012		035	C	AG	LPLTM5765FCZ3	Control joint plate	
012		041	C	AA	LHLDW1006FCZZ	Mini clamp	(UAMS-09-0)
012		044	C	AC	PSHEP5009FCZZ	Control duct sheet A	
012		045	C	AC	PSHEP4945FCZZ	Control duct sheet B	
012		046	C	AD	PSHEZ4904FCZZ	Duct sheet	
012		048	C	AR	MSPRP3016FCZZ	LSU earth plate	
012		052	C	AG	PCOVP1629FCZZ	Rigth noise cover	
012		053	C	AE	DHAI-3333FCZZ	Paper exit earth harness	
012		054	C	AL	VHI28F322L29F	PRN flash ROM	(28F322L29F)
013					13.Power supply unit		
013		001	E	BX	RDENC0020FCP6	AC/DC power suply PWB 100	[100V series]
013		001	E	BX	RDENC0021FCP6	AC/DC power suply PWB 200	[200V series]
013		002	E	AZ	CPWBF1558FC32	Reactor PWB	[200V sereis]
013		004	C	AB	LSUPP0118FCPZ	Supporter	(SPLSN6)[200V sereis]
013		006	C	AB	LBSHZ1001ACZZ	Bushing	[200V sereis]
013		007	C	AF	LPLTM5941FCZZ	Filter PWB fixing plate	[200V sereis]
013		008	C	AB	LBSHZ2006SCZZ	Bushing	(NRP-345)[200V sereis]
013		010	C	AE	LPLTM5766FCZZ	Main switch fixing plate	
013		012	B	AY	QSW-C1381QCZZ	Switch	
013		013	C	AV	DHAI-3437FCZZ	MSW interface harness	[100V sereis]
013		013	C	AX	DHAI-3439FC11	MSW interface harness	[200V sereis]
013		014	C	AP	LPLTM5756FCZ1	Power supply unit fixing plate	
013		016	C	AG	LPLTM5942FCZ1	Harness protect plate	
013		017	C	AB	LSUPP0115FCZZ	Supporter	(SPLSN3)
013		018	C	AQ	DHAI-3282FCZZ	LSU relay harness	
013		020	C	AU	DHAI-3434FCZZ	AC/DC harness 100	[100V sereis]
013		020	C	AW	DHAI-3436FC11	AC/DC harness 200	[200V sereis]
013		022	C	AF	DHAI-3253FCZZ	Filter IF harness	[200V sereis]
013		023	C	AC	LSUPP0128FCZZ	Supporter L10	
013		100	E		CPWBF1553FCE2	Relay PWB	
014					14.Rear frame section 1		
014		001	B	AV	NFANP0069FCZZ	Fan	
014		003	C	AH	PDUC-0161FCZ1	Duct	
014		005	C	AC	PSHEZ4874FCZ1	LSU cleaning sheet R	
014		007	C	AC	PSHEZ4873FCZ1	LSU cleaning sheet F	
014		009	C	AF	DHAI-3236FCZZ	DSWF harness	
014		010	B	AH	QSW-M0502FCPZ	Door switch	(AM51632C531)
014		013	C	AC	LPLTM5775FCZZ	Switch fixing plate	
014		015	C	AK	PCOVP1528FCZZ	Front cover right	
014		017	C	AQ	PCOVP1529FCZZ	Front cover	
014		018	C	AS	MSLI-0141FCZZ	Slide rail	
014		019	C	AL	NSFTZ2677FCZZ	Fusing guide shaft	
014		021	C	AC	MLEVP0780FCZZ	DV pressure lever B	

BLK	UNIT	ITEM	QTY	PRICE	PARTS CODE	DESCRIPTION	SPEC	LOCATION
014		023	C	AA	XRESP30-06000	E type ring		
014		024	C	AC	MLEVP0779FCZZ	DV pressure lever A		
014		026	C	AN	PGIDH1883FCZZ	DV guide		
014		027	C	AG	JHNDP0152FCZZ	DV guide handle		
014		028	C	AE	NSFTZ2571FCZZ	DV guide shaft		
014		029	C	AD	MSPRT2834FCZZ	DV guide spring		
014		030	C	AF	LPLTM5710FCZZ	DV guide plate		
014		031	C	AE	NSFTZ2570FCZZ	DV shaft		
014		032	C	AU	LDAIU0623FCZZ	Bottom plate		
014		034	C	AE	PCLR-0519FCZZ	Collar		
014		035	C	AA	LHLDW1006FCZZ	Mini clamp	(UAMS-09-0)	
014		036	C	AX	LRALP0186FCZZ	Right rail		
014		037	C	AB	PSHEZ4885FCZ1	Paper feed base sheet R		
014		039	C	AF	JHNDP0155FCZZ	Handle F		
014		040	C	AU	LDAIU0622FCZ1	Paper feed base plate		
014		042	C	AF	PSHEZ4884FCZZ	Paper feed base sheet L		
014		044	D	AC	LHLDZ1705FCZZ	Rubber foot		
014		046	C	AC	MSPRP2963FCZZ	Process earth spring		
014		047	C	AU	LPLTM5707FCZZ	Rear fixing plate		
014		048	C	AD	LHLDZ1455FCZZ	Multi position holder		
014		051	E	BA	CCASZ0296DS51	Paper powder remove case unit		
014		053	D	AD	TCAUS1038FCZZ	Laser caution label		
014		054	C	AC	TLABZ4434FCZZ	NO1 label		
014		055	C	AH	PCOVP1693FCZZ	Duct sSupport cover		
014		056	C	AL	LSTYM0255FCZ1	Duct support plate		
014		501	E	BF	CGIDH1883DS51	DV guide		
015						15.Rear frame section 2		
015		001	C	AS	MSLI-0141FCZZ	Slide rail		
015		002	C	AD	CPLTM5895FC01	Solenoid fixing plate		
015		004	C	AC	MLEVP0831FCZZ	Separation pawl lever		
015		006	B	AN	RPLU-0326FCZZ	Separator pawl solenoid		
015		007	C	AA	LHLDW1006FCZZ	Mini clamp	(UAMS-09-0)	
015		008	C	AD	LPLTM5709FCZZ	Lift up fixing plate		
015		012	B	BN	RMOTP0875FCPZ	Drum motor		
015		014	B	BF	RMOTP0907FCZZ	Main motor 45		
015		015	C	AG	LPLTM5761FCZZ	Rear exterior fixing plate A		
015		017	C	AP	DHAI-3167FCZZ	Main drive interface harness		
015		018	C	AA	MSPRC2962FCZZ	Left cabinet spring		
015		020	C	AC	NGERH1379FCZZ	Liftup gear		
015		021	C	AG	LDAIU0624FCZZ	Lift up base plate		
015		022	B	BS	RMOTD0858FCPA	Lift up motor		
015		024	C	AD	MARMP0252FCZZ	Size detect SW arm		
015		025	E	AG	CPWBF1598FCE1	Cassette detect PWB		
015		026	E	CA	CPWBN1552FCE3	PCU PWB unit		
015		028	C	AR	DHAI-3428FCZZ	DV interface harness		
015		031	C	AG	DHAI-3200FCZZ	AC harness PRT		
015		032	C	AN	QSOCA0097FCPZ	Outlet		
015		033	C	AL	QSOCA0096FCPZ	Inlet		
015		034	C	AD	DHAI-3172FCZZ	Outlet harness		
015		035	C	AC	LHLDW1263FCZZ	Wire holder	(EDS0607M)	
015		036	C	AL	LPLTM5760FCZ3	Inlet fixing plate		
015		038	E	AU	CPWBF1626FCE1	Fuse PWB 100P	[100V sereis]	
015		038	E	AU	CPWBF1641FCE3	Fuse PWB 200P	[200V sereis]	
015		040	C	AB	LHLDZ2330RCZZ	PWB holder	(LCBS-04N)	
015		042	C	BS	RDENU0022FCZ1	High voltage transformer		
015		043	E	AK	LHLDZ1449FCZ1	High voltage holder		
015		044	C	BA	RMOTD0856FCZZ	Toner motor		
015		045	B	AA	MSPRC0024QSZZ	Hopper spring		
015		047	C	AC	NCPL-0045FCZZ	Hopper coupling		
015		048	C	AA	LBSHC0090FCZZ	Bushing		
015		049	C	AU	LPLTM5707FCZZ	Rear fixing plate		
015		051	C	AB	MSPRC2644FCZZ	Size detect switch spring		
015		052	C	AB	MSPRC2671FCZZ	Lift up gear spring		
015		054	C	AC	QCNW-0205FCZZ	HV interface FFC		
015		055	C	AC	QCNW-0204FCZZ	Drum motor interface FFC		
015		056	C	AD	QCNW-0203FCZZ	Main motor interface FFC		
015		057	C	AR	LPLTM5755FCZZ	PCU fixing plate		
015		058	C	AP	VHI28F081L08F	PCU flash ROM	(28F081L08F)	
015		061	C	AE	DHAI-3649FCZZ	Noise earth harness		
015		062	C	AC	DHAI-3176FCZZ	AC earth harness		
015		067	C	AC	PMLT-1277FCZZ	Seal cushion A		
015		068	C	AD	PMLT-1278FCZZ	Seal cushion B		
015		069	C	AK	DHAI-3144FCZZ	Hopper interface harness		
015		501	C	BN	CDAIU0624DS51	Lift up unit		
015		502	E	BB	CPLTM5760DS59	Inlet fixing plate unit	[100V sereis]	
015		502	E	BC	CPLTM5760DS60	Inlet fixing plate unit	[200V sereis]	
016						16.Cassette unit		
016		001	C	AR	LPLTM5735FCZZ	Turn plate		
016		002	C	AF	MLEVP0754FCZZ	Rear plate lever		

BLK	UNIT	ITEM	QTY	PRICE	PARTS CODE	DESCRIPTION	SPEC	LOCATION
016		003	C	AE	LPLTP5413FCWZ	Rear edge plate		
016		004	C	AB	LHLDW1226FCZZ	Turn fastener		
016		005	C	AB	MSPRC2641FCZ1	Rear plate spring		
016		006	C	AB	PSHEZ3130FCZZ	Rotation plate sheet		
016		008	C	AD	LHLDZ1377FCZZ	Rear plate holder		
016		010	C	AD	PTME-0280FCZZ	Cassette pawl right		
016		011	C	AM	PCOVP1545FCBZ	Cassette front cover		
016		012	C	AP	CPLTM5736FC01	Lift plate		
016		014	C	AD	NGERH1378FCZZ	Sector gear		
016		015	C	AA	LPINS7062SCZZ	Pin	(3×16)	
016		016	C	AB	MSPRC2851FCZZ	Cassette earth spring		
016		017	C	AE	MLEVP0755FCZ1	Side plate F lever		
016		018	C	AC	MSPRC2631FCZZ	Side plate F lever spring		
016		019	C	AH	LPLTP5733FCZZ	Side plate F		
016		020	C	AC	PTPE-0243FCZ1	Side plate tape		
016		021	C	AB	NGERH0193FCZZ	UC manual feed gear		
016		022	C	AG	LPLTP5734FCZZ	Side plate R		
016		024	C	AD	PTME-0281FCZZ	Cassette pawl left		
016		025	C	AC	PGIDH1833FCZ1	Side plate guide		
016	901		E	BD	CCASP0175FC33	Cassette unit		
017						17.Packing material & Accessories		
017		002	D	AF	CPAKA6127FC01	Packing case lower		
017		003	D	CC	SPAKA6683FCZZ	Packing add		
017		005	D	BU	SPAKC6359DS17	Packing case	[Europe]	
017		005	D	BU	SPAKC6359DS16	Packing case	[North America]	
017		006	D	AE	TCADZ1718FCZZ	Fusing pressurization manual		
017		007	D	AD	SPAKA6236FCZZ	Packing add		
017		008	D	AB	TCADZ1275FCZZ	Cassette rotation tag		
017		009	C	AB	LHLDW1226FCZZ	Turn fastener		
017		010	B	AS	QACCD7912QCPZ	AC cord	[North America]	
017		014	C	AG	TCADZ6012FCZZ	MSDS card	[North America]	
017		022	D	AB	SSAKA2440QCZZ	Vinyl bag	(280×410mm)	
017		023	D	AA	SSAKA5003CCZZ	Vinyl bag	(140×260mm)[North America]	
017		026	D	AD	SPAKA6256FCZZ	Cabinet protect add		
017		027	D	AC	SPAKA6265FCZZ	Fusing protect add		
017		028	D	AG	SPAKA6272FCZZ	Fusing protect add R		
017		101	E	CE	DUNT-7267FC20	NIC unit		
018						18.PCU PWB unit		
018		001	C	AD	QCNCM0670FCPZ	Connector	(B5P-VH)	
018		002	C	AE	QCNCM0878FCPZ	Connector	(B30B-PHDSS-)	
018		003	C	AD	QCNCM0923FC248	Connector	(B24B-PHDSSB)	
018		004	C	AE	QCNCM0923FC328	Connector	(B32B-PHDSSB)	
018		005	C	AD	QCNCM1069ACPZ	Connector	(B6P-VH(LF))	
018		006	C	AG	QCNCM1143FCPZ	Connector	(TX25-50P-LT)	
018		007	C	AG	QCNCM1144FCPZ	Connector	(B24B-PADES)	
018		008	C	AF	QCNCM1175FCPZ	Connector	(S30B-PHDSSB)	
018		009	C	AB	QCNCM5093SC0B	Connector	(2pin)	
018		010	C	AC	QCNCM7014SC0H8	Connector	(B8B-PH-K-S)	
018		011	C	AC	QCNCM7014SC1A8	Connector	(11pin)	
018		012	C	AC	QCNCW0002ESZZ	Connector	(8pin)	
018		013	C	AC	QCNCW1136FCZZ	Connector	(9604S-08C)	
018		014	C	AC	QCNCW1139FCZZ	Connector	(9604S-14F)	
018		015	C	AD	QCNCW1140FCZZ	Connector	(9604S-28F)	
018		016	C	AE	QCNCW1150FCZZ	Connector	(24FMN-STRK)	
018		017	C	AC	QSOCZ0002QSPZ	Socket		
018		018	C	AR	QSOCZ0095FCPZ	Socket	(5179707-1)	
018		019	B	AC	QSW-P0005QSZZ	Tact switch	(B3F-6102)	
018		020	B	AG	RCRSZ0001QSZZ	Crystal	(AT-51 19.6608MHz)	
018		021	B	AP	RCRUB0001FCZZ	Crystal	(31.554MHz)	
018		022	C	AC	RFILN0042FCZZ	EMI filter	(ZJSR5101-101)	
018		024	B	AA	RMPTR4103ACPZN	Block resistor	(10KΩ×4)	
018		025	C	AA	VCCCRZ1HH100DN	Capacitor	(50WV 10pF)	
018		026	C	AA	VCCCRZ1HH101JN	Capacitor	(50WV 100pF)	
018		027	C	AA	VCCCRZ1HH220JN	Capacitor	(50WV 22pF)	
018		028	C	AB	VESGA0JW107M+	Capacitor	(6.3WV 100μF)	
018		029	C	AB	VESGA1AW476M+	Capacitor	(10WV 47μF)	
018		030	C	AC	VESGA1AW477M+	Capacitor	(10WV 470μF)	
018		031	C	AC	VESGA1CW477M+	Capacitor	(16WV 470μF)	
018		032	C	AB	VESGA1HW335M+	Capacitor	(50WV 3.3μF)	
018		033	C	AB	VESGA1VW106M+	Capacitor	(35WV 10μF)	
018		034	C	AC	VESGA1VW107M+	Capacitor	(35WV 100μF)	
018		035	C	AC	VESGA1VW227M+	Capacitor	(35WV 220μF)	
018		036	C	AB	VESGA1VW476M+	Capacitor	(35WV 47μF)	
018		037	C	AA	VCKYZ1CF104ZN	Capacitor	(16WV 0.10μF)	
018		038	C	AA	VCKYZ1EF223ZN	Capacitor	(25WV 0.022μF)	
018		039	C	AA	VCKYZ1HB102KN	Capacitor	(50WV 1000pF)	
018		040	C	AA	VCKYZ1HB222KN	Capacitor	(50WV 2200pF)	
018		041	C	AB	VCOYHA1HM103K+	Capacitor	(50WV 0.010μF)	
018		042	B	AC	VHDCRH01+++1	Diode	(CRH01)	

BLK	UNIT	ITEM	QTY	PRICE	PARTS CODE	DESCRIPTION	SPEC	LOCATION
018		043	B	AB	VHDDAN202K/-14	Diode	(DAN202K)	
018		044	B	AB	VHDDAP202K/-14	Diode	(DAP202K)	
018		045	B	AC	VHDDA204K//14	Diode	(DA204K)	
018		046	B	AA	VHDDSS133//11	Diode	(DSS133)	
018		047	B	AD	VHDMA704A//14	Diode	(MA704A)	
018		048	B	AB	VHEHVS3B3//11	Diode	(HVS3B3)	
018		049	B	AD	VHERD22FB//11	Diode	(RD22FB)	
018		050	B	AF	VHIC24WC04L-1	IC	(C24WC04L)	
018		051	B	AG	VHID62503FG-1	IC	(D62503FG)	
018		052	B	AP	VHIF781BSZB-1	IC	(F781BSZB)	
018		053	B	AX	VHIHD2322RV-15	IC	(HD2322RV)	
018		054	B	AE	VHILM324D++17	IC	(LM324D)	
018		055	B	AE	VHILM339D++17	IC	(LM339D)	
018		056	B	AF	VHILVX240SJ-17	IC	(LVX240SJ)	
018		057	B	AQ	VHIMTD13611-18	IC	(MTD13611)	
018		058	B	AF	VHINJM7805A-18	IC	(NJM7805A)	
018		059	B	AG	VHITA7291AS-18	IC	(TA7291AS)	
018		060	B	AE	VHITD62003AP18	IC	(TD62003AP18)	
018		061	B	AF	VHI74VHCT04-1	IC	(74VHCT04-1)	
018		062	B	AE	VHI74VHCT244X-	IC	(74VHCT244X)	
018		063	B	BA	VHI82805GNA-15	IC	(82805GNA)	
018		064	B	AC	VHP1LHEE-002AT	LED	(1LHEE-002AT)	
018		065	B	AD	VHVICPS1.2/-14	Varistor	(ICPS1.2)	
018		066	C	AA	VRDRHT2EY911JA	Resistor	(1/4W 910Ω ±5%)	
018		067	C	AA	VRDRHT2HY242JA	Resistor	(1/2W 2.4KΩ ±5%)	
018		068	C	AA	VRDRHT2HY471JA	Resistor	(1/2W 470Ω ±5%)	
018		069	C	AA	VRSRCZ1JD000JN	Resistor	(1/16W 0Ω ±5%)	
018		070	C	AA	VRSRCZ1JD101JN	Resistor	(1/16W 100Ω ±5%)	
018		071	C	AA	VRSRCZ1JD102JN	Resistor	(1/16W 1.0KΩ ±5%)	
018		072	C	AA	VRSRCZ1JD103FN	Resistor	(1/16W 10KΩ ±1%)	
018		073	C	AA	VRSRCZ1JD103JN	Resistor	(1/16W 10KΩ ±5%)	
018		074	C	AA	VRSRCZ1JD104JN	Resistor	(1/16W 100KΩ ±5%)	
018		075	C	AA	VRSRCZ1JD122JN	Resistor	(1/16W 1.2KΩ ±5%)	
018		076	C	AA	VRSRCZ1JD151FN	Resistor	(1/16W 150Ω ±1%)	
018		077	C	AA	VRSRCZ1JD151JN	Resistor	(1/16W 150Ω ±5%)	
018		078	C	AA	VRSRCZ1JD152FN	Resistor	(1/16W 1.5KΩ ±1%)	
018		079	C	AA	VRSRCZ1JD153FN	Resistor	(1/16W 15KΩ ±1%)	
018		080	C	AA	VRSRCZ1JD201JN	Resistor	(1/16W 200Ω ±5%)	
018		081	C	AA	VRSRCZ1JD203JN	Resistor	(1/16W 20KΩ ±5%)	
018		082	C	AA	VRSRCZ1JD302JN	Resistor	(1/16W 3KΩ ±5%)	
018		083	C	AA	VRSRCZ1JD304FN	Resistor	(1/16W 300KΩ ±1%)	
018		084	C	AA	VRSRCZ1JD330JN	Resistor	(1/16W 33Ω ±1%)	
018		085	C	AA	VRSRCZ1JD332JN	Resistor	(1/16W 3.3KΩ ±1%)	
018		086	C	AA	VRSRCZ1JD471JN	Resistor	(1/16W 470Ω ±5%)	
018		087	C	AA	VRSRCZ1JD472FN	Resistor	(1/16W 4.7KΩ ±1%)	
018		088	C	AA	VRSRCZ1JD473FN	Resistor	(1/16W 47KΩ ±1%)	
018		089	C	AA	VRSRCZ1JD473JN	Resistor	(1/16W 47KΩ ±5%)	
018		090	C	AA	VRSRCZ1JD562JN	Resistor	(1/16W 5.6KΩ ±5%)	
018		092	C	AA	VRSRCZ1JD680JN	Resistor	(1/16W 68Ω ±5%)	
018		094	C	AA	VRSRCZ1JD681JN	Resistor	(1/16W 680Ω ±5%)	
018		095	C	AA	VRSRCZ1JD752JN	Resistor	(1/16W 7.5KΩ ±5%)	
018		097	C	AB	VRSRRE3AA241J	Resistor	(1W 240Ω ±5%)	
018		098	C	AC	VRSRRE3DA1R0J	Resistor	(2W 1.0Ω ±5%)	
018		099	C	AC	VRSRRE3DA8R2J	Resistor	(2W 8.2Ω ±5%)	
018		100	B	AC	VSDTA123YK/-14	Transistor	(DTA123YK)	
018		101	B	AB	VSDTC114EK/-14	Transistor	(DTC114EK)	
018		102	B	AB	VSDTC114YK/-14	Transistor	(DTC114YK)	
018		103	B	AD	VSDTD114EK/-14	Transistor	(DTD114EK)	
018		104	B	AC	VS2SK3018++17	Transistor	(2SK3018)	
018		105	B	AE	VS2SK3065++17	Transistor	(2SK3065)	
018		106	B	AA	VHDDSS133//11	Diode	(DSS133)	
018	901		E	CA	CPWBN1552FCE3	PCU PWB unit		
019						19.Print control PWB unit		
019		001	D	AD	PCAPH0010GCZZ	Cap	(JM-2W-96)	
019		002	D	AC	PCOVP1782FCZZ	FAX battery cover		
019		003	C	AM	QCNCM1183FCPZ	Connector	(100pin)	
019		004	C	AL	QCNCM1227FCPZ	Connector	(10pin)	
019		006	C	AC	QPIN-0003GCPZ	Pin	(3pin)	
019		007	C	AH	QSOEN0100FCPZ	Socket		
019		008	C	AL	QSOEZ0001QSPZ	Socket	(DIMM168)	
019		009	C	AL	QSOEZ0091FCZZ	Socket	(HL50-A)	
019		010	C	AL	QSOEZ0094FCPA	Socket	(2SD72AR113)	
019		011	C	AE	QSOEZ6428ACZZ	IC socket	(28pin)	
019		012	B	AE	RCRSA0085FCPZ	Crystal	(32.768KHZLF)	
019		013	C	AC	RFILN0304FCPZ	Filter		
019		014	B	AH	UBATL0017FCPZ	Battery	(CR2450)	
019		015	B	AS	VHIEEP64-120P8	IC	(EEP64-120P8)	
019		016	B	AC	VHPSLR322VC3F2	LED	(SLR322VC3F2)	
019		017	B	AL	RCRUA0005FCPZ	Crystal	(8002 14.745)	

BLK	UNIT	ITEM	QTY	PRICE	PARTS CODE	DESCRIPTION	SPEC	LOCATION
019		018	B	AL	RCRUA0007FCPZ	Crystal	(8002 31.554)	
019		019	B	AL	RCRUA0008FCPZ	Crystal	(8002 40.57M)	
019		020	B	AL	RCRUA0009FCPZ	Crystal	(66.666MHZ)	
019		021	B	AL	RCRUA0023FCPZ	Crystal	(SG8002JC64M)	
019		022	B	AL	RCRUA0024FCPZ	Crystal	(SG8002JC66M)	
019		023	C	AB	RFILN0048FCPZ	Chip ferrite bead	(BLM15BB121)	
019		024	C	AA	RFILN0056FCZZ	Filter	(BLM18AG151S)	
019		025	B	BG	RH-IX0009FCPZ	IC	(W9864G6EH-7)	
019		026	B	AA	RMPTR4100ACPZN	Block resistor	(10Ω×4)	
019		027	B	AA	RMPTR4103ACPZN	Block resistor	(10KΩ×4)	
019		028	B	AA	RMPTR4330ACPZN	Block resistor	(33Ω×4)	
019		029	B	AA	RMPTR4472ACPZN	Block resistor	(4.7KΩ×4)	
019		030	C	AA	VCCCRZ1HH100DN	Capacitor	(50WV 10pF)	
019		031	C	AA	VCCCRZ1HH101JN	Capacitor	(50WV 100pF)	
019		032	C	AA	VCCCRZ1HH220JN	Capacitor	(50WV 22pF)	
019		033	C	AC	VCERSX1CN106ML	Capacitor	(16WV 10μF)	
019		034	C	AC	VCERSX1CN107ML	Capacitor	(16WV 100μF)	
019		035	C	AC	VCERSX1CN226ML	Capacitor	(16WV 22μF)	
019		036	C	AC	VCERSX1CN476ML	Capacitor	(16WV 47μF)	
019		037	C	AA	VCKYRY1EB104KN	Capacitor	(25WV 0.10μF)	
019		038	C	AA	VCKYRZ1CF104ZN	Capacitor	(16WV 0.10μF)	
019		039	C	AA	VCKYRZ1HB102KN	Capacitor	(50WV 1000pF)	
019		040	C	AA	VCKYRZ1HF103ZN	Capacitor	(50WV 0.01μF)	
019		041	B	AB	VHDDAP202U/-14	Diode	(DAP202U)	
019		042	B	AH	VHDF1071MT+0C	Diode	(F1071MT)	
019		043	B	AD	VHDRB451F//-14	Diode	(RB451F)	
019		044	B	AC	VHDRLS73///-14	Diode	(RLS73)	
019		045	B	AG	VHID62503FG-1	IC	(D62503FG)	
019		046	B	AN	VHIHI207ECB0C	IC	(HI207ECB0C)	
019		048	B	AD	VHILCX08MT+0C	IC	(LCX08MT)	
019		049	B	AD	VHILCX14MT+0C	IC	(LCX14MT)	
019		050	B	AE	VHILCX157MT0C	IC	(LCX157MT)	
019		051	B	AE	VHILCX244MT0C	IC	(LCX244MT)	
019		052	B	AE	VHILCX245MT0C	IC	(LCX245MT)	
019		053	B	AD	VHILCX32MT+0C	IC	(LCX32MT)	
019		054	B	AE	VHILCX373MT0C	IC	(LCX373MT0C)	
019		055	B	AD	VHILCX74MT+0C	IC	(LCX74MT)	
019		056	B	AE	VHILM393D++-17	IC	(LM339D)	
019		057	B	AM	VHILVX1284+0C	IC	(LVX1284)	
019		058	B	BH	VHIM87J4811-1	IC	(M87J4811)	
019		059	B	AH	VHINJM317DL-17	IC	(NJM317DL)	
019		060	B	AH	VHINJ6356LF-1	IC	(NJ6356LF)	
019		061	B	AG	VHIN2391D25-17	IC	(N2391D25)	
019		062	B	BK	VHIPM2060G+-1	IC	(PM2060G)	
019		063	B	BH	VHIPM22G75+-1	IC	(PM22G75)	
019		064	B	AE	VHIPT598DLF-1	IC	(PT598DLF)	
019		065	B	AE	VHIPT598ILF-1	IC	(PT598ILF)	
019		066	B	AQ	VHIP6C2409E-1	IC	(P6C2409E)	
019		067	B	BF	VHI4955A20B-1	IC	(4955A20B)	
019		068	B	BA	VHI65946P7A-1	IC	(65946P7A)	
019		069	B	AK	VHI90LV17AW-17	IC	(90LV17AW)	
019		070	C	AA	VRSRCZ1JD000JN	Resistor	(1/16W 0Ω ±5%)	
019		071	C	AA	VRSRCZ1JD100JN	Resistor	(1/16W 10Ω ±5%)	
019		072	C	AA	VRSRCZ1JD101JN	Resistor	(1/16W 100Ω ±5%)	
019		073	C	AA	VRSRCZ1JD102JN	Resistor	(1/16W 1.0KΩ ±5%)	
019		074	C	AA	VRSRCZ1JD103JN	Resistor	(1/16W 10KΩ ±5%)	
019		075	C	AA	VRSRCZ1JD220JN	Resistor	(1/16W 20Ω ±5%)	
019		076	C	AA	VRSRCZ1JD221JN	Resistor	(1/16W 200Ω ±5%)	
019		077	C	AA	VRSRCZ1JD222JN	Resistor	(1/16W 2.2KΩ ±5%)	
019		078	C	AA	VRSRCZ1JD330JN	Resistor	(1/16W 33Ω ±1%)	
019		079	C	AA	VRSRCZ1JD332JN	Resistor	(1/16W 3.3KΩ ±1%)	
019		080	C	AA	VRSRCZ1JD333JN	Resistor	(1/16W 33KΩ ±1%)	
019		081	C	AA	VRSRCZ1JD470JN	Resistor	(1/16W 47Ω ±5%)	
019		082	C	AA	VRSRCZ1JD472JN	Resistor	(1/16W 4.7KΩ ±5%)	
019		083	C	AA	VRSRCZ1JD750JN	Resistor	(1/16W 75Ω ±5%)	
019		084	C	AA	VRSRCZ1JD823JN	Resistor	(1/16W 820KΩ ±5%)	
019		085	B	AB	VSDTC114EUA-14	Transistor	(DTC114EUA)	
019		086	B	AB	VSDTC114YUA-14	Transistor	(DTC114YUA)	
019	901		E	CZ	CPLTM5757FC62	Print control PWB unit		
020						20.Mother board		
020		002	C	AK	QCNCM1132FCPZ	Connector	(TX25-50P-LT)	
020		003	C	AB	QCNCM7014SC0C8	Connector	(B3B-PH-K-S)	
020		004	C	AD	QCNCW1131FCZZ	Connector	(28pin)	
020		005	C	AC	VCEAZU1VW107M	Capacitor	(35WV 100μF)	
020		006	C	AD	VCESZU1VW477M-1	Capacitor	(35WV 470μF)	
020		007	B	AB	VHD10JDA10+-1	Diode	(10JDA10)	
020		008	B	AF	VHINJM7812A-18	IC	(NJM7812A)	
020	901		E	AS	CPWBN1460FCE5	Mother board unit		
021						21.Fuse PWB unit		

BLK	UNIT	ITEM	PRICE	PARTS CODE	DESCRIPTION	SPEC	LOCATION
021		001	C	AE	DHAI-3252FCZ1	Heater harness	
021		002	C	AG	QCNCM0895FCZZ	Connector	(3pin)
021		003	A	AH	QFS-B3631QCPZ	Fuse	(250V/15A)[100V series]
021		003	A	AE	QFS-D1421QCPZ	Fuse	(250V/10A)[200V series]
021		004	C	AC	QFSHD0026FCZZ	Fuse holder	(00335-31)[100V series]
021		005	C	AK	QSPGC0001FCZZ	Surge absorber	[100V series]
021		006	A	AD	QFS-J5311QCPZ	Fuse	(2.5/250)[200V series]
021		007	C	AC	QFSHB0028FCZZ	Fuse holder	(TP00351-31)[200V series]
021		008	C	AC	QTANP0215FCPZ	Terminal	(85163(#250))
021		009	C	AC	QTANP0218FCPZ	Terminal	(TP00370-21)
021		010	B	AD	VHV10V471K+-18	Varistor	(10V471K)
021	901		E	AU	CPWBF1626FCE1	Fuse PWB 100P	[100V series]
021	901		E	AU	CPWBF1641FCE3	Fuse PWB 200P	[200V series]
022					22.Cassette detect PWB unit		
022		001	C	AC	QCNCM0575FCZZ	Connector	(2pin)
022		002	C	AC	QCNCM0876FCPZ	Connector	(S4B-PH-K-S)
022		003	B	AD	QSW-P0532FCZZ	Tact switch	(B3F-4050)
022	901		E	AG	CPWBF1598FCE1	Cassette detect PWB	
023					23.Printer operation PWB unit		
023		003	B	AC	QSW-P0005QSZZ	Tact switch	(B3F-6102)
023		004	C	AB	VCKYSU1EB223ZA	Capacitor	(25WV 0.22μF)
023		005	B	AC	VHPSLR322MC3F2	LED	(SLR322MC3F2)
023		006	B	AC	VHP1LHEE-002AT	LED	(1LHEE-002AT)
023		007	C	AA	VRDRHT2EY472JA	Resistor	(1/6W 4.7KΩ ±5%)
023		008	B	AZ	VVLNCOG003A07	LCD	(NCOG003A07)
023		009	C	AC	LPLTM5706FCZZ	LCD fixing plate	
023		010	C	AH	QCNCW1134FCZZ	Connector	(T24FAZSMTTF)
023	901		E	BC	CPWBF1447FCE3	Printer operation PWB unit	
024					24.Power supply PWB 100Vseries		
024		001	C	AE	0AV1560000009	Film capacitor	(RE104-L 0.1μF 25V)C701
024		002	C	AD	0AV1560000002	Film capacitor	(RE104-C 0.1μF 25V)C760,C761
024		003	C	AR	0AV1560000008	Film capacitor	(RE155-C 1.5μF 25V)C702
024		004	C	AD	0AV1690000074	Ceramic capacitor	(DE0807E102M-KH)C703,C704
024		005	C	AH	0AV1560000005	Film capacitor	(RE474-C 0.47μF 50V)C705
024		006	C	AY	0AV1390000185	Al-electrolytic capacitor	(LGU2D182MHL)C706
024		007	C	AC	0AV1690000088	Ceramic capacitor	(PRE132R104K50)C707,C718,C720,C730
024		007	C	AC	0AV1690000088	Ceramic capacitor	(PRE132R104K50)C733,C742,C752,C756
024		007	C	AC	0AV1690000088	Ceramic capacitor	(PRE132R104K50)C759,C765
024		008	C	AC	0AV1610000091	Ceramic capacitor	(DE0905-979R102)C708,C709,C710,C726
024		008	C	AC	0AV1610000091	Ceramic capacitor	(DE0905-979R102)C747,C748,C749
024		009	C	AC	0AV1390000186	Al-electrolytic capacitor	(UPJ1H4R7MDH 4.7μF)C711
024		010	C	AC	0AV1390000187	Al-electrolytic capacitor	(UPJ1H220MEH 22μF)C712,C766,C768
024		011	C	AE	0AV1690000113	Ceramic capacitor	(DE1610-2E472M)C713,C767
024		012	C	AD	0AV1480000084	Film capacitor	(COMY-92MC2A10)C714,C715
024		013	C	AC	0AV1610000112	Ceramic capacitor	(RPE132R103K50)C716,C717,C763
024		014	C	AD	0AV1690000086	Ceramic capacitor	(RPE132R472K50)C719,C757
024		015	C	AC	0AV1610000109	Ceramic capacitor	(DE0705-979R471)C721,C722
024		016	C	AH	0AV1390000188	Al-electrolytic capacitor	(UPJ1V182MHH6 182μF)C728,C729
024		017	C	AC	0AV1390000189	Al-electrolytic capacitor	(UPJ1H010MDH 10μF)C734,C771
024		018	C	AD	0AV1390000190	Al-electrolytic capacitor	(UHD1V681MHR 68μF)C735
024		019	C	AG	0AV1390000195	Al-electrolytic capacitor	(UHD1V102MHR 102μF)C738
024		020	C	AD	0AV1690000089	Ceramic capacitor	(RPE132R223K50)C739,C744,C746,C755
024		021	C	AC	0AV1390000184	Al-electrolytic capacitor	(UPJ1H2R2MDH 2.2μF)C740,C753
024		022	C	AG	0AV1390000191	Al-electrolytic capacitor	(UHD1C222MHR 22μF)C741
024		023	C	AD	0AV1690000095	Ceramic capacitor	(RPE132R102K50)C743,C745,C770
024		024	C	AH	0AV1390000192	Al-electrolytic capacitor	(UHD1A562MHR 562μF)C750,C751
024		025	C	AC	0AV1390000193	Al-electrolytic capacitor	(UPJ1V820MEH 82μF)C754
024		026	C	AF	0AV1480000085	Film capacitor	(QXN2G104JTP 0.1μF)C764
024		027	C	AC	0AV1390000194	Al-electrolytic capacitor	(UPJ1C101MEH 10μF)C772
024		028	B	AE	0AV3060035000	Diode	(S1WB(A)60 1A 60V)D701
024		029	B	AC	0AV3070123000	Zenner diode	(RD6.8ES 400mW)D702
024		030	B	AC	0AV3060031000	Diode	(ERA15-04 1A 400V)D703,D704,D748
024		031	B	AR	0AV3060040000	Diode	(D15XB60 15A 60V)D705
024		032	B	AF	0AV3050019000	Diode	(ERA91-02 0.5A 20V)D706,D708,D710,D717,D746
024		032	B	AF	0AV3050019000	Diode	(ERA91-02 0.5A 20V)D747,D755,D758,D759
024		033	B	AB	0AV3050091000	Diode	(1SS270 60V 150mA)D707,D714,D726,D727,D728
024		033	B	AB	0AV3050091000	Diode	(1SS270 60V 150mA)D731,D733,D737,D738,D743
024		033	B	AB	0AV3050091000	Diode	(1SS270 60V 150mA)D744,D750,D751,D752
024		033	B	AB	0AV3050091000	Diode	(1SS270 60V 150mA)D754,D760,D762
024		034	B	AC	0AV3070128000	Zenner diode	(RD33ES 400mW)D709,D712,D756
024		035	B	AC	0AV3070115000	Zenner diode	(RD20ES 400mW)D713,D716
024		036	B	AC	0AV3070119000	Zenner diode	(RD5.6ES 400mW)D715,D720,D734,D736,D739
024		037	B	AN	0AV3050087000	Diode	(YG906C2R 20A 20V)D721
024		038	B	AC	0AV3070132000	Zenner diode	(RD4.7ES 400mW)D724
024		039	B	AK	0AV3050070000	Diode	(YG802C06 10A 60V)D729
024		040	B	AP	0AV3050080000	Diode	(YG805C04 20A 40V)D730
024		041	B	AC	0AV3070124000	Zenner diode	(RD3.9ES 400mW)D732
024		042	B	AC	0AV3070069000	Zenner diode	(RD51E 500mW)D735
024		043	B	AC	0AV3070125000	Zenner diode	(RD10ES 400mW)D742,D749

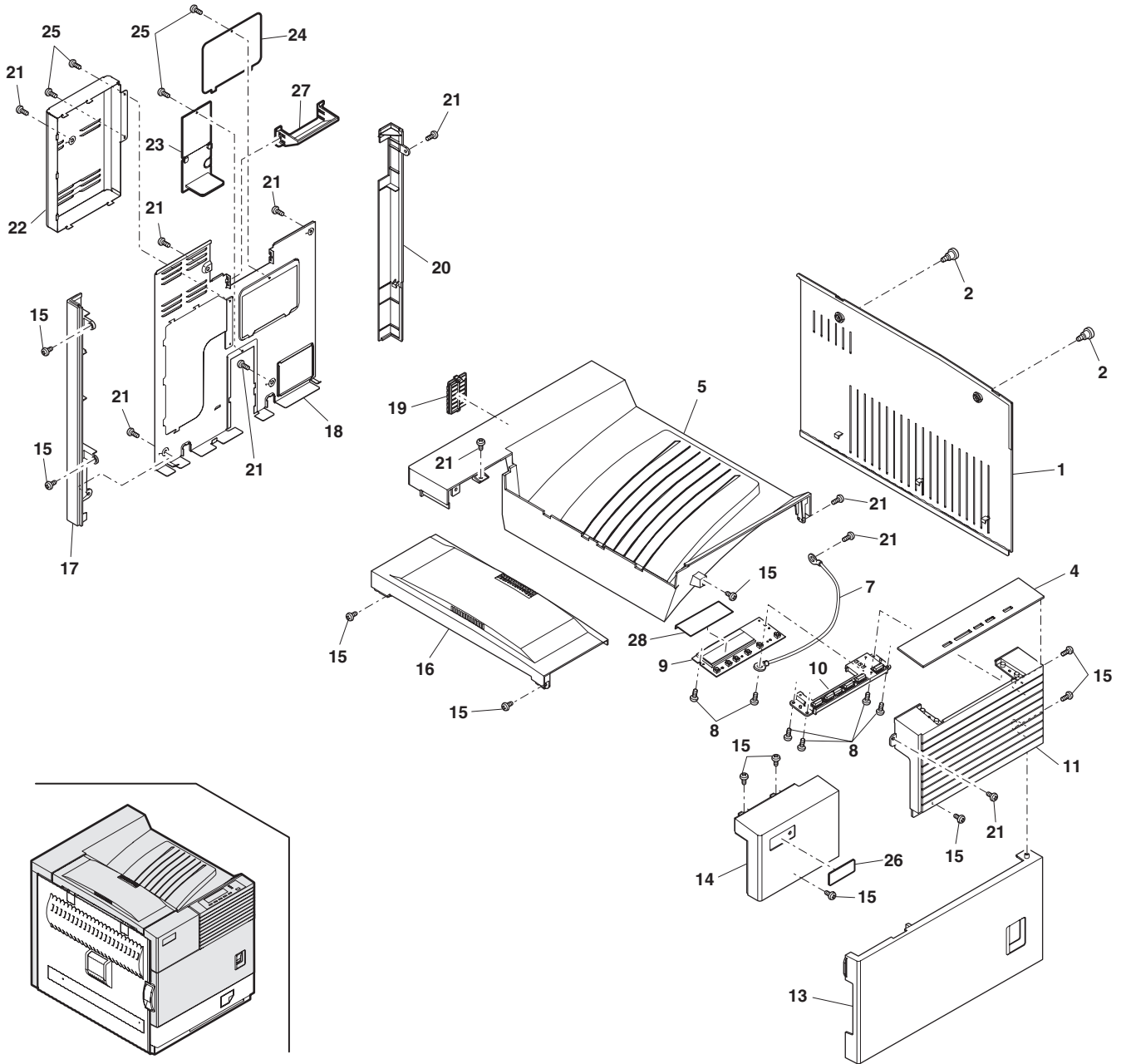
BLK	UNIT	ITEM	PRICE	PARTS CODE	DESCRIPTION	SPEC	LOCATION
024		044	B AC	0AV3070126000	Zenner diode	(RD3.0ES 400mW)	D745,D753
024		045	B AC	0AV3070117000	Zenner diode	(RD18ES 400mW)	D757
024		046	B AC	0AV3070127000	Zenner diode	(RD27ES 400mW)	D761
024		047	B AH	0AV2060023000	Thermal cutoff with resistor	(MEG05N4R7KB13)	FR701
024		048	B AL	0AV3090079000	IC	(FA5515P)	IC701,IC705
024		049	B AF	0AV3090041000	IC	(UPC1093J-1)	IC702,IC704
024		050	B AK	0AV3090008000	IC	(MB3759M)	IC703
024		051	C AR	0AV4070063000	Inductor	(DRC31-15A202)	L701
024		052	C AL	0AV4070064000	Inductor	(DRB25-05A202)	L702
024		053	C AC	0AV4120013000	Inductor	(T3140P3206536H)	L703,L710,L715
024		054	C AG	0AV4050016000	Inductor	(PC8T8R2M)	L707
024		055	C AD	0AV4120008000	Inductor	(LFP3A)	L708
024		056	C AL	0AV4080009000	Inductor	(HK-10S100-4500)	L709
024		057	C AC	0AV4120002000	Inductor	(B-01-A)	L711,L713,L714
024		058	C AH	0AV4050010000	Inductor	(PC8T3R3M)	L712
024		059	B AF	0AV3082561300	Photo coupler	(PS2561)	PC701,PC703,PC704
024		059	B AF	0AV3082561300	Photo coupler	(PS2561)	PC706,PC707
024		060	B AL	0AV3180000004	Phototriac coupler	(S21ME3Y)	PC702,PC705
024		061	B AS	0AV3042698000	FET	(2SK2698 500V 15)	Q701
024		062	B AC	0AV3001015500	Transistor	(2SA1015 -50V -1)	Q702,Q713
024		063	B AQ	0AV3042543000	FET	(2SK2543 500V 8)	Q704
024		064	B AC	0AV3021815500	Transistor	(2SC1815 50V 15)	Q706,Q709,Q710,Q711,Q714
024		064	B AC	0AV3021815500	Transistor	(2SC1815 50V 15)	Q715,Q717,Q718,Q719,Q723
024		065	B AN	0AV3040504000	FET	(2SJ504)	Q707
024		066	B AE	0AV3022655500	Transistor	(2SC2655)	Q708
024		067	B AN	0AV3042736000	FET	(2SK2736)	Q712
024		068	B AD	0AV3021002999	Transistor	(RN1002)	Q720,Q721,Q722
024		069	C AC	0AV2022213040	Metal oxide film resistor	(RSU01WST5A221)	R701
024		070	C AF	0AV2054754077	Cement filled resistor	(MNS05WNZ4R7J)	R702
024		071	C AB	0AV2014723030	Flame proof carbon resistor	(RDF50S4.7KΩJ 4)	R703,R704,R705
024		072	C AA	0AV2012233010	Flame proof carbon resistor	(RDF16S22KΩJ 22)	R706,R772,R827,R828
024		073	C AB	0AV2011843030	Flame proof carbon resistor	(RDF50S180KΩJ 1)	R707
024		074	C AB	0AV2014733030	Flame proof carbon resistor	(RDF50S47KΩJ 47)	R708,R709
024		075	C AB	0AV2011053010	Flame proof carbon resistor	(RDF16S1MΩJ 1M)	R710
024		076	C AA	0AV2011023010	Flame proof carbon resistor	(RDF16S1KΩJ 1K)	R711,R737,R750,R784
024		077	C AE	0AV2051083055	Cement filled resistor	(BPR02WFTR10J 0)	R712,R739
024		078	C AB	0AV2014733020	Flame proof carbon resistor	(RDF25S47KΩJ 47)	R713,R714,R733
024		079	C AB	0AV2011213030	Flame proof carbon resistor	(RDF50S120ΩJ 12)	R715,R732,R726,R728
024		080	C AB	0AV2011203020	Flame proof carbon resistor	(RDF25S12ΩJ 12)	R716
024		081	C AA	0AV2011033010	Flame proof carbon resistor	(RDF16S10KΩJ 10)	R717,R730,R735,R741
024		081	C AA	0AV2011033010	Flame proof carbon resistor	(RDF16S10KΩJ 10)	R753,R758,R776,R795
024		081	C AA	0AV2011033010	Flame proof carbon resistor	(RDF16S10KΩJ 10)	R800,R818,R824,R825
024		082	C AF	0AV2021013078	Metal oxide film resistor	(RSS5FB100ΩJ H1)	R718,R744
024		083	C AA	0AV2013323010	Flame proof carbon resistor	(RDF16S3.3KΩJ 3)	R719,R775,R817
024		084	C AC	0AV2023903040	Metal oxide film resistor	(B39ΩJ 39Ω 1W)	R720,R731
024		085	B AA	0AV2018213010	Fusing resistor	(RF16S820ΩJ 820)	R721
024		086	C AA	0AV2013933010	Flame proof carbon resistor	(RDF16S39KΩJ 39)	R722,R790
024		087	C AC	0AV2148203040	Metal oxide film resistor	(RSS182ΩJ 82Ω 1)	R723
024		088	C AA	0AV2012243010	Flame proof carbon resistor	(RDF16S220KΩJ 2)	R724
024		089	B AA	0AV2011013030	Fusing resistor	(RF50S100ΩJ 100)	R725,R727
024		090	C AA	0AV2012223010	Flame proof carbon resistor	(RDF16S2.2KΩJ 2)	R729,R749,R766,R777
024		090	C AA	0AV2012223010	Flame proof carbon resistor	(RDF16S2.2KΩJ 2)	R807,R808,R810,R797
024		091	C AA	0AV2011813010	Flame proof carbon resistor	(RDF16S180ΩJ 18)	R734,R768
024		092	C AA	0AV2016833010	Flame proof carbon resistor	(RDF16S68KΩJ 68)	R736,R745
024		093	B AC	0AV2041213010	Fusing resistor	(RF16S120ΩJ 120)	R738
024		094	C AA	0AV2012203020	Flame proof carbon resistor	(RDF25S22ΩJ 22)	R740
024		095	C AA	0AV2018233010	Flame proof carbon resistor	(RDF16S82KΩJ 82)	R742
024		096	C AF	0AV2024703078	Metal oxide film resistor	(RSS5FB47ΩJ H1 4)	R743
024		097	C AA	0AV2012233020	Flame proof carbon resistor	(RDF25S22KΩJ 22)	R746,R747
024		098	C AA	0AV2013333010	Flame proof carbon resistor	(RDF16S33KΩJ 33)	R748
024		099	C AA	0AV2012723010	Flame proof carbon resistor	(RDF16S2.7KΩJ 2)	R751
024		100	C AC	0AV2990083000	Metal film resistor	(SN16S22.3KΩD 2)	R754
024		101	C AC	0AV2990010000	Metal film resistor	(SN16S2.55KΩD 2)	R755
024		102	C AA	0AV2011533010	Flame proof carbon resistor	(RDF16S15KΩJ 15)	R756
024		103	C AA	0AV2012213020	Flame proof carbon resistor	(RDF25S220ΩJ 22)	R761
024		104	C AA	0AV2014773020	Flame proof carbon resistor	(RDF25S4.7ΩJ 4.7)	R762
024		105	C AA	0AV2014723020	Flame proof carbon resistor	(RDF25S4.7KΩJ 4)	R763
024		106	C AG	0AV2051094075	Cement filled resistor	(BPR05WFTR10J 0)	R764
024		107	C AA	0AV2015623010	Flame proof carbon resistor	(RDF16S5.6KΩJ 5)	R765
024		108	B AC	0AV2041013010	Fusing resistor	(RF16S100ΩJ 100)	R767
024		109	C AA	0AV2011213020	Flame proof carbon resistor	(RDF25S120ΩJ 12)	R769,R771
024		110	C AA	0AV2011233010	Flame proof carbon resistor	(RDF16S12KΩJ 12)	R773
024		111	C AC	0AV2990084000	Metal film resistor	(SN16S1.2KΩD 1)	R778
024		112	C AC	0AV2990085000	Metal film resistor	(SN16S39KΩD 39)	R779
024		113	C AC	0AV2142203040	Metal oxide film resistor	(B22ΩJ 22Ω 1W)	R780
024		114	C AA	0AV2013313010	Flame proof carbon resistor	(RDF16S330ΩJ 33)	R781
024		115	C AA	0AV2011003010	Flame proof carbon resistor	(RDF16S100ΩJ 10)	R782
024		116	C AA	0AV2013913010	Flame proof carbon resistor	(RDF16S390ΩJ 39)	R783
024		117	C AA	0AV2011223010	Flame proof carbon resistor	(RDF16S1.2KΩJ 1)	R785

BLK	UNIT	ITEM	QTY	PRICE	PARTS CODE	DESCRIPTION	SPEC	LOCATION
024		118	C	AA	0AV2016813010	Flame proof carbon resistor	(RDF16S680Ω) 68	R786
024		119	C	AA	0AV2011213010	Flame proof carbon resistor	(RDF16S120Ω) 12	R791
024		120	C	AA	0AV2014713010	Flame proof carbon resistor	(RDF16S470Ω) 47	R792,R814,R809,R826
024		121	C	AA	0AV2012733010	Flame proof carbon resistor	(RDF16S27KΩ) 27	R793,R794
024		122	C	AA	0AV2015633010	Flame proof carbon resistor	(RDF16S56KΩ) 56	R798
024		123	B	AC	0AV2043313010	Fusing resistor	(RF16S330Ω) 330	R801
024		124	C	AC	0AV2021533040	Metal oxide film resistor	(B15KΩ) 15KΩ 1W	R804,R805
024		125	C	AC	0AV2144703040	Metal oxide film resistor	(RSS147Ω) 47Ω 1W	R806
024		126	C	AB	0AV2016833020	Flame proof carbon resistor	(RDF25S68KΩ) 68	R811,R812
024		127	C	AA	0AV2014733010	Flame proof carbon resistor	(RDF16S47KΩ) 47	R813,R819,R820
024		128	C	AA	0AV2012213010	Flame proof carbon resistor	(RDF16S220Ω) 22	R815
024		129	B	AC	0AV2042203010	Fusing resistor	(RF16S22Ω) 22Ω	R816
024		130	C	AA	0AV2014723010	Flame proof carbon resistor	(RDF16S4.7KΩ) 4.7	R821,R822,R752
024		130	C	AA	0AV2014723010	Flame proof carbon resistor	(RDF16S4.7KΩ) 4.7	R759,R774,R799
024		131	C	AA	0AV2011043010	Flame proof carbon resistor	(RDF16S100KΩ) 100	R823
024		132	B	AY	0AV4000136711	Transformer	(N-T01-367)	T701
024		133	B	AQ	0AV4000131011	Transformer	(N-T01-310)	T702
024		134	B	AP	0AV3160033000	Traic	(TM1641P)	TR701,TR703
024		135	B	AN	0AV3160035000	Traic	(BCR10PM-8LP)	TR702
024		136	B	AC	0AV2081029188	Potentiometer	(RH063MC13R 1KΩ)	VR701,VR702
024		137	B	AP	0AV5080011000	Relay	(ALE15B24)	RL701
024		138	B	AF	0AV5190002000	Varistor	(ENC271D-10A-TA)	X701
024		139	B	AG	0AV5030126000	Connector	(B03P-VL)	CN1
024		140	B	AD	0AV5030127000	Connector	(B7B-PH-K-S)	CN2
024		141	B	AC	0AV5030036000	Connector	(B2P3-VH)	CN3
024		142	B	AD	0AV5030128000	Connector	(B03B-XASK-1)	CN4
024		143	B	AK	0AV5030129000	Connector	(B12P-HL-A)	CN5
024		144	C	AD	0AV5130009000	Terminal	(TP82224-31)	
024		145	C	AC	0AV5130008000	Terminal	(TP00370-41)	
024		149	C	AN	0AV6113116511	Heatsink	(LM31165)	
024		150	C	AG	0AV6114120611	Heatsink	(LM41206)	
024		151	C	AF	0AV6114124411	Heatsink	(LM41244)	
024		152	C	AA	0AV5050005000	Holder	(PFC5000-0203)	
024		153	C	AE	0AV7100003000	Insulation sheet	(M-30AD-D-3)	
024		154	C	AB	0AV5110012000	Jumper wire	(RJ-SKA-06)	RJ701,RJ709,RJ710,RJ714
024		154	C	AB	0AV5110012000	Jumper wire	(RJ-SKA-06)	RJ717,RJ726,RJ730,RJ762
024		154	C	AB	0AV5110012000	Jumper wire	(RJ-SKA-06)	RJ765,RJ769
024		155	C	AA	0AV5110003000	Jumper wire	(RJ-SBA-06)	RJ705,RJ721,RJ729,RJ733,RJ743
024		155	C	AA	0AV5110003000	Jumper wire	(RJ-SBA-06)	RJ739,RJ743,RJ764,RJ770
024		156	C	AA	0AV5110001000	Jumper wire	(RJ-SCA-06)	RJ708,RJ712,RJ742,RJ751
024		156	C	AA	0AV5110001000	Jumper wire	(RJ-SCA-06)	RJ753,RJ756,RJ767,RJ771
024		157	C	AA	0AV5110006000	Jumper wire	(RJ-SDA-06)	RJ713,RJ715,RJ722,RJ723,RJ725
024		157	C	AA	0AV5110006000	Jumper wire	(RJ-SDA-06)	RJ738,RJ740,RJ747,RJ750
024		157	C	AA	0AV5110006000	Jumper wire	(RJ-SDA-06)	RJ752,RJ760,RJ766,RJ768
024		158	C	AA	0AV5110002000	Jumper wire	(RJ-SEA-06)	RJ702,RJ724,RJ727,RJ732
024		158	C	AA	0AV5110002000	Jumper wire	(RJ-SEA-06)	RJ737,RJ749,RJ761
024		159	C	AB	0AV5110011000	Jumper wire	(RJ-06)	RJ720,RJ735,RJ736,RJ741
024		160	C	AA	0AV5110004000	Jumper wire	(RJ-SGA-06)	RJ703,RJ704,RJ706,RJ707
024		160	C	AA	0AV5110004000	Jumper wire	(RJ-SGA-06)	RJ711,RJ716,RJ718,RJ719
024		160	C	AA	0AV5110004000	Jumper wire	(RJ-SGA-06)	RJ728,RJ731,RJ744,RJ745
024		160	C	AA	0AV5110004000	Jumper wire	(RJ-SGA-06)	RJ746,RJ748,RJ757,RJ758
024		161	A	AF	0AV5060086000	Fuse	(23706.3 6.3A/125V)	F701,F702
024		162	A	AF	0AV5060087000	Fuse	(23704 4A/125V)	F703
024		163	A	AF	0AV5060088000	Fuse	(23710 10A/125V)	F706
024		164	A	AE	0AV5060089000	Fuse	(396 2 2A/125V)	F705
024		165	C	AD	0AV7414135911	Label	(LV41359)	
024	901		E	BX	RDENC0020FCP6	AC/DC power suply PWB 100	[100V series]	
025						25.Power supply PWB 200Vseries		
025		001	C	AC	LANGK8268PAZZ	Angle		
025		006	C	AE	PRDAR0534PAZZ	Heat sink	(H=30)	
025		007	C	AF	PRDAR0633PAZZ	Heat sink	(FIN(BD only))	
025		008	C	AK	PRDAR0638PAZZ	Heat sink	(FIN-A)	
025		009	C	AD	PZETO0062PAZZ	Silicon tube	(45T-11-30L)	
025		010	C	AE	PZETO0070PAZZ	Silicon tube	(T45-13.5-L30)	
025		011	B	AE	RH-HX0027PAZZ	Thermistor	(PTH9M04BE471)	TH101
025		012	B	AK	VHDESAD92M02/	Diode	(ESAD92M02)	D101
025		013	B	AH	VHDGSIB6A60-1	Diode	(GSIB6A60)	BD1
025		014	B	AH	VHDYG805C04-1	Diode	(YG805C04)	D201,D301
025		015	B	AT	VHSTM1661P/-F	Thyristor	(TM1661P-L(L))	TRC41,42
025		016	B	AG	VHSTM861S//--1	Thyristor	(TM861S)	TRC1
025		017	B	AL	VS2SJ477///-1	Transistor	(2SJ477)	Q201,Q301
025		018	B	AT	VS2SK2082//--1	Transistor	(2SK2082)	Q1
025		019	C	AC	QFSHA0025PAZZ	Fuse holder		F1-4
025		021	C	AB	RCORF4093PAZZ	Ferrite bead		BJ1,2,3,101,102
025		022	C	AA	RR-DZ0029PAZZ	Resistor	(1/4W-100J)	R42,45
025		023	C	AA	RR-DZ0034PAZZ	Resistor	(1/4W-220J)	R43,46
025		024	C	AB	RR-SN1021PA6D	Resistor	((SN)1/6S 1.02)	R105
025		025	C	AB	RR-SN9311PA6D	Resistor	((SN)1/6S 9.31)	R104
025		026	B	AB	RR-XZ0012PAZZ	Fuse Resistor	(1/4W 4.7Ω)	R4

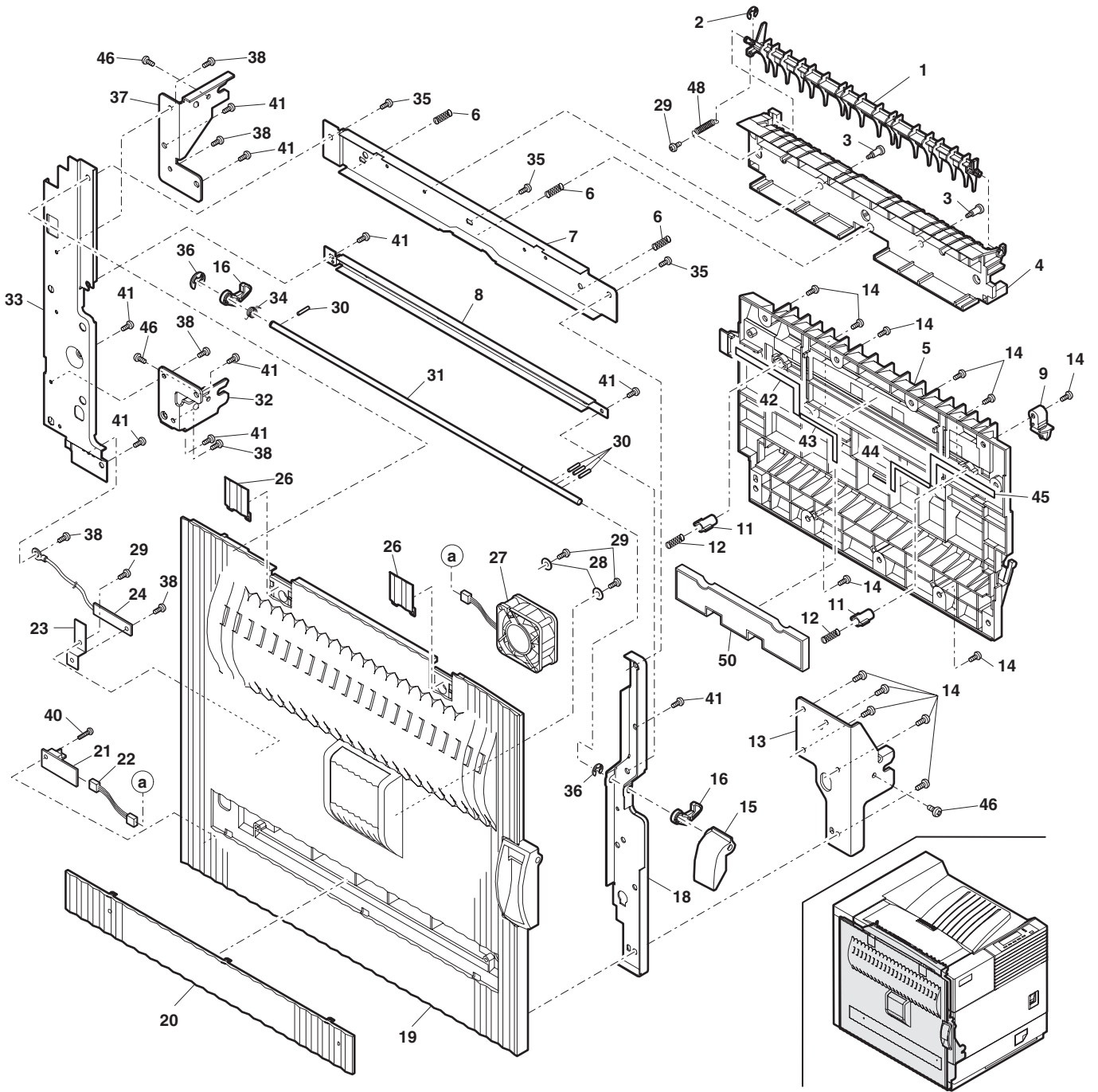
BLK	UNIT	ITEM	PRICE	PARTS CODE	DESCRIPTION	SPEC	LOCATION	
025		027	B	AB	RR-XZ0030PAZZ	Fuse Resistor	(1/6W 100Ω)	R6,13
025		028	B	AD	VHDERA2210/-1	Diode	(ERA22-10)	D4
025		029	B	AC	VHDERA9102/-1	Diode	(ERA91-02)	D1
025		030	B	AC	VHD1N4005// -1	Diode	(1N4005-G23)	D3
025		031	B	AA	VHD1SS270A/-1	Diode	(1SS270A)	D2,102,103,202
025		032	B	AB	VHEHVS27-1/-1	Zener diode	(HVS27-1)	ZD1,101
025		033	B	AB	VHEHVS4B2// -1	Zener diode	(HVS4B2)	ZD301
025		034	B	AC	VHEHVS6B2// -1	Zener diode	(HVS6B2)	ZD201
025		035	B	AC	VHERD39ESB1-1	Zener diode	(RD39ESB1(A))	ZD2,3
025		036	B	AC	VHERD6.8ESB1	Zener diode	(RD6.8ESAB1)	ZD4
025		037	C	AA	VRD-ST2CD102J	Resistor	((ST)1/6S-1KJ)	R11,18
025		038	C	AA	VRD-ST2CD103J	Resistor	((ST)1/6S-10KJ)	R12
025		039	C	AA	VRD-ST2CD104J	Resistor	((ST)1/6S-100KJ)	R143
025		040	C	AA	VRD-ST2CD151J	Resistor	(1/6W 150Ω ±5%)	R19,20
025		041	C	AA	VRD-ST2CD153J	Resistor	((ST)1/6S-15KJ)	R88
025		042	C	AA	VRD-ST2CD221J	Resistor	((ST)1/6S-220J)	R102,108
025		043	C	AA	VRD-ST2CD223J	Resistor	((ST)1/6S-22KJ)	R87
025		044	C	AB	VRD-ST2CD270J	Resistor	((ST)1/6S-27J)	R106
025		045	C	AA	VRD-ST2CD471J	Resistor	(1/6W 470Ω ±5%)	R101,103,107
025		046	C	AA	VRD-ST2CD472J	Resistor	((ST)1/6S-4.7KJ)	R7,110,144
025		047	C	AA	VRD-ST2CD682J	Resistor	(1/6W 6.8KΩ ±5%)	R10
025		048	C	AB	VRD-ST2CD821J	Resistor	((ST)1/6S-820J)	R8
025		049	C	AA	VRD-ST2EF824J	Resistor	(1/4W 8.2KΩ ±5%)	R82
025		050	C	AB	VRD-ST2HA470J	Resistor	((ST)1/2S-47J)	R3
025		051	C	AB	VRD-ST2HF224J	Resistor	(1/2W 220KΩ ±5%)	R1
025		052	C	AB	VRD-ST2HF273J	Resistor	((ST)1/2S-27KJ)	R23,24
025		053	C	AB	VRS-FT3AD104J	Resistor	((FT)1.0W-100K)	R15,16
025		054	C	AA	VRS-FT3AD121J	Resistor	((FT)1.0W-120 ±5)	R41,44
025		055	C	AB	VRS-FT3AD181J	Resistor	((FT)1.0W-180J)	R223,323
025		056	C	AB	VRS-FT3AD270J	Resistor	((FT)1.0W-27J)	R9
025		058	C	AC	RC-KZ4014PAZZ	Capacitor	(ECKZ3A471KB)	C14,101,102
025		059	C	AB	RC-QZA103PARJ	Capacitor	(103PF/J/50V)	C17
025		060	C	AB	RC-QZA222PARJ	Capacitor	(2200PF/J/50V)	C7
025		061	C	AB	RC-QZA471PARJ	Capacitor	(471PF/J/50V)	C12
025		062	C	AB	RC-QZA472PARJ	Capacitor	(472PF/J/50V)	C8
025		063	C	AC	RC-QZS104PARJ	Capacitor	(104PF/J/50V)	C9,11,42,44
025		064	C	AD	RC-QZ0130PAZZ	Capacitor	(0.001μF 630V)	C19
025		065	C	AD	RC-QZ0176PAZZ	Capacitor	((KH)4700PF/25)	C6,21,22
025		066	C	AC	RC-QZ0218PAZZ	Capacitor	((TS)2200PF/250V)	C4,5,81,82
025		067	B	AD	RH-IX0783PAZZ	IC	(L5431)	IC101
025		068	C	AB	VCEAFU1HM225M	Capacitor	(YXF 2.2MF/50V)	C105
025		069	C	AC	VCEAFU1HM474M	Capacitor	(YXF 0.47MF/50)	C20
025		070	C	AC	VCEAFU1HM476M	Capacitor	(YXF 47MF/50V)	C10
025		071	B	AE	VHVC471D10A-1	Varistor	(ENC471D10A)	ZR1
025		072	B	AE	VS2SA673AC/-1	Transistor	(2SA673AC)	Q2
025		073	B	AC	VS2SC1213-C1A	Transistor	(2SC1213C)	Q131,203,303
025		075	B	AC	RR-XZ0076PAZZ	Fuse Resistor	(1/6W-1)	R234,334
025		076	C	AA	VRD-ST2CD101J	Resistor	((ST)1/6S-100J)	R204,304
025		077	C	AA	VRD-ST2CD102J	Resistor	((ST)1/6S-1KJ)	R210,310
025		078	C	AA	VRD-ST2CD103J	Resistor	((ST)1/6S-10KJ)	R232,332
025		079	C	AA	VRD-ST2CD104J	Resistor	((ST)1/6S-100KJ)	R239,339
025		080	C	AA	VRD-ST2CD123J	Resistor	((ST)1/6S-12KJ)	R235,335
025		081	C	AA	VRD-ST2CD151J	Resistor	(1/6W 150Ω ±5%)	R202,203,302
025		082	C	AA	VRD-ST2CD182J	Resistor	(ST1/6S-1.8KJ)	R305
025		083	C	AA	VRD-ST2CD222J	Resistor	(1/6W 2.2KΩ ±5%)	R237,337
025		084	C	AA	VRD-ST2CD332J	Resistor	(1/6W 3.3KΩ ±5%)	R205
025		085	C	AA	VRD-ST2CD333J	Resistor	((ST)1/6S-33KJ)	R218,318
025		086	C	AB	VRD-ST2CD470J	Resistor	((ST)1/6S-47J)	R209,309
025		087	C	AA	VRD-ST2CD472J	Resistor	((ST)1/6S-4.7KJ)	R231,233,236
025		088	C	AA	VRD-ST2CD561J	Resistor	((ST)1/6S-560J)	R212,312
025		089	C	AA	VRD-ST2CD823J	Resistor	((ST)1/6S-82KJ)	R240
025		090	C	AC	RC-QZS104PARJ	Capacitor	(104PF/J/50V)	C210,213,310
025		091	C	AB	RC-QZS471PARJ	Capacitor	(471PF/J/50V)	C212
025		092	B	AD	RVR-M0390PAZZ	Variable resistor	(VR-1K)	VR201,301
025		093	C	AC	VCCSPA1H6331J	Capacitor	(SL/331PF/J/50)	C211,311
025		094	B	AC	VS2SC2785F/-1	Transistor	(2SC2785-FF)	Q202,302
025		095	C	AC	QTANZ0426PAZZ	Terminal	(6030B1-05)	CN201
025		096	C	AC	QTANZ0480PAZZ	Terminal	(6030 4P)	CN301
025		097	B	AP	RH-IX0275PAZZ	IC	(TL494CN)	IC201,301
025		099	A	AD	QFS-C0051PAZZ	Fuse	(T4A H/250V)	F1,3,4
025		100	A	AD	QFS-C0054PAZZ	Fuse	(215)6.3A/250	F2
025		101	C	AC	QLUGP0024PAZZ	Terminal		N1,L1
025		102	C	AC	QLUGP0034PAZZ	Terminal		-
025		103	C	AC	QLUGP2021YAZZ	Terminal	(T-42082)	N2,N2R
025		104	C	AB	QPLGJ2326YAZZ	Connector	(B2P3-VH)	CN3
025		105	C	AE	QPLGZ0430PAZZ	Connector	(B6-PH-K-S)(6PIN)	CN2
025		106	C	AH	QPLGZ0618PAZZ	Connector	(B03P-VL)	CN1
025		107	C	AD	QPLGZ0622PAZZ	Connector	(B03B-XASK-1)	CN4
025		108	C	AN	QPLGZ0624PAZZ	Connector	(B12P-HL-A)	CN5

BLK	UNIT	ITEM	PRICE	PARTS CODE	DESCRIPTION	SPEC	LOCATION
025		109	C	AE	RC-EZ0502PAZZ	Capacitor	(PS 2200MF/10V) C202,203,302
025		110	C	AG	RC-EZ0646PAZZ	Capacitor	(MXC 470MF/400) C15
025		111	C	AD	RC-FZ148DPAZZ	Capacitor	(RE)0.1MF/275 C2,41,43,83
025		112	C	AE	RC-FZ150DPAZZ	Capacitor	(RE)0.33MF/27 C23,24
025		113	C	AG	RC-FZ163DPAZZ	Capacitor	(RE105MF 250V) C18
025		114	B	AM	RH-IX2262PAZZ	IC	(FA5310) IC1
025		115	B	AF	RH-PX0285PAZZ	Photo coupler	(PC123Y(2)) PC1,2,3,6
025		116	B	AM	RH-PX0308PAZZ	Photo thyristor	(S21ME3) PC4,5
025		117	B	AN	RMPTK0019PAZZ	Block resistor	(7EG 15J) R72
025		118	C	AC	RR-BZ0005PAZZ	Resistor	R206,207,208
025		119	C	AF	RR-FZA3HCR05K	Resistor	((FZ)5.0W-0.05) R5
025		120	C	AC	RR-SZ0070PAZZ	Resistor	(2W(L17.5)220K) R21
025		121	C	AB	RR-SZ0072PAZZ	Resistor	(RSI-2S 22J) R26,27,28
025		122	C	AB	RR-SZ0098PAZZ	Resistor	(2W 33KJ) R83
025		123	C	AC	RR-SZ0126PAZZ	Resistor	(2W-330K) R25
025		124	C	AB	RR-SZ0129PAZZ	Resistor	(2W-68K) R31,32
025		125	B	AL	RRLY0107PAZZ	Relay	(OMIH-SS-124LM) RY1
025		126	B	AE	RTRNZ0607PANT	Transfomer	(Z0607) L201,301
025		127	B	AN	RTRNZ0704PANJ	Transfomer	(Z0704H) L1
025		128	B	AP	RTRNZ0765PANE	Transfomer	(Z0765D) L2
025		129	B	AM	RTRNZ0769PANJ	Transfomer	(Z0769H) L3,4
025		130	B	AU	RTRNZ0770PANJ	Transfomer	(Z0770H) T1
025		131	B	AP	RTRNZ0771PANJ	Transfomer	L101,202,302
025		132	C	AH	VCEAFW1VM228M	Capacitor	(YXF 2200MF/35) C208,308
025		133	C	AL	VCEAFW1VM338M	Capacitor	(YXF 3300MF/35) C103,104
025		134	B	AE	VHDS1WBA60/-1	Diode	(S1WBA60) BD2,3
025		135	C	AB	VRS-FT3DD223J	Resistor	((FT)2.0W-22KJ) R84,85
025		136	C	AC	PCOVW0044PAZZ	Cover	(C6)
025		137	D	AB	TLABN0955PAZZ	Label	
025	901		E	BX	RDENC0021FCP6	AC/DC power suply PWB 200	[200V series]

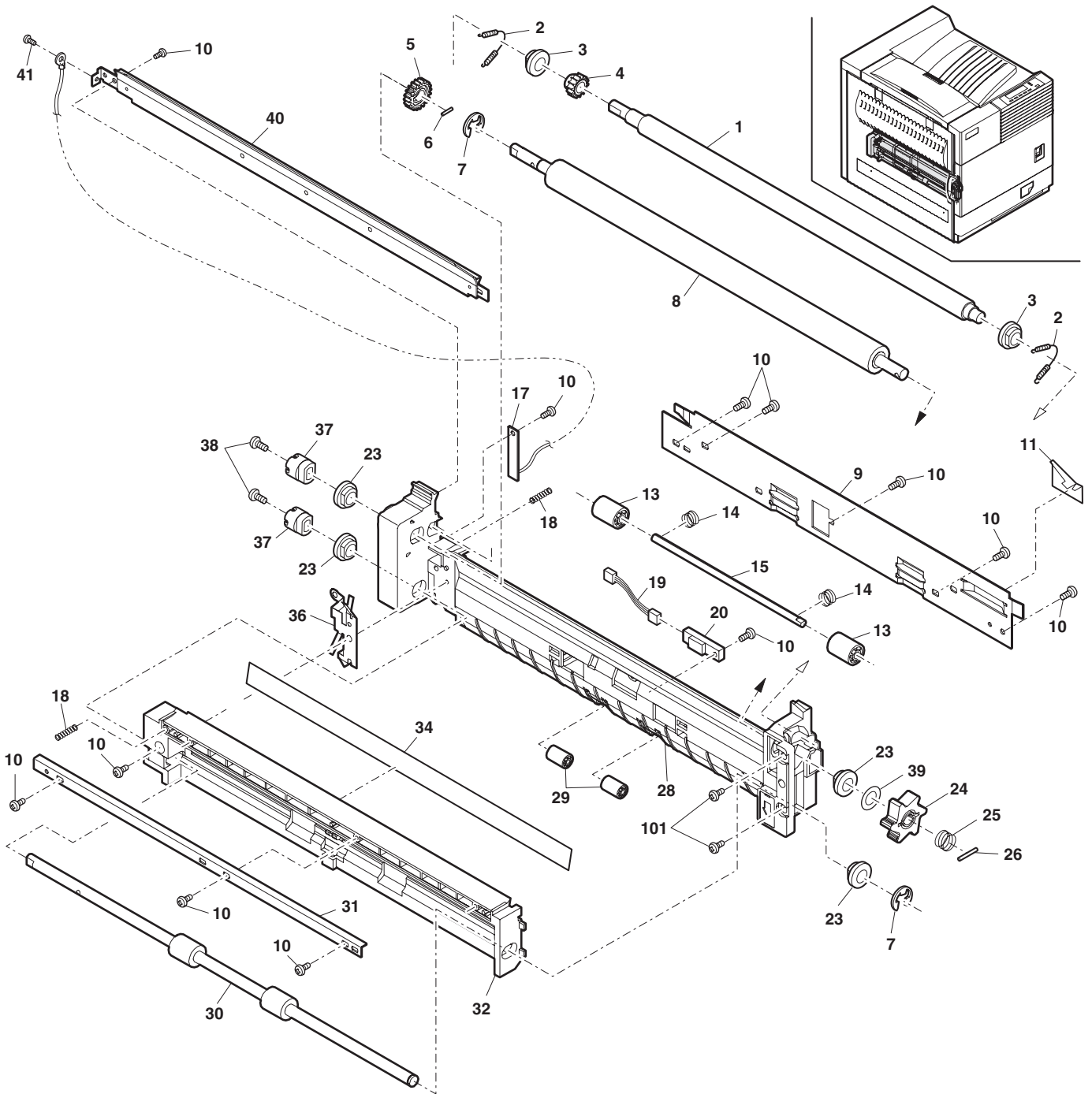
B8300 (1)



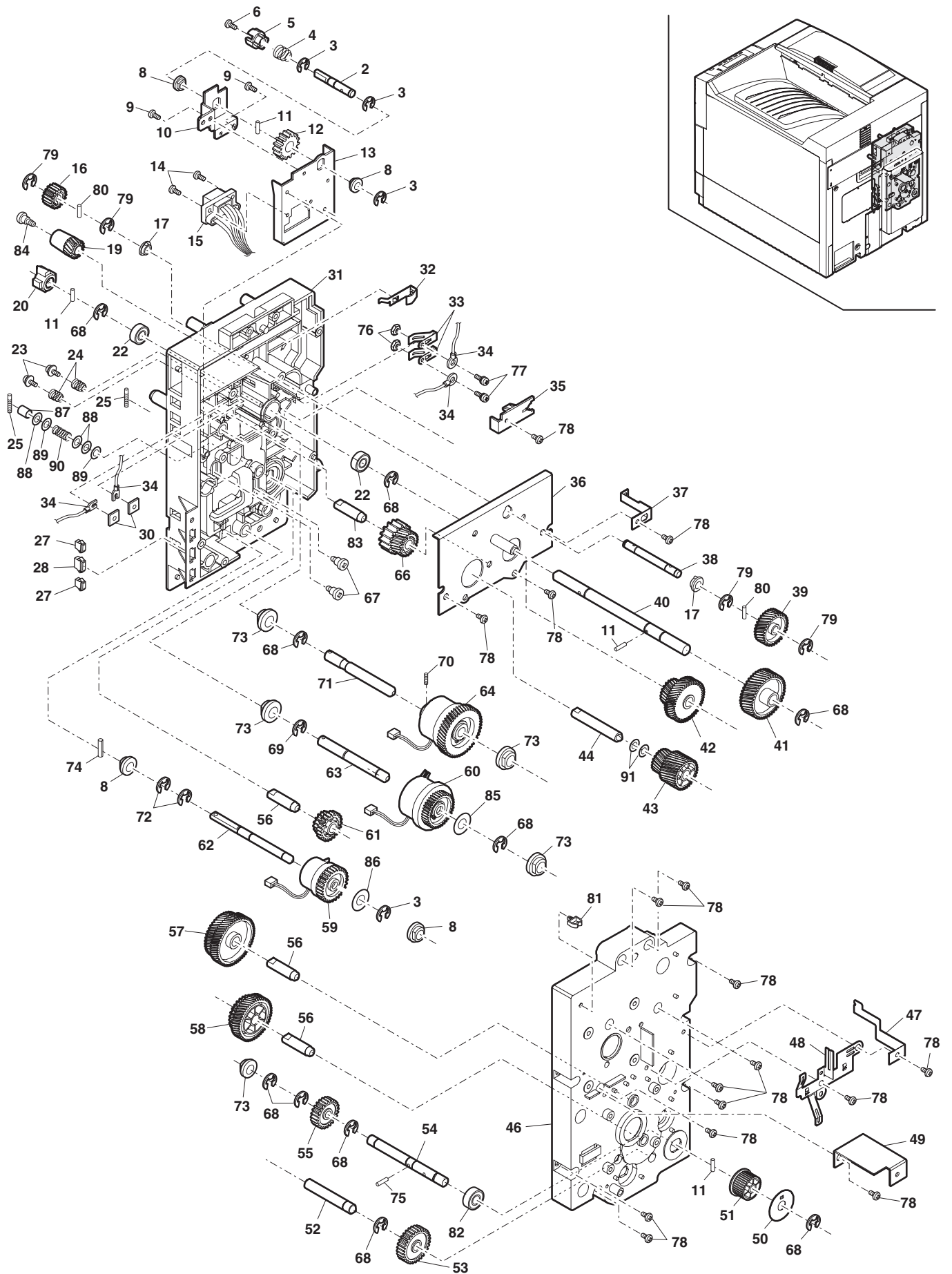
B8300 (2)



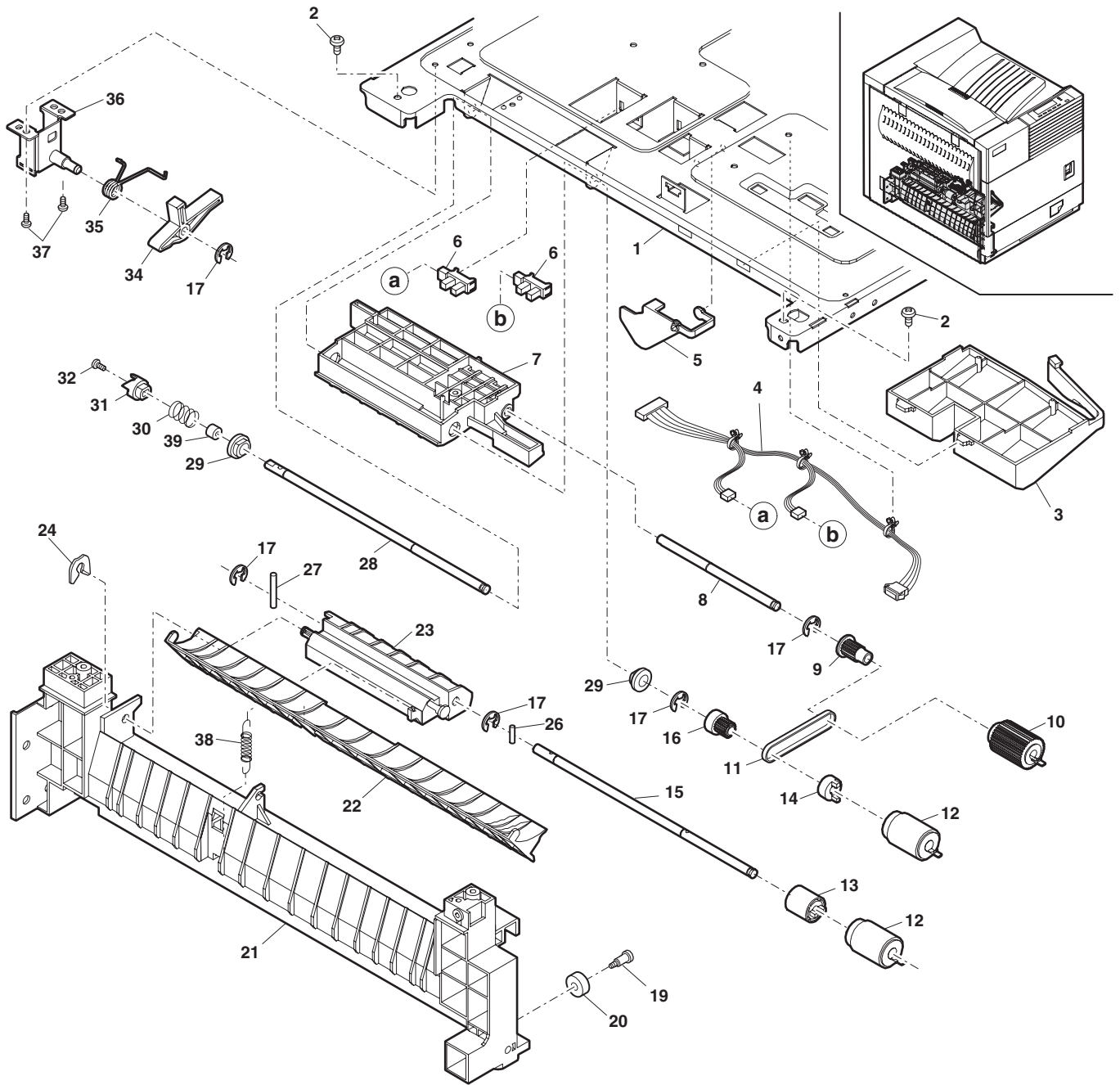
B8300 (3)



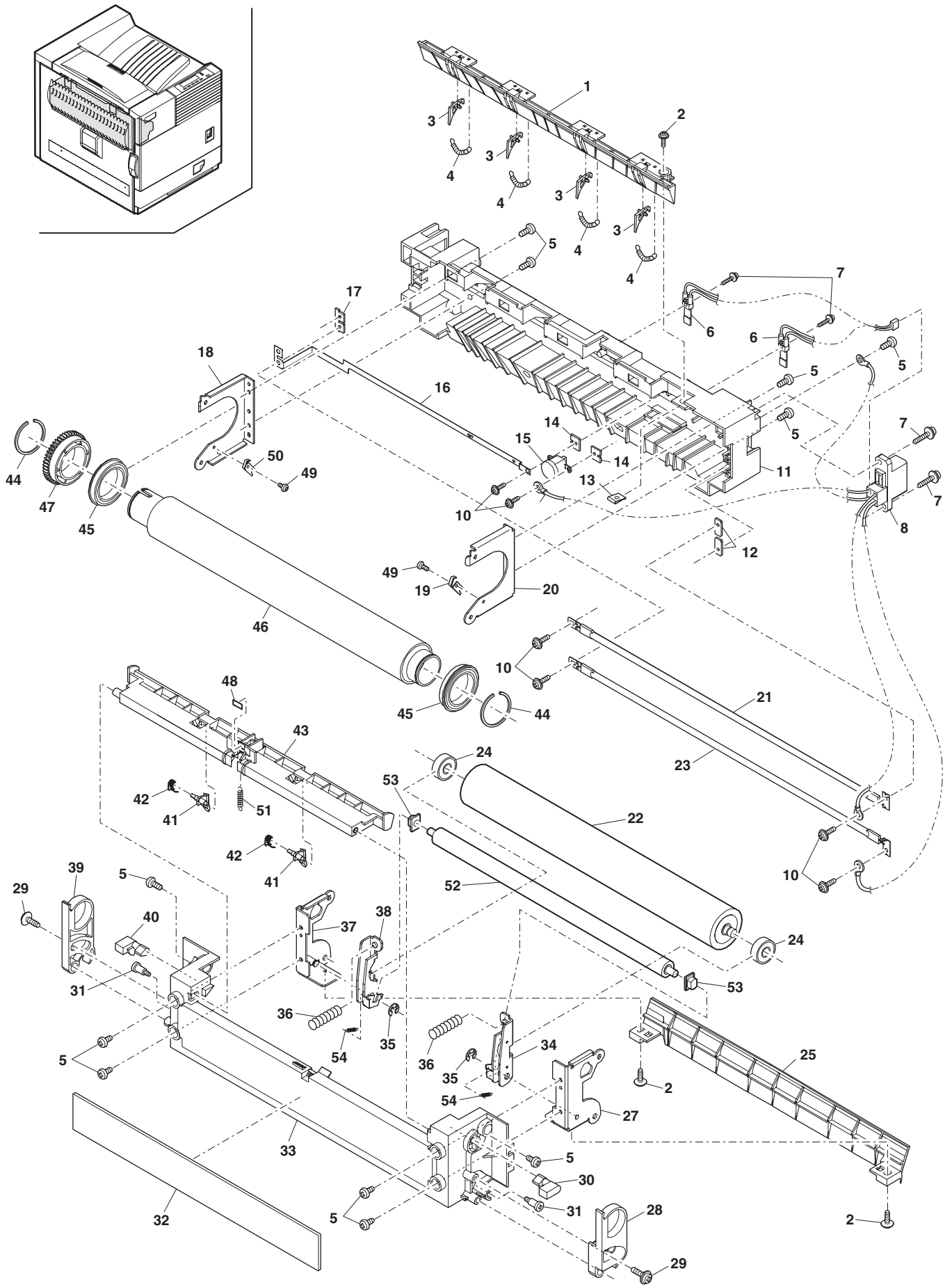
B8300 (4)



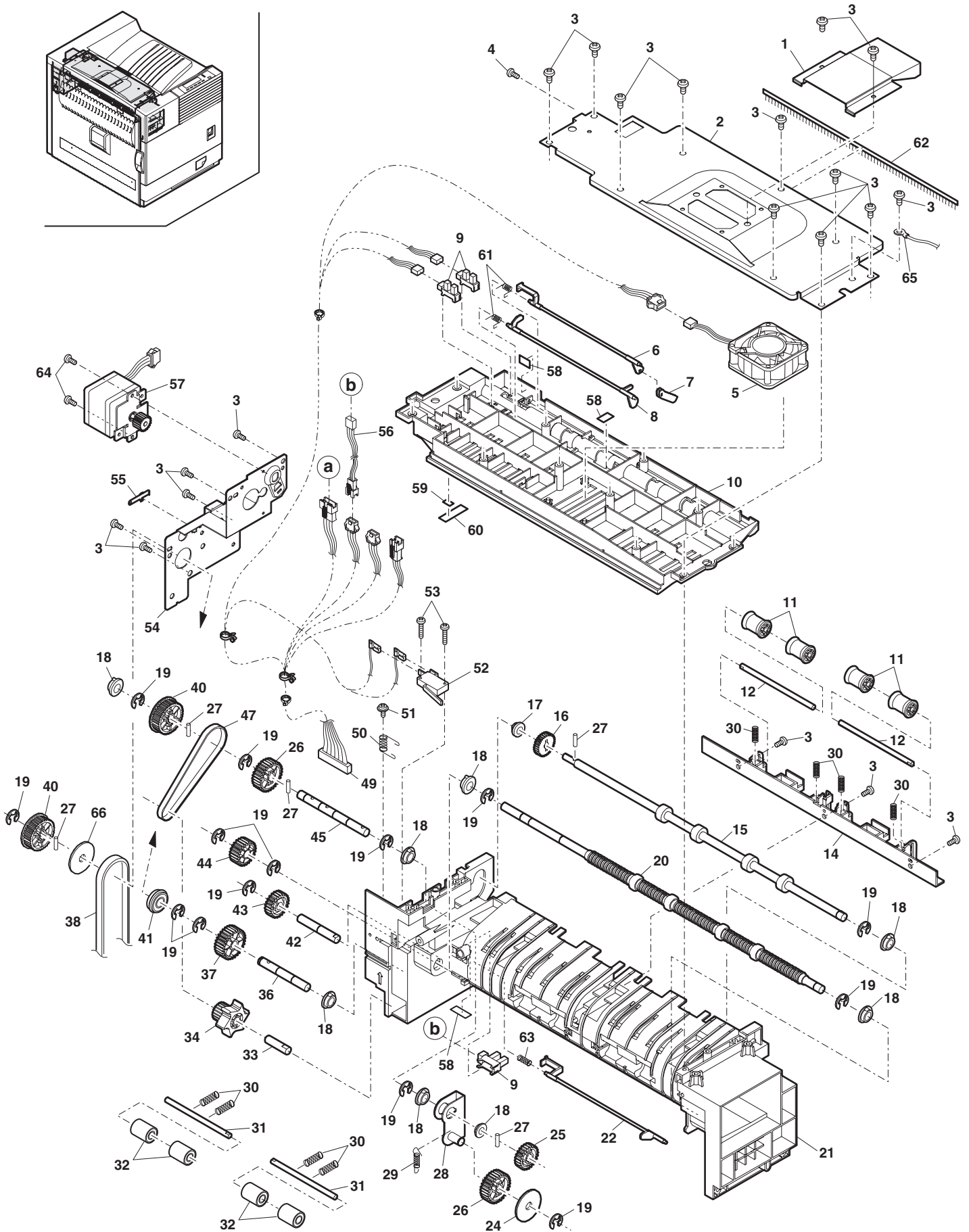
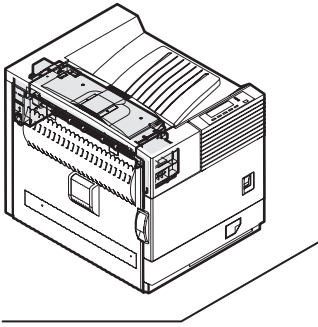
B8300 (6)



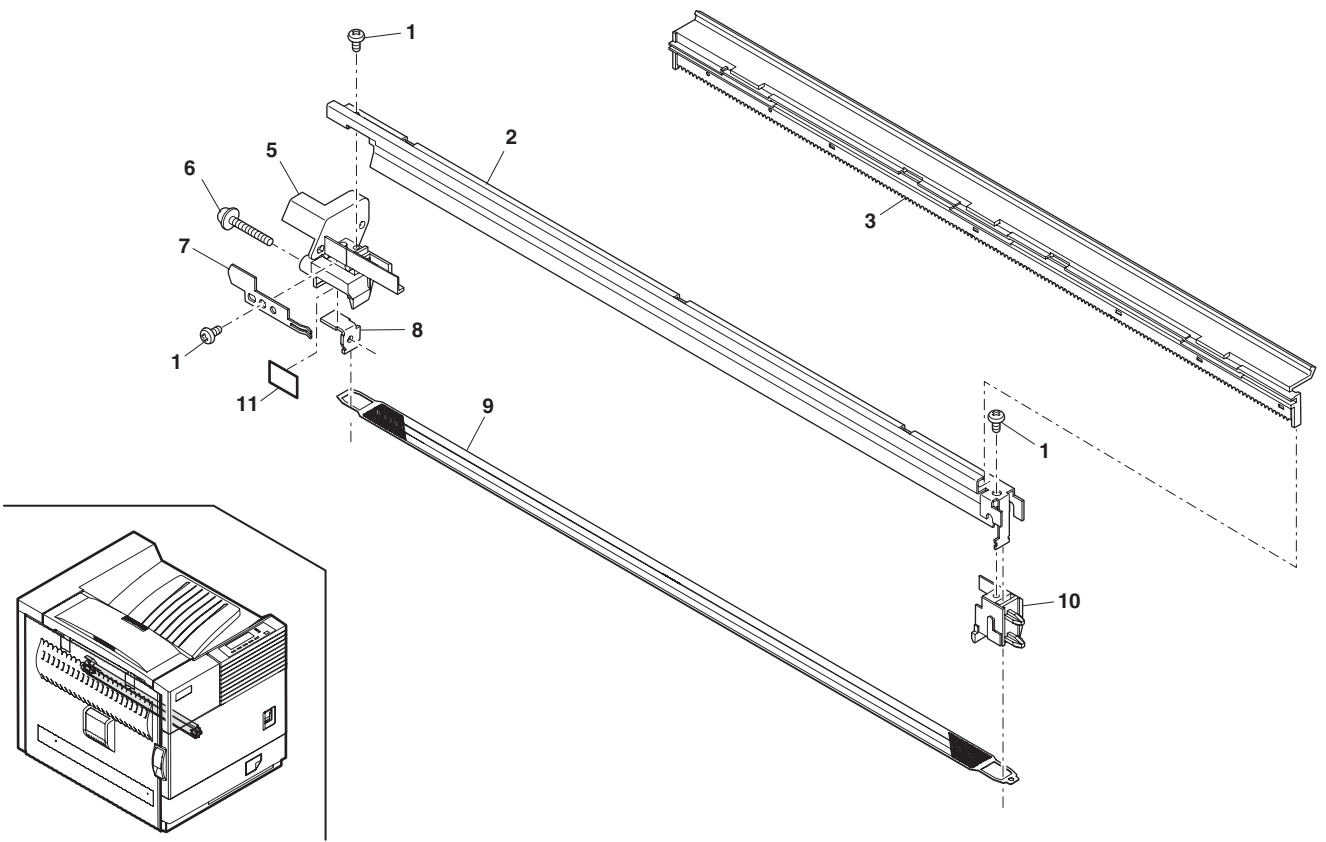
B8300 (7)



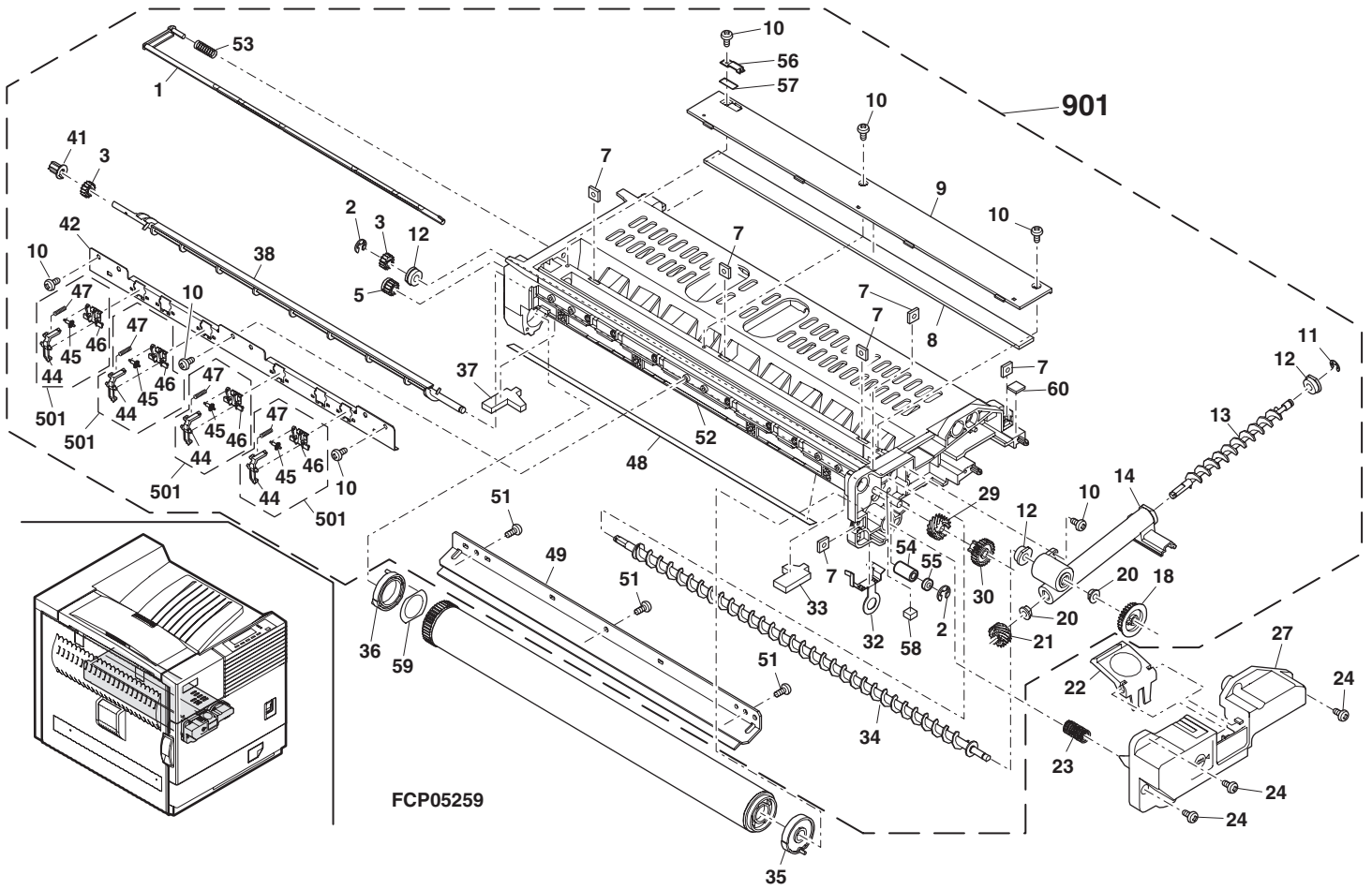
B8300 (8)



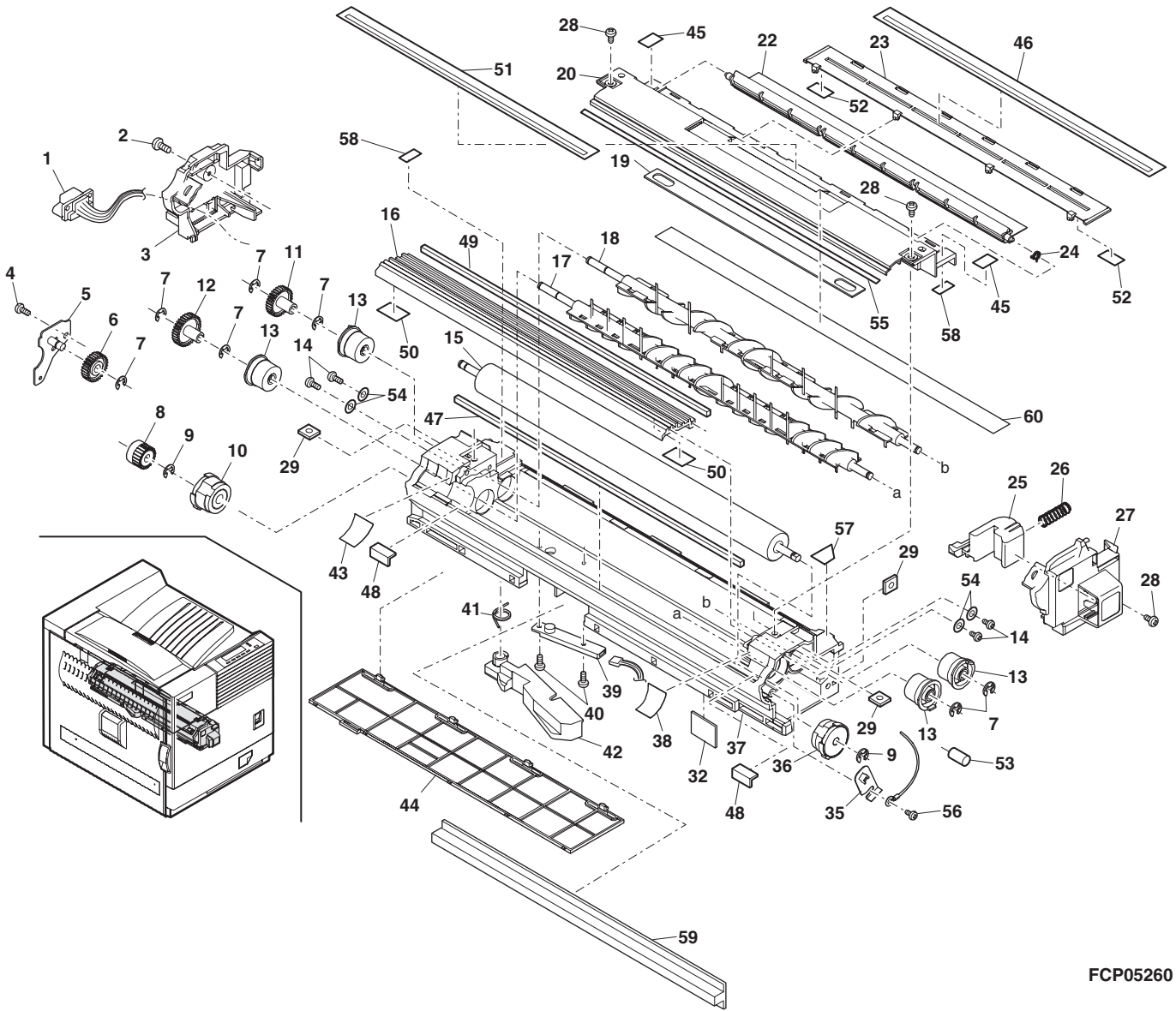
B8300 (9)



B8300 (10)

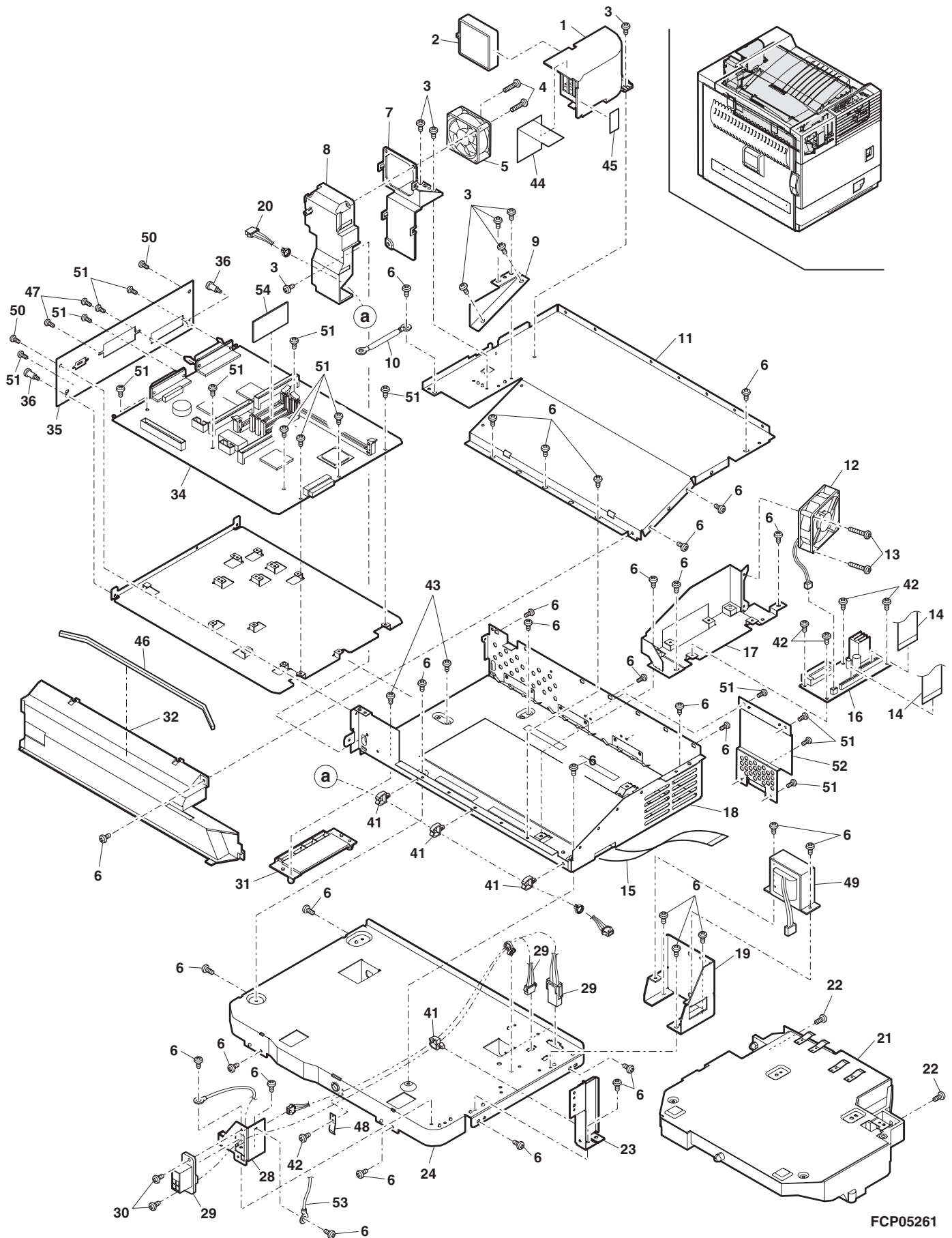


B8300 (11)

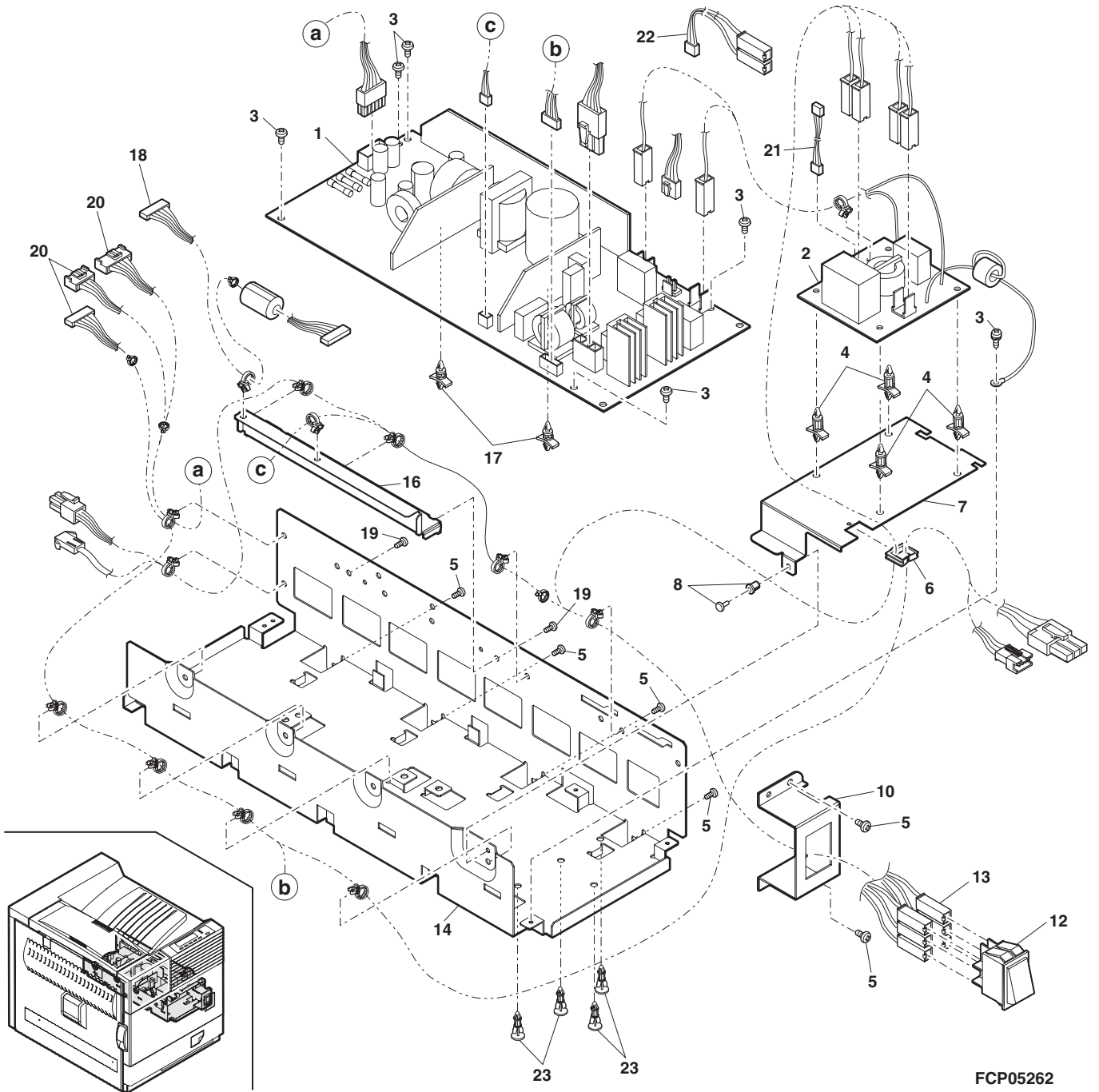


FCP05260

B8300 (12)

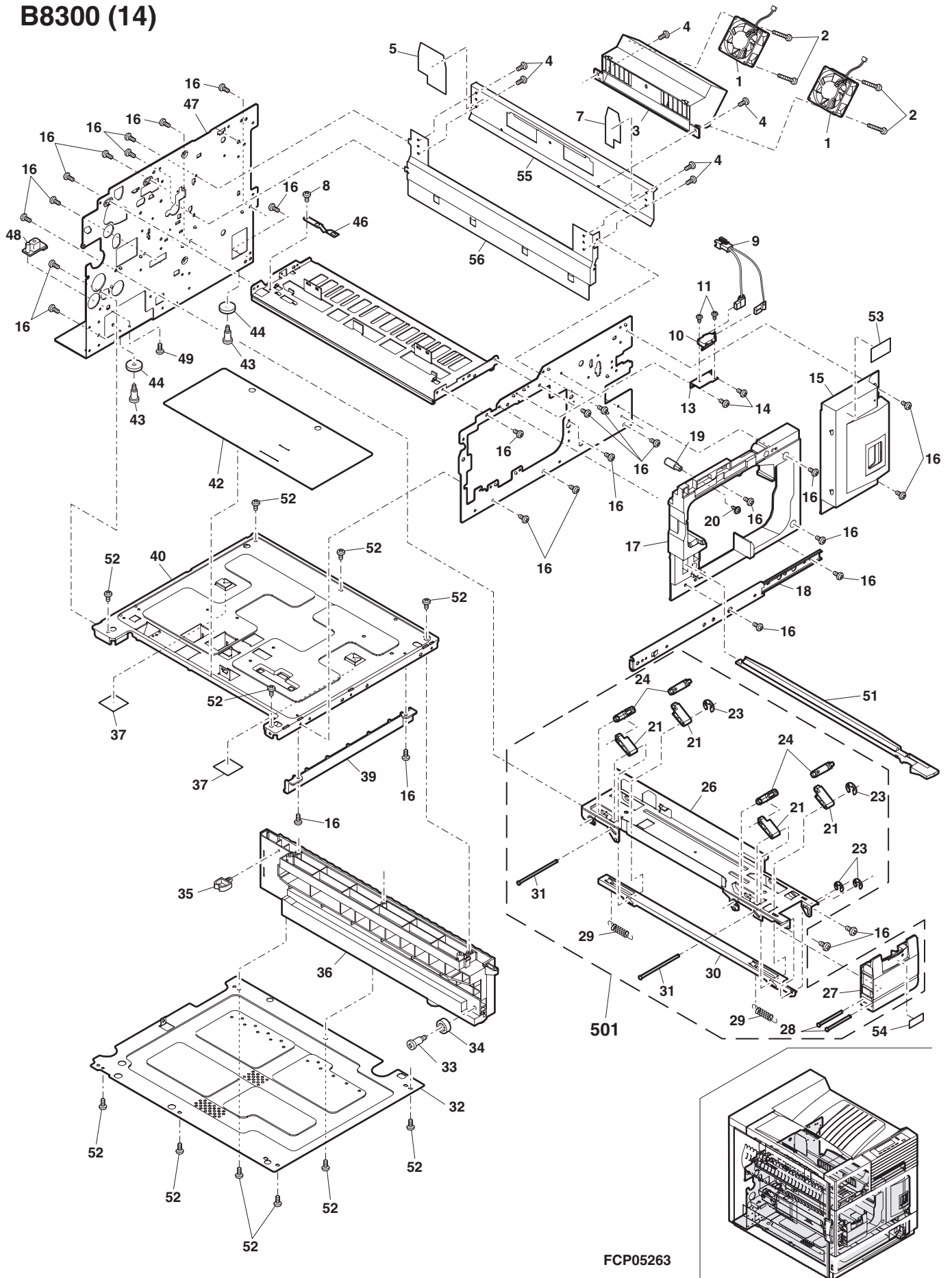


B8300 (13)

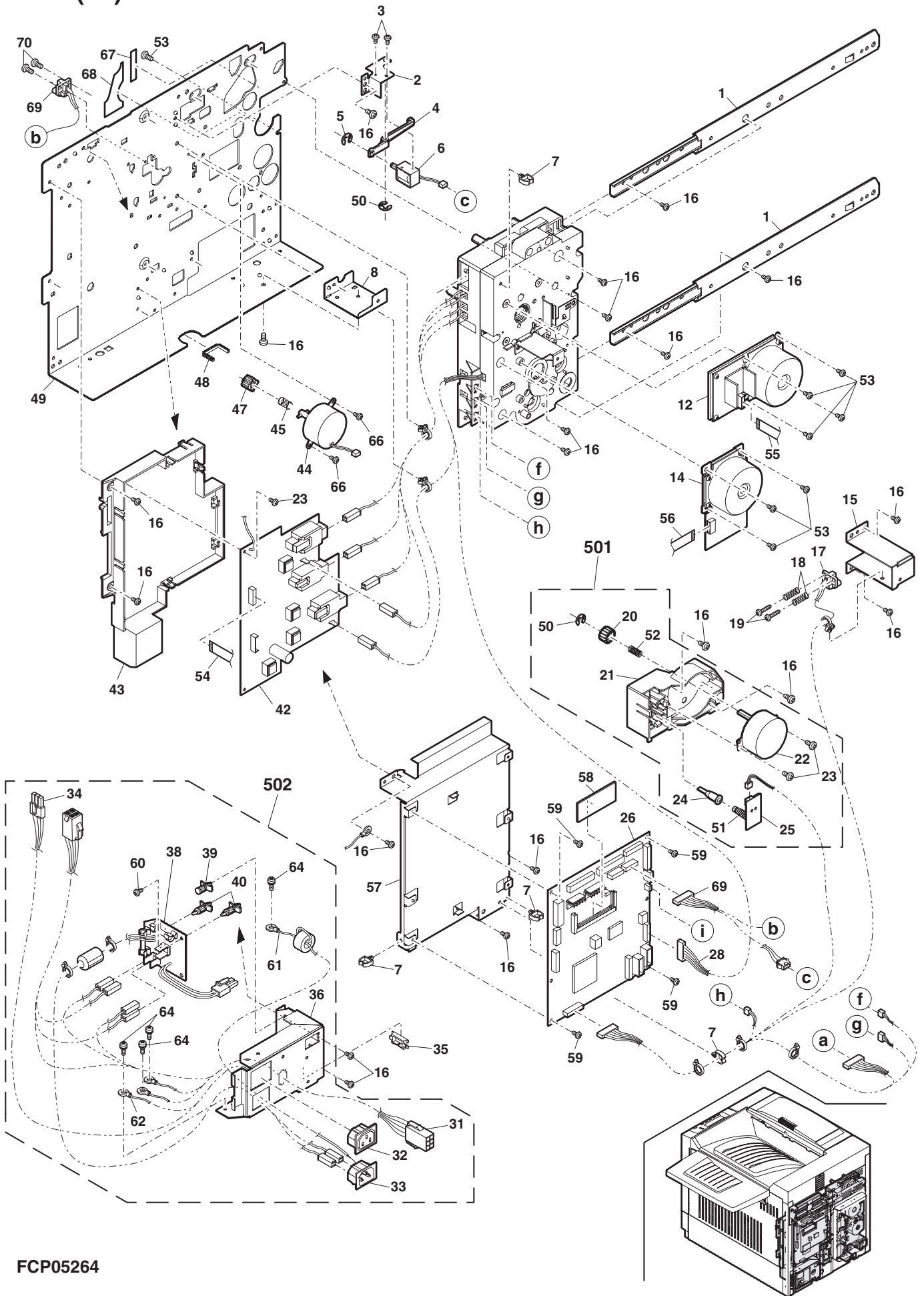


FCP05262

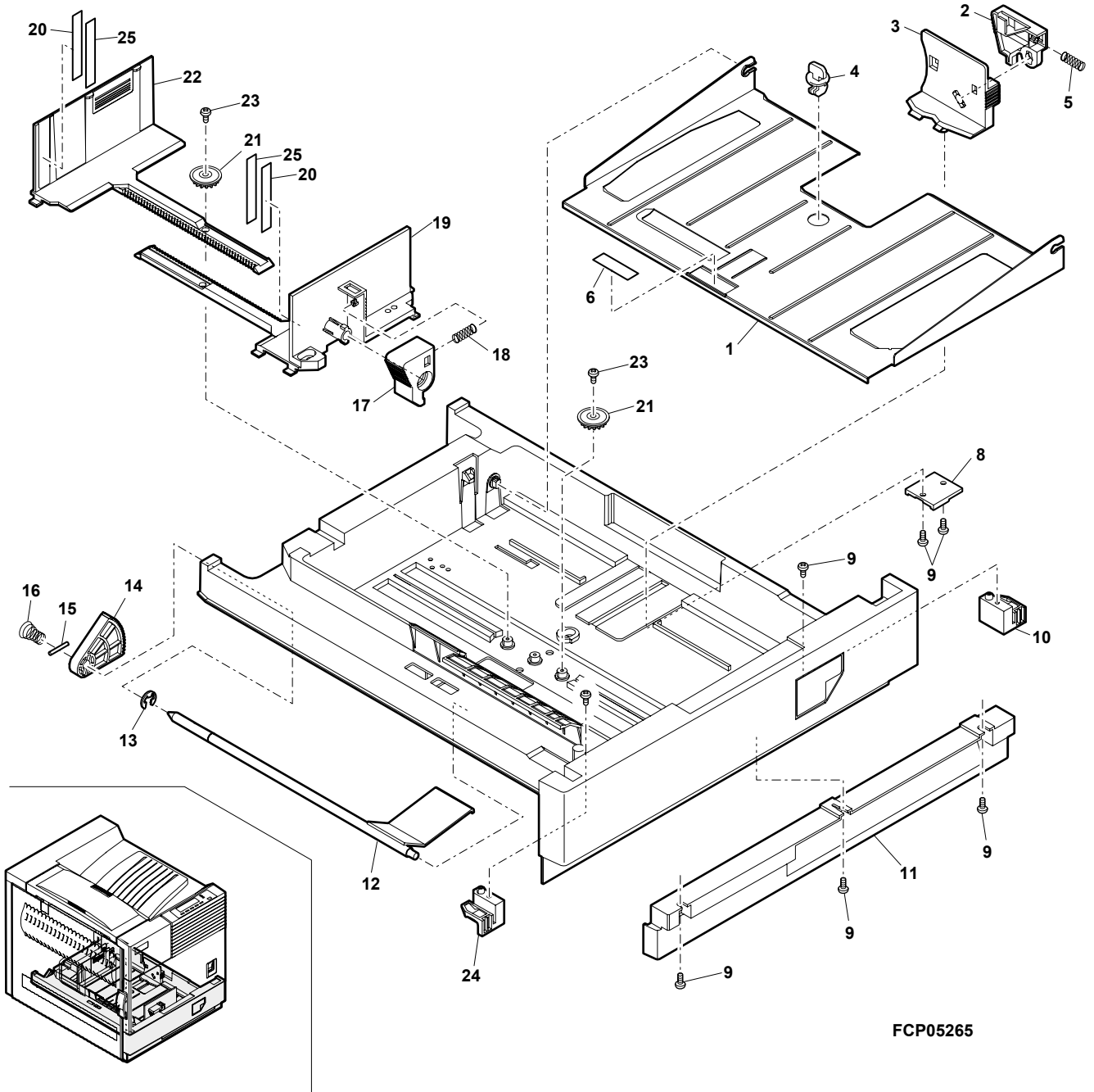
B8300 (14)



B8300 (15)

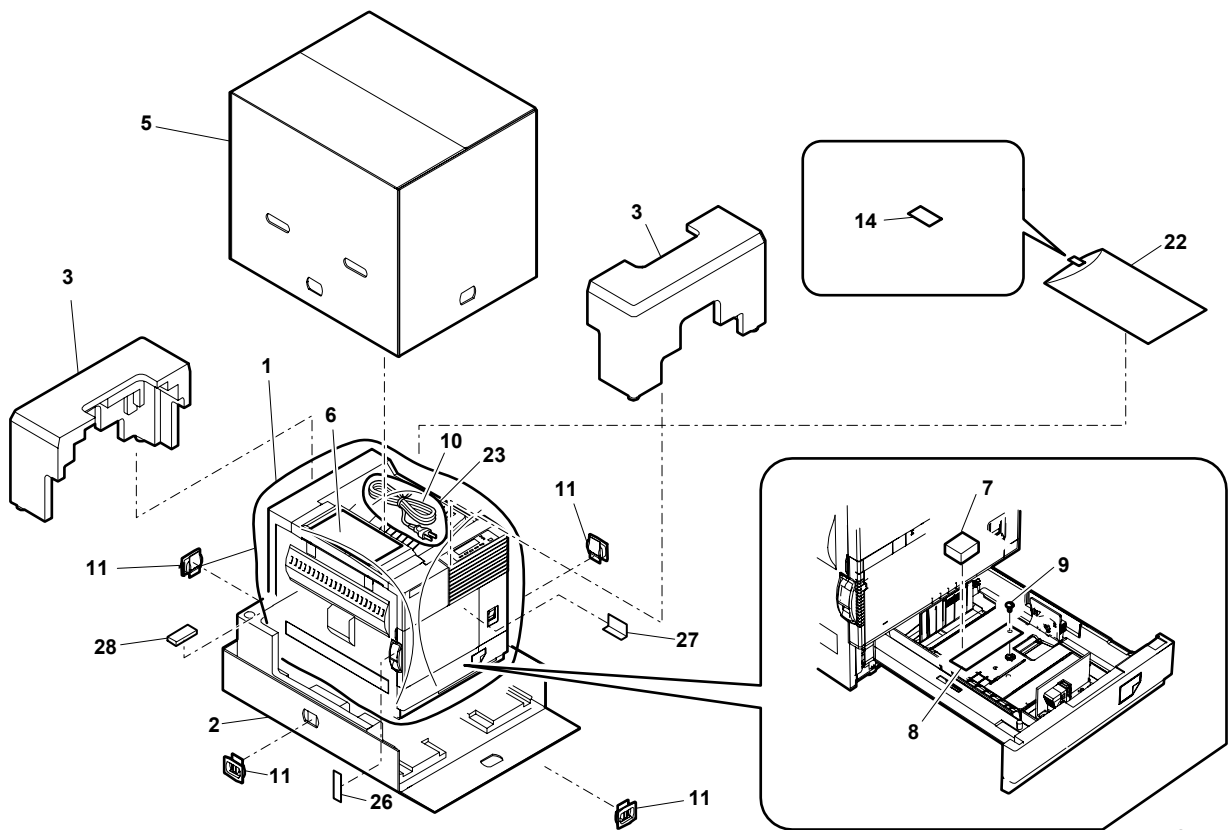


B8300 (16)



FCP05265

B8300 (17)



FCP05266