

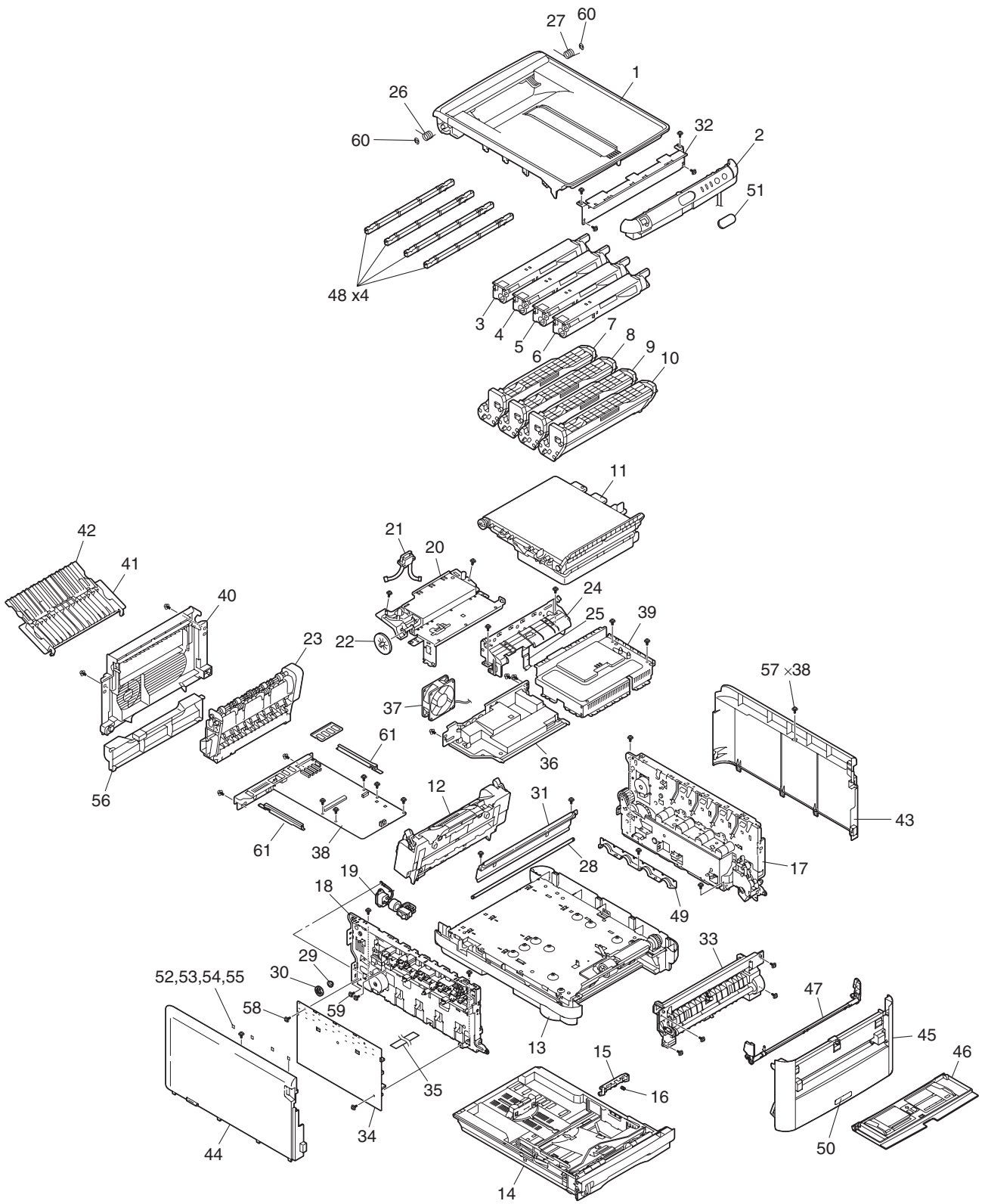
OEL Disassembly Drawing

C3300/C3400/C3450

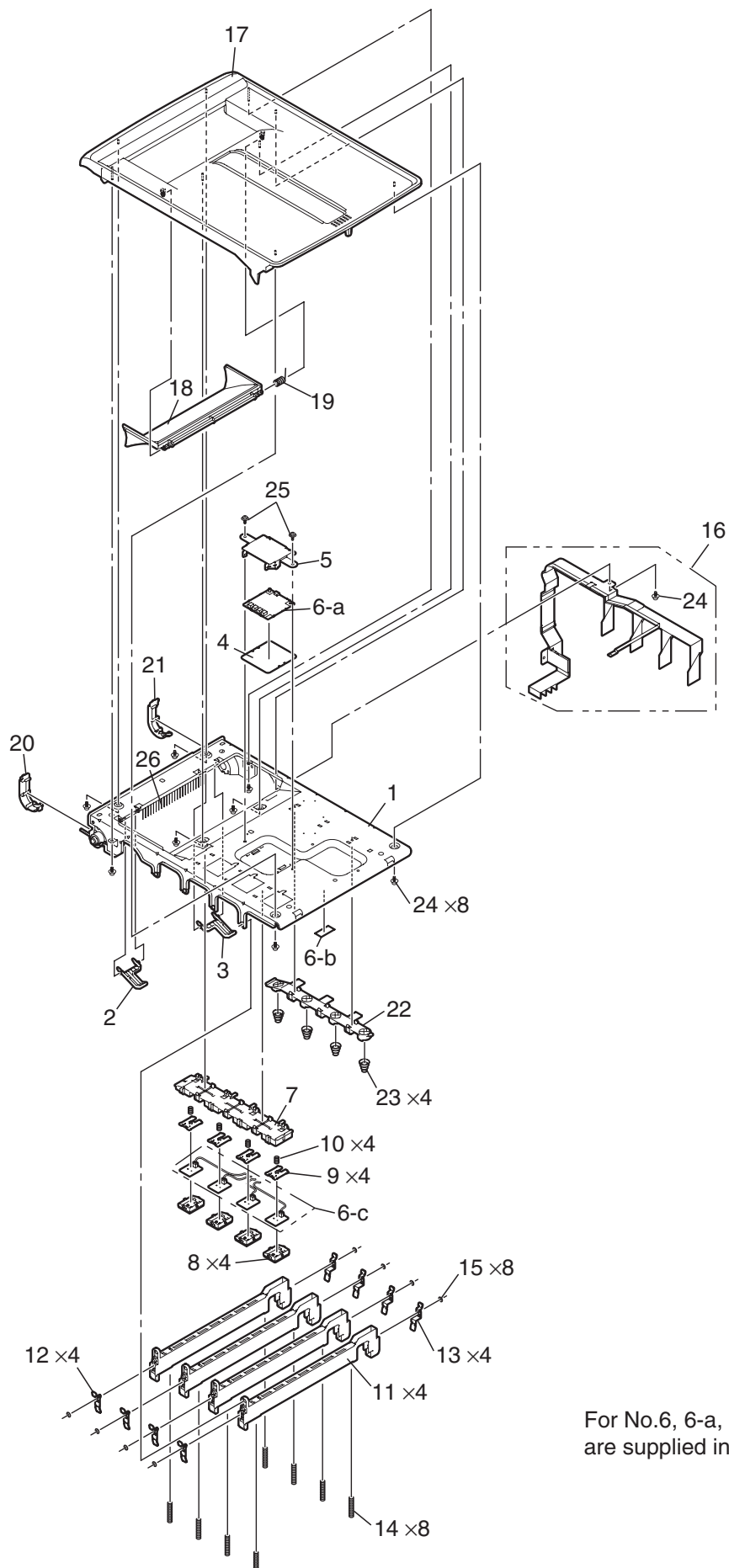


Revision 4

Parts Layout (C3400/3300/3450)

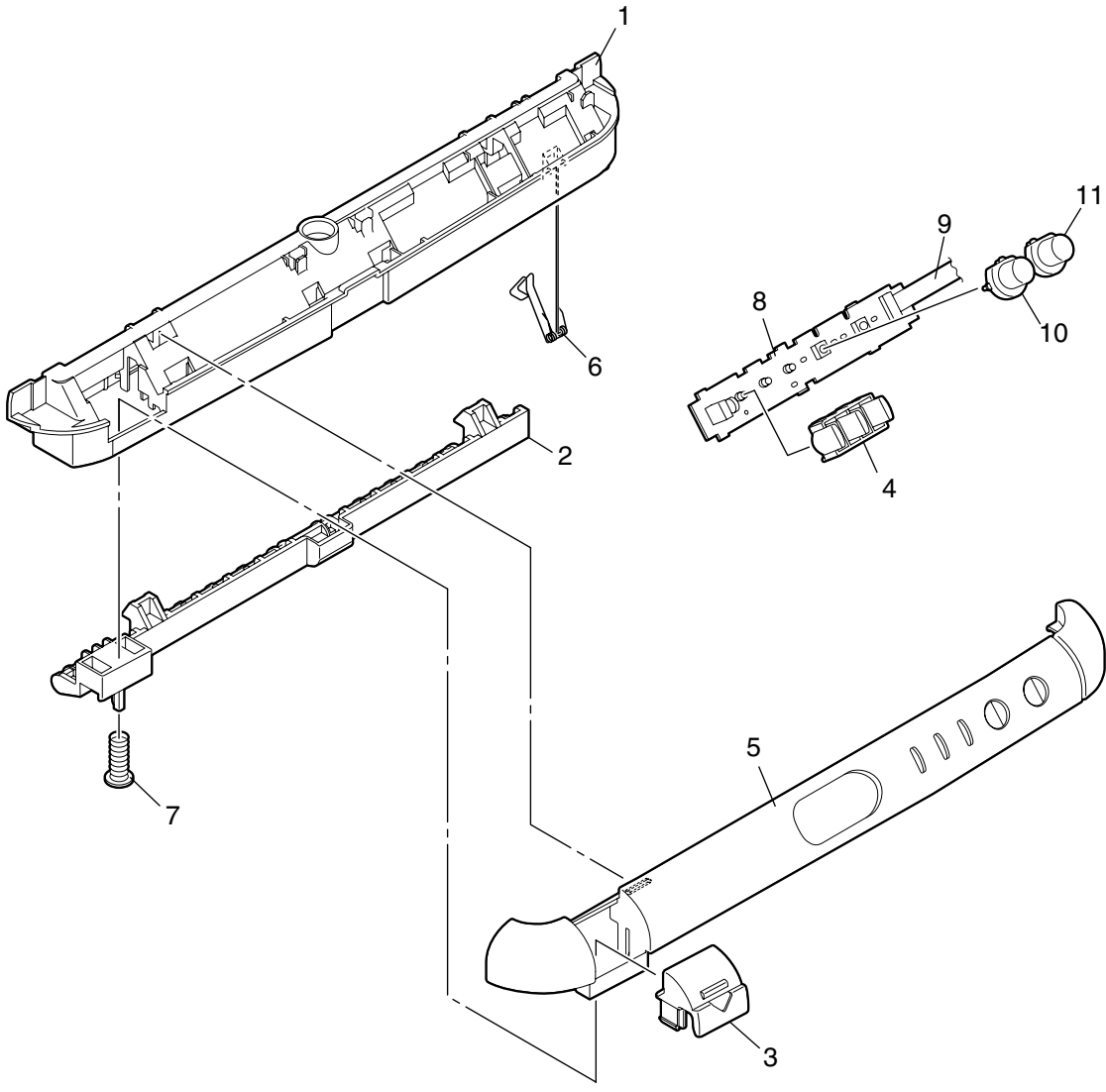


Top-Cover-Assy



For No.6, 6-a, 6-b and 6-c are supplied in one set.

Control-Panel-Assy



Feeder_Unit

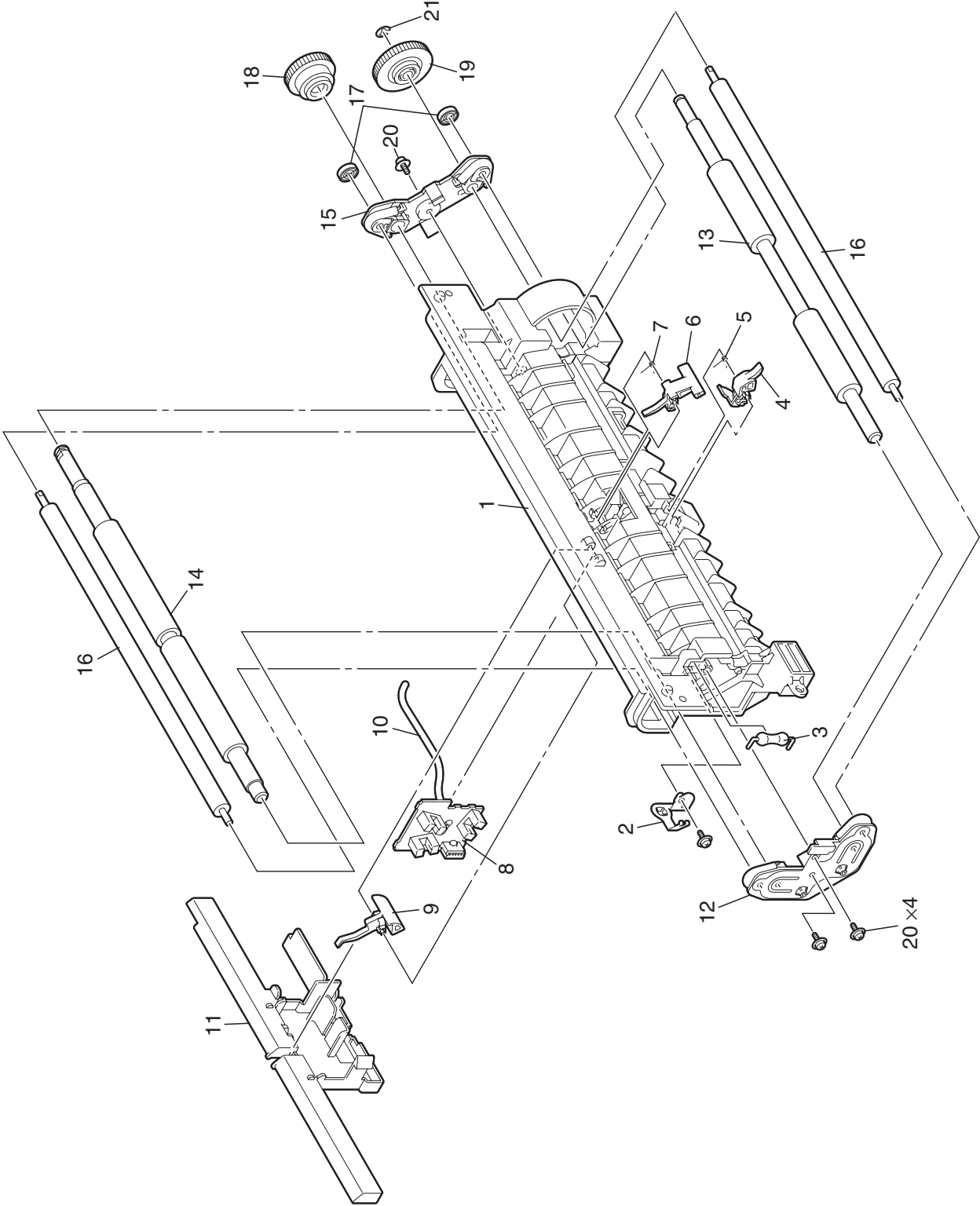


Plate Assy-Side_R

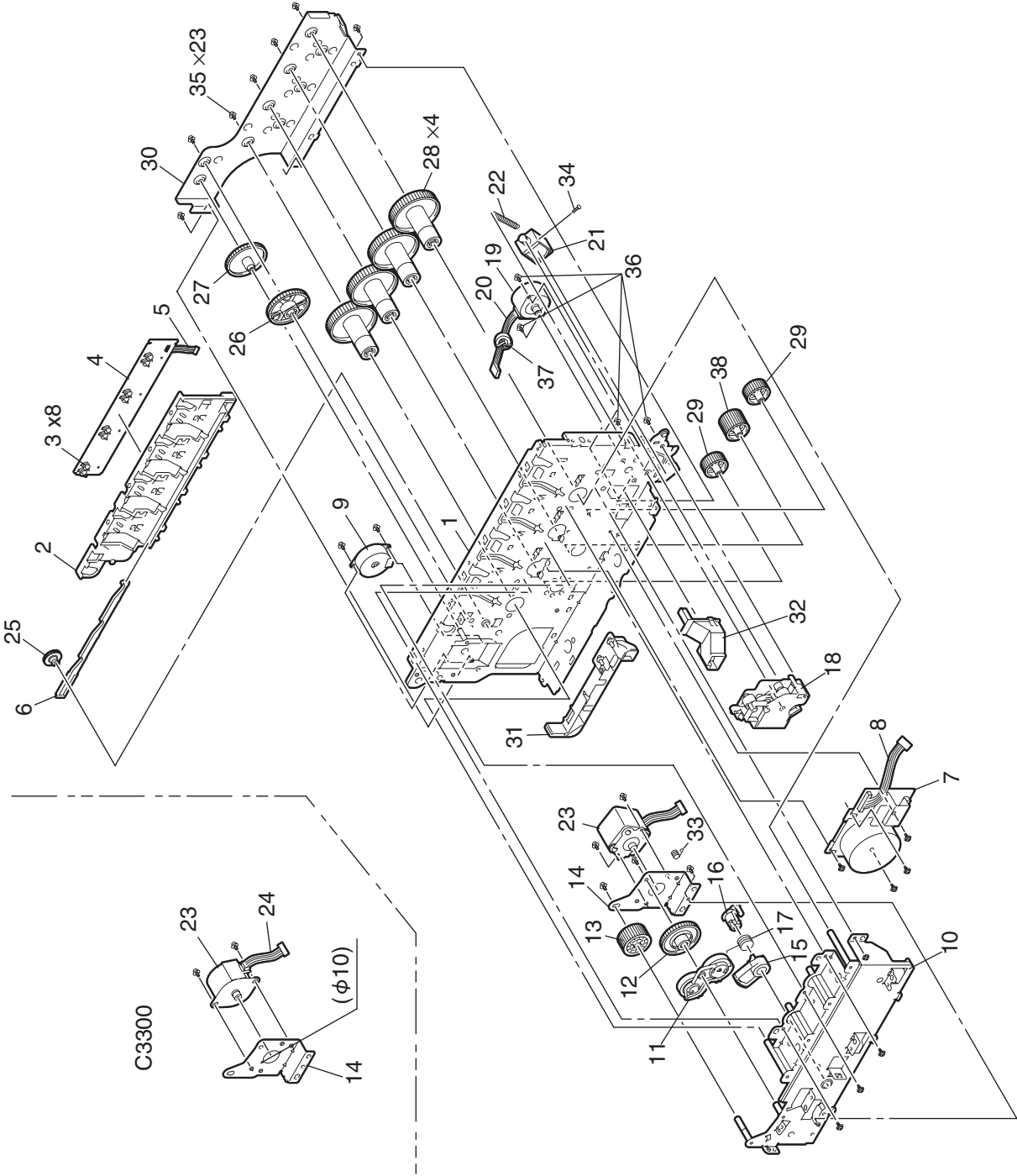
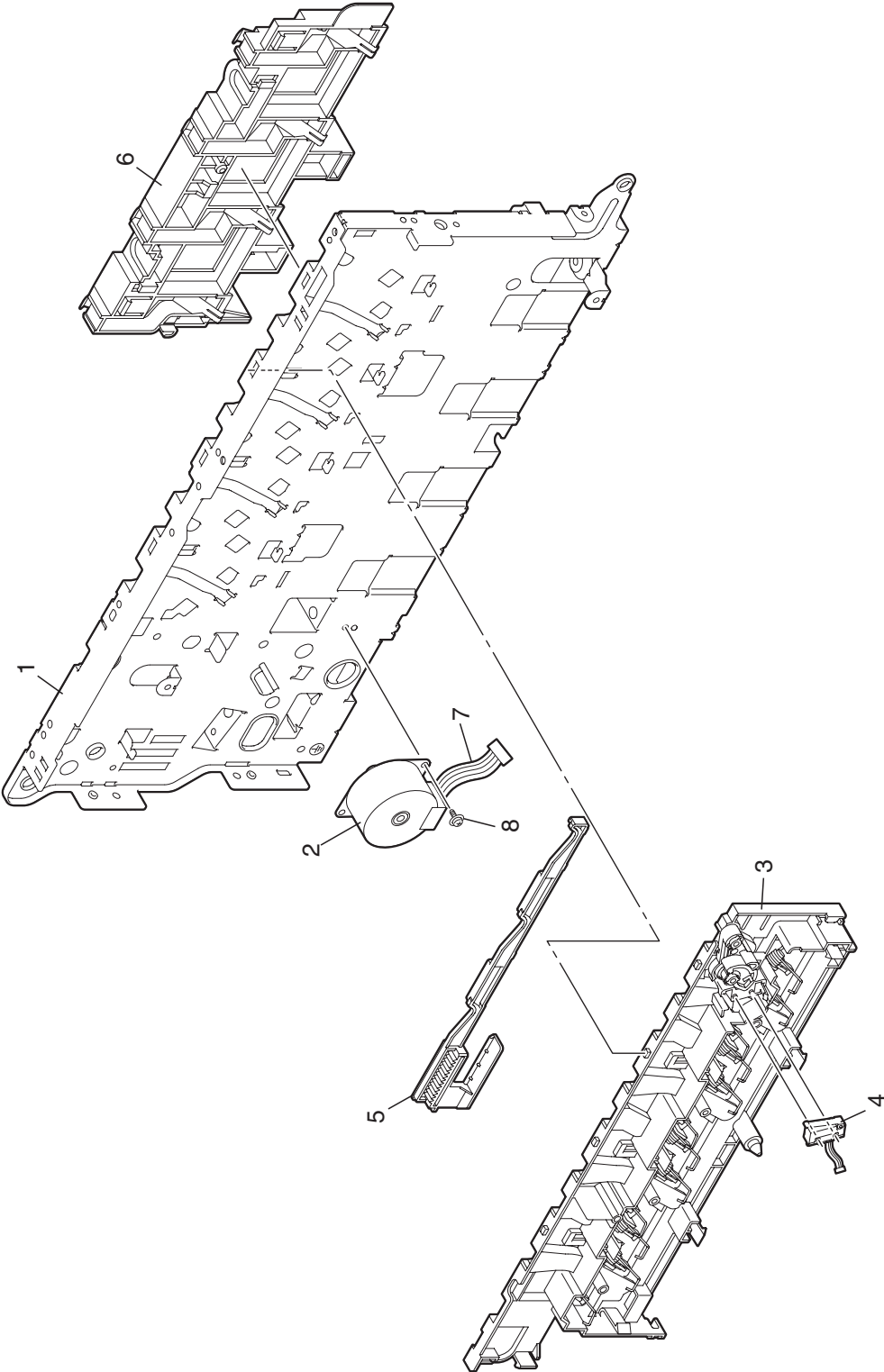
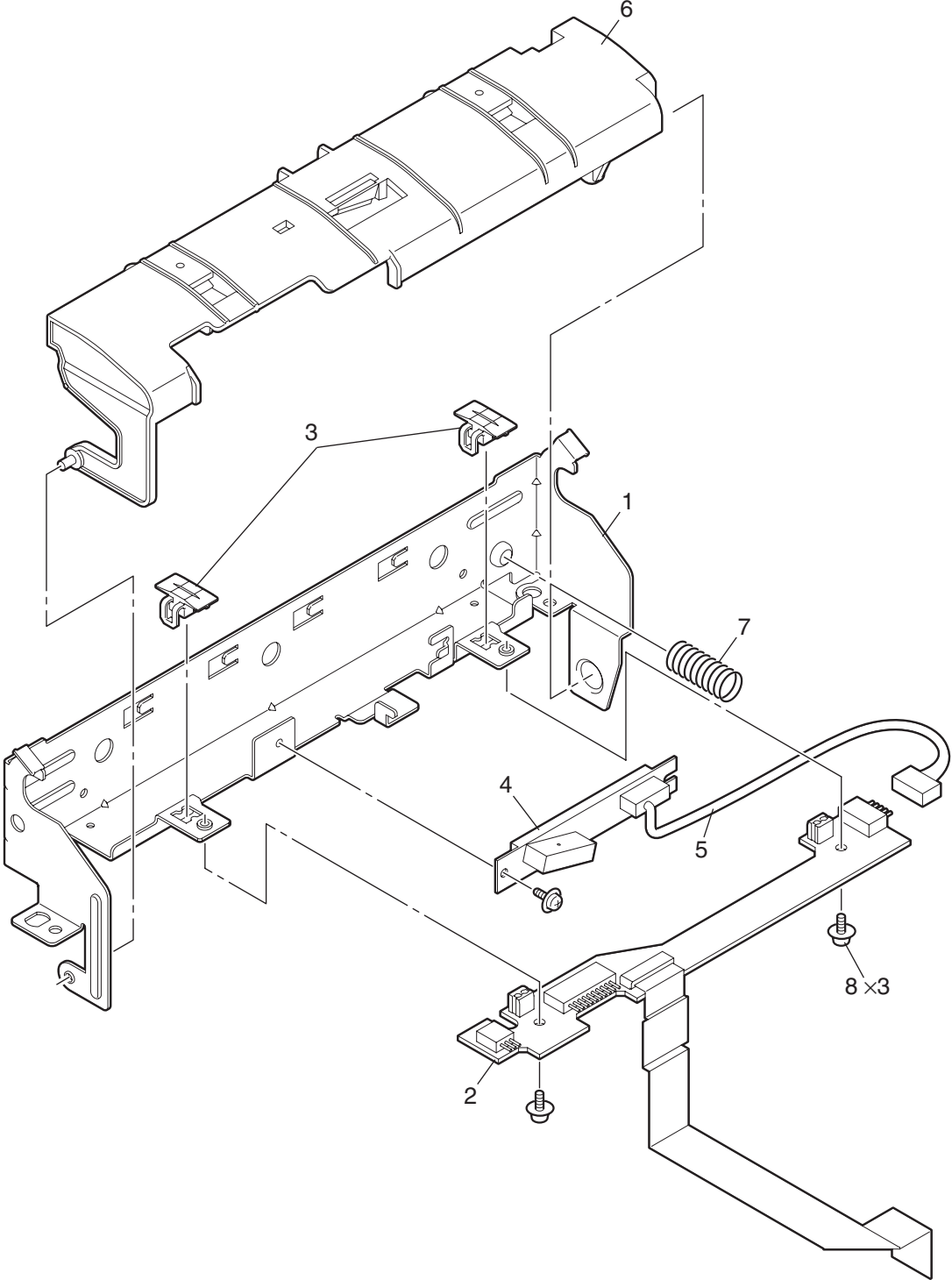


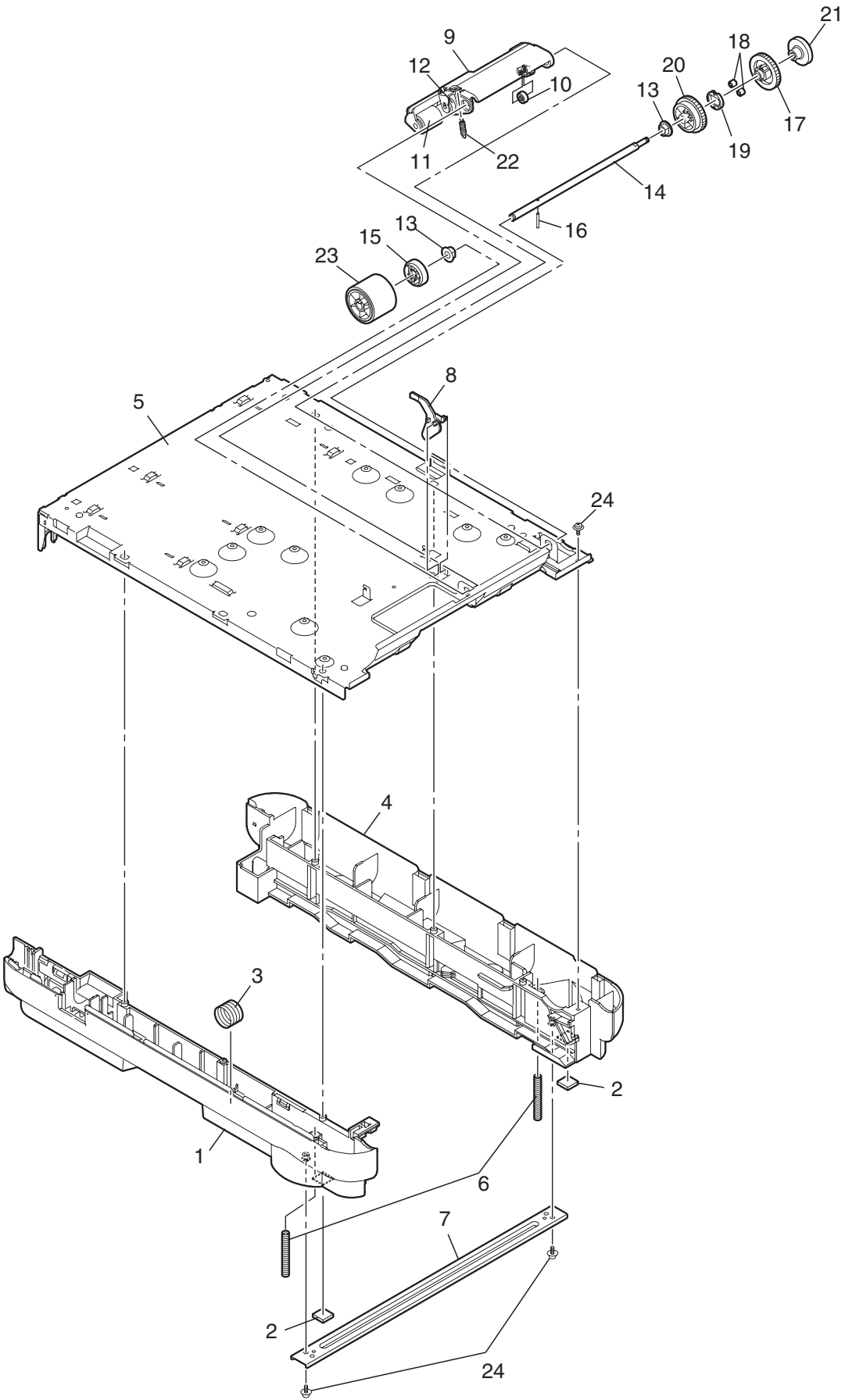
Plate Assy-Side_L



Sensor_Assy-Color_Regist



Base-Assy



Eject-Assy

