

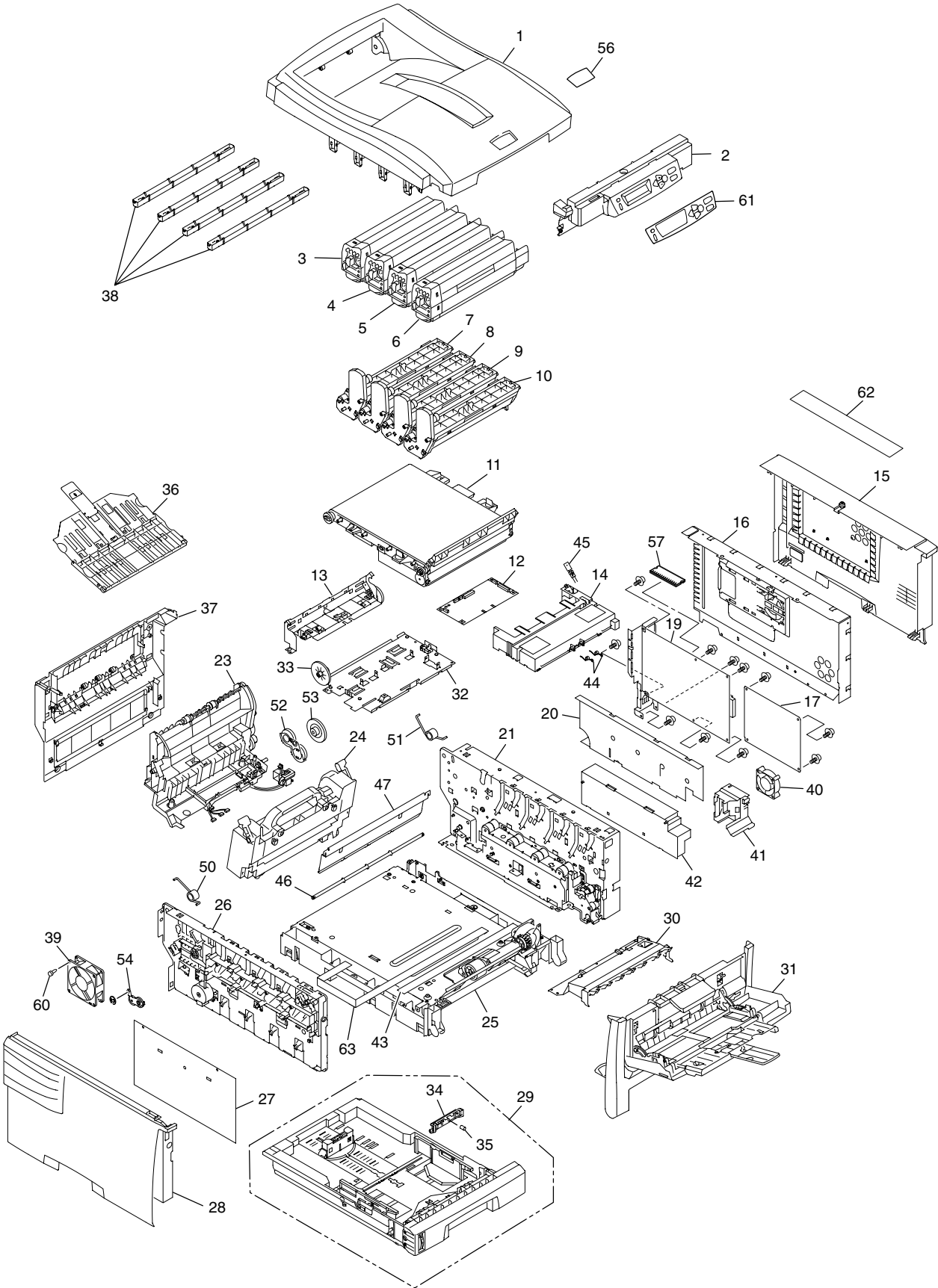
OEL Spare Parts Drawing

C3100/C3200/C3200n/
C5200/C5250/C5400/C5450/C5540MFP
ES1624/ES1624MFP

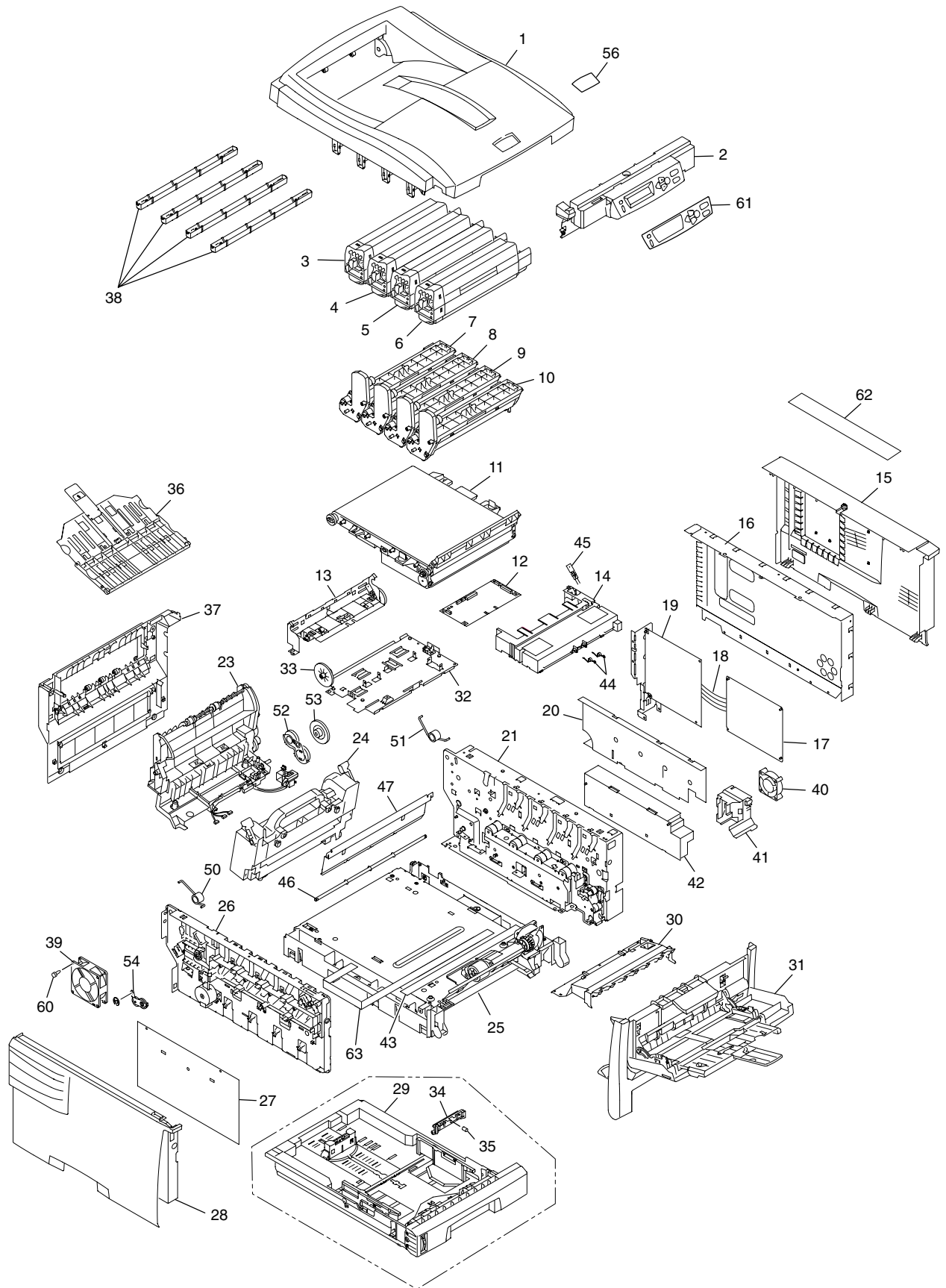


Revision 4

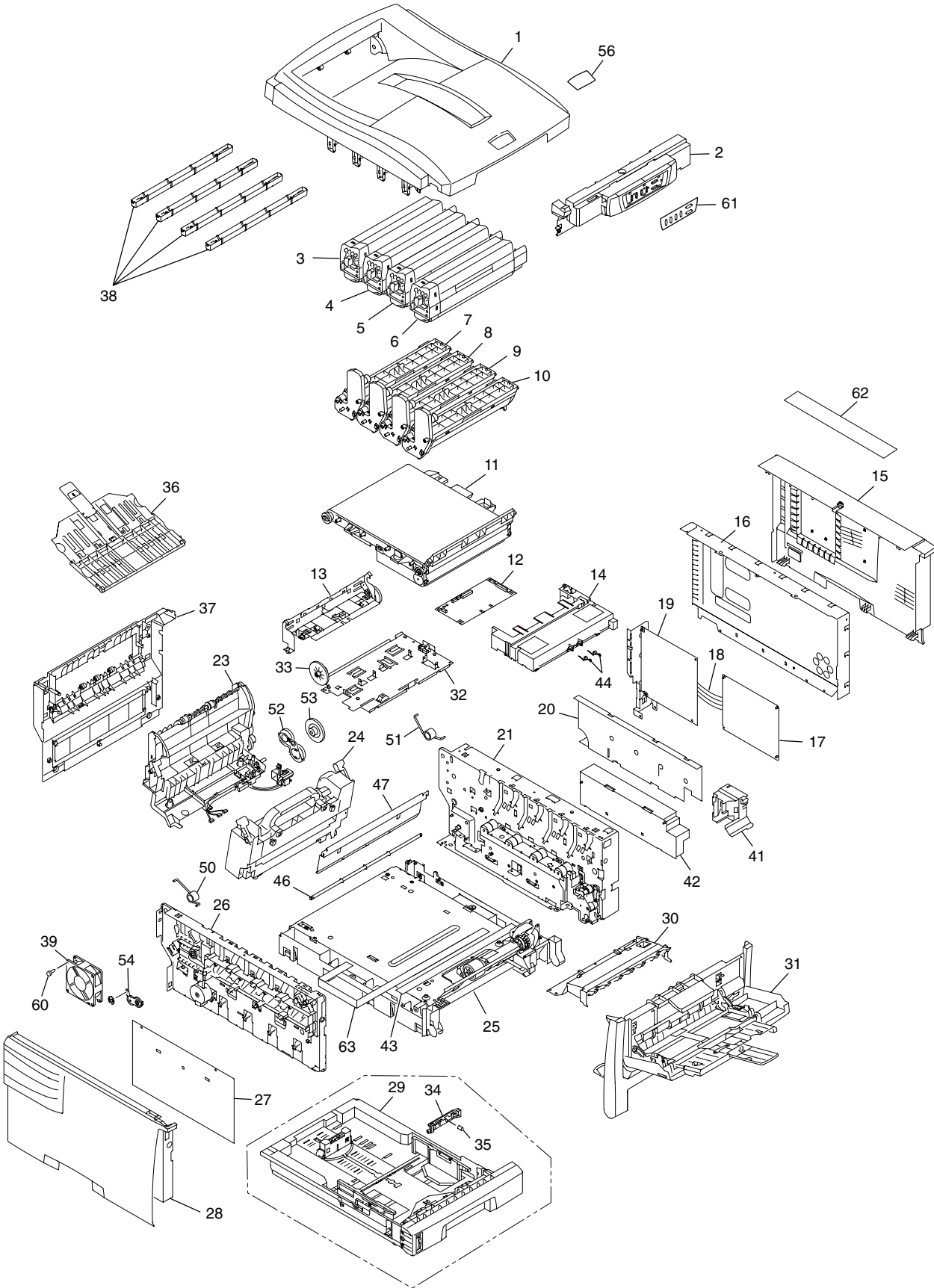
Parts Layout (C5450/C5400/ML5400)



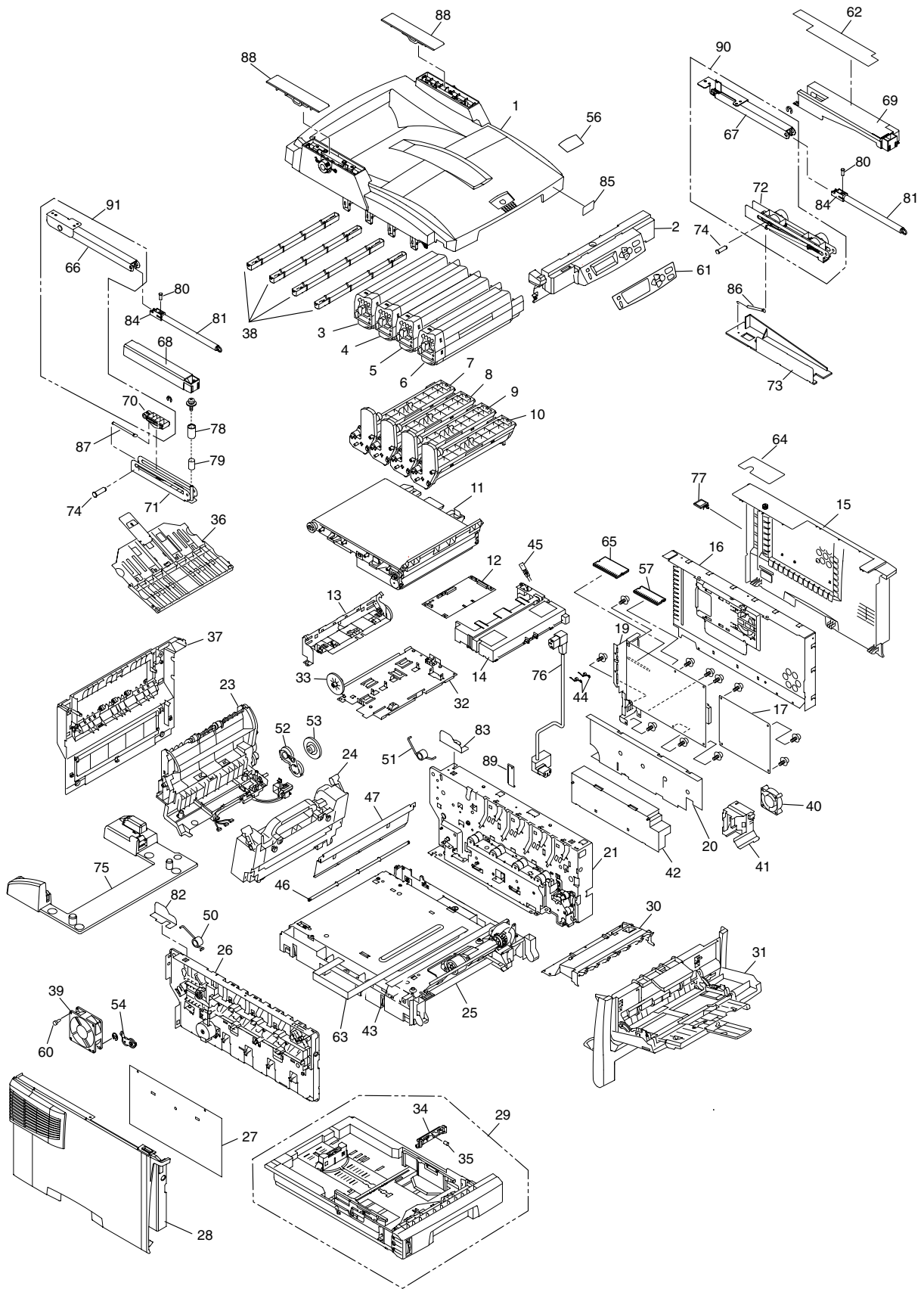
Parts Layout (C5250/C5200n/C5200/C5150/C3200n/ML5200)



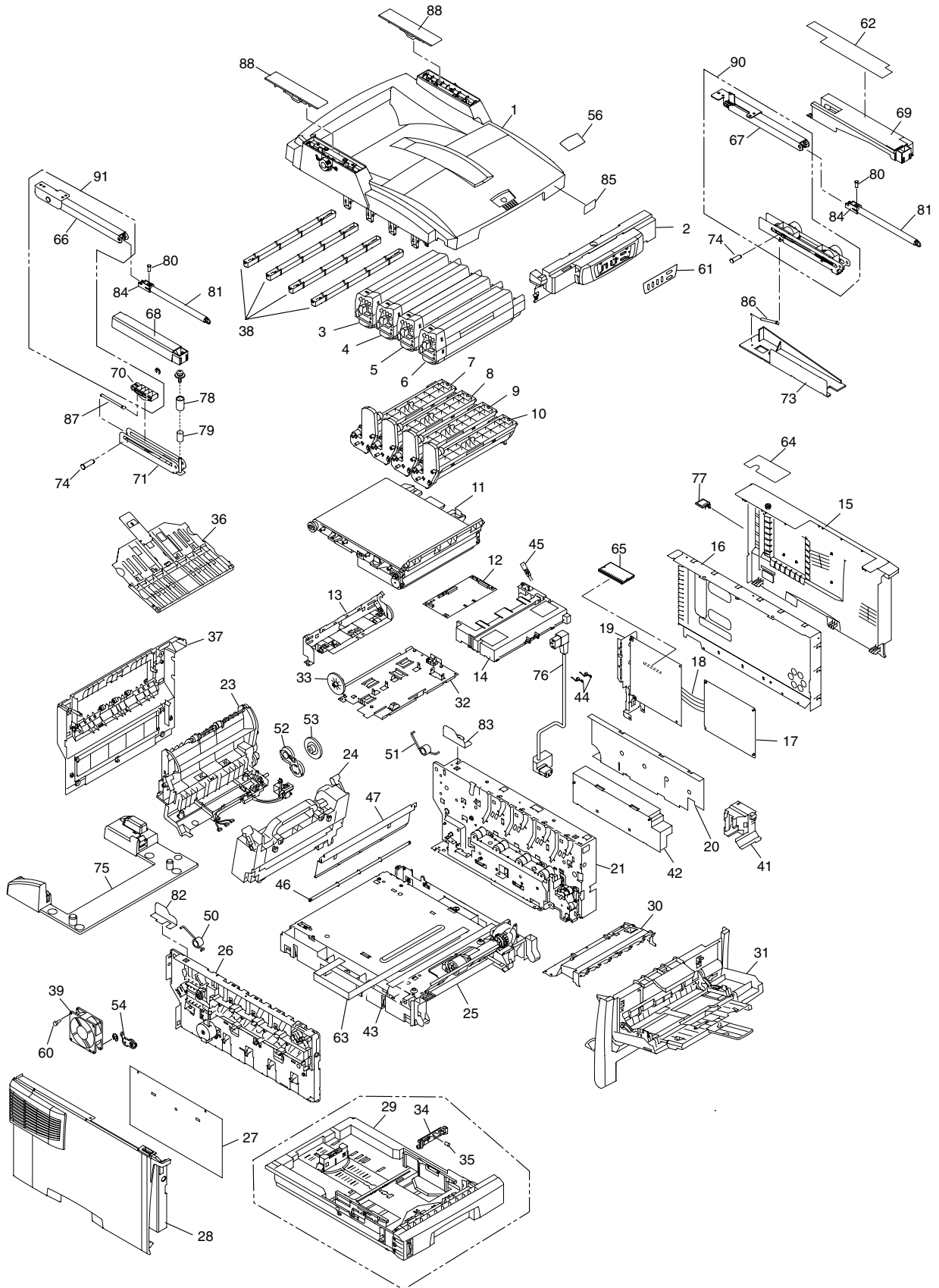
Parts Layout (C3200/C3100/ML3100)



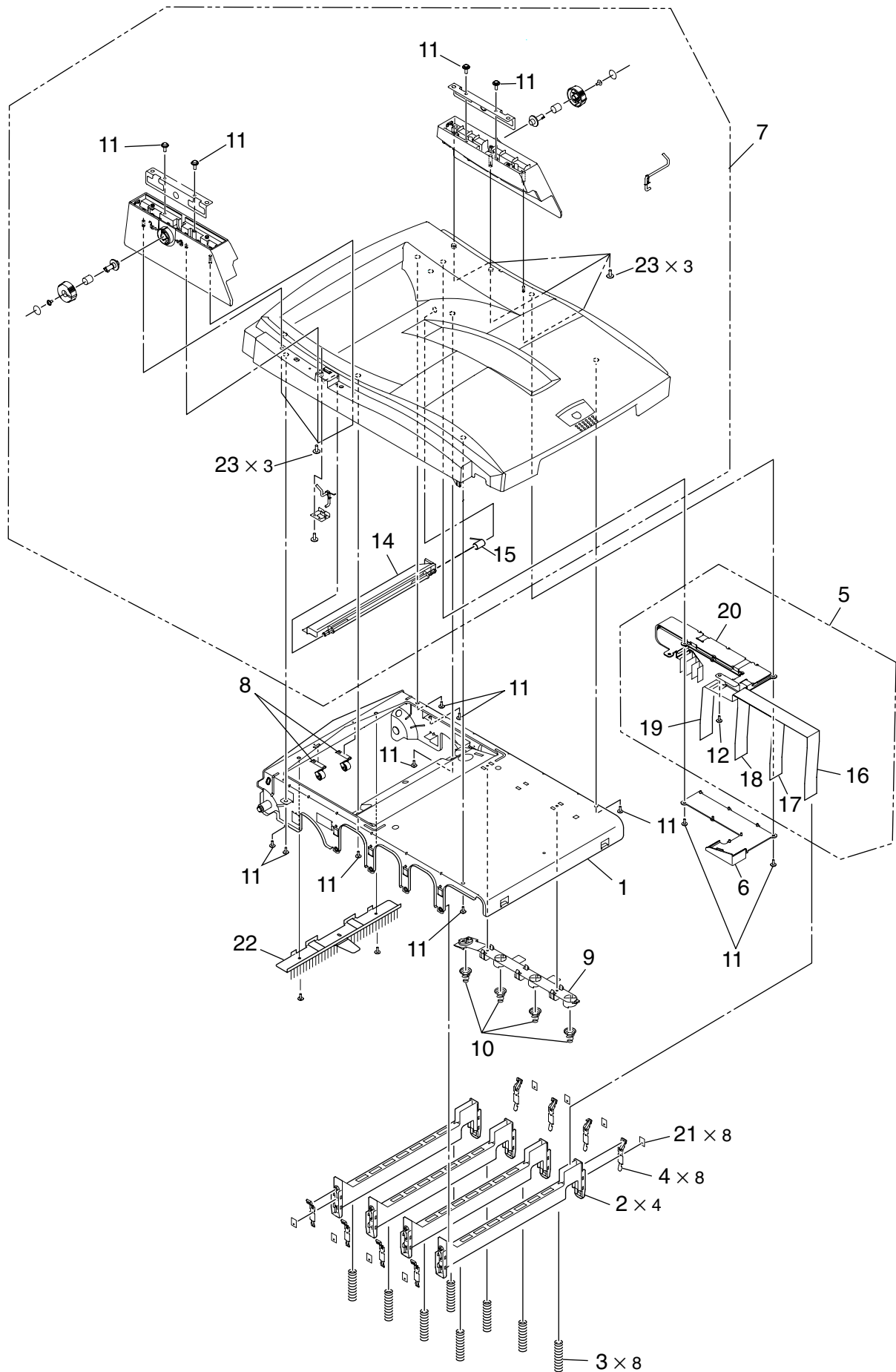
Parts Layout (C5540)



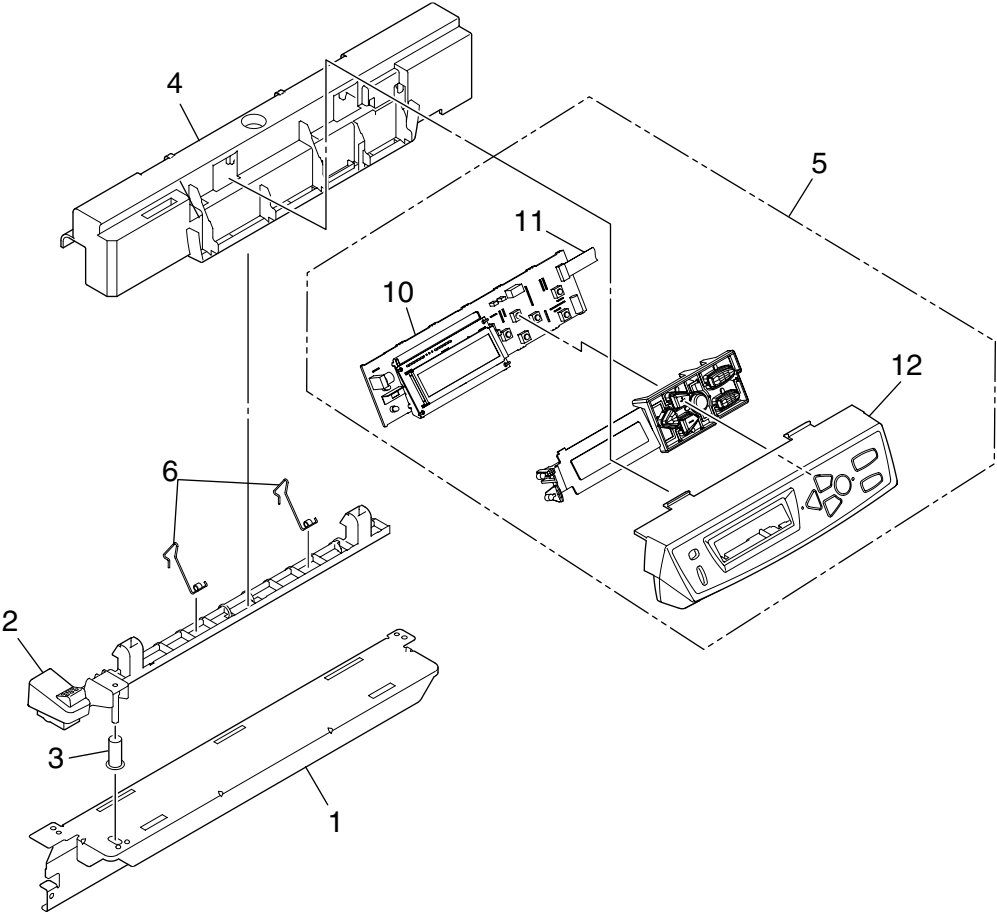
Parts Layout (C5510)



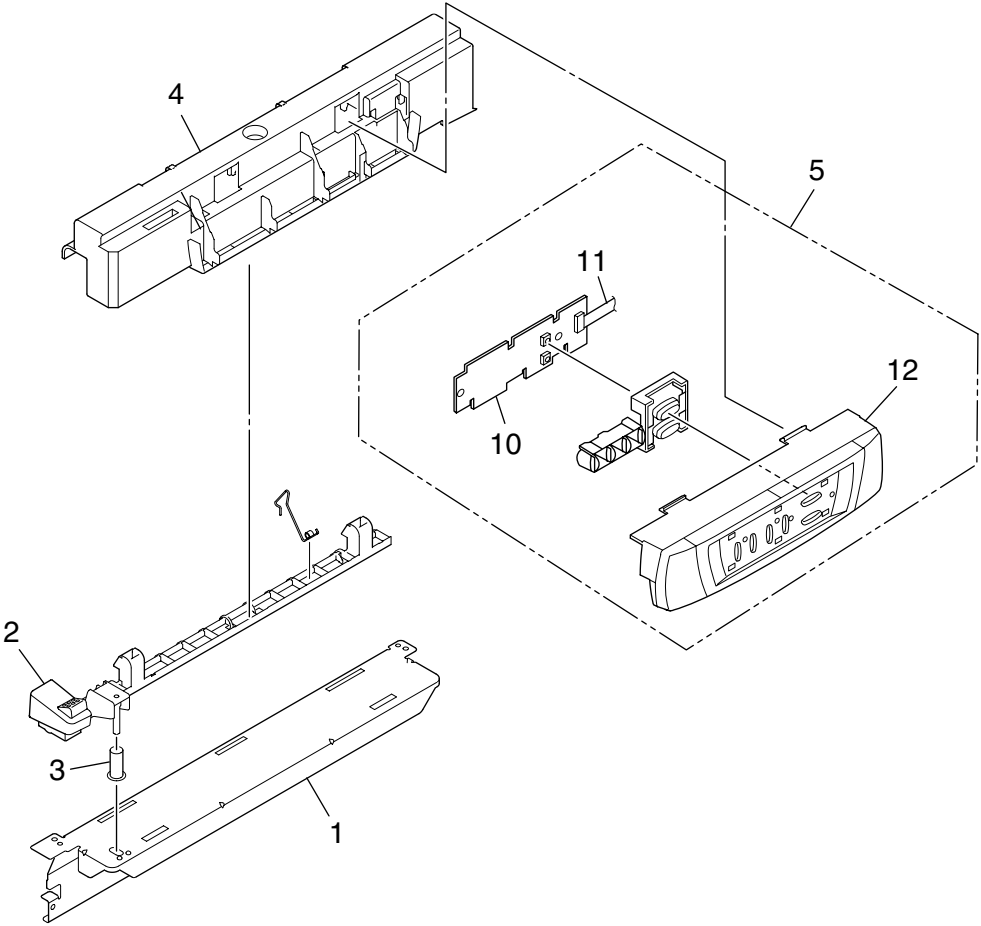
Top_Cover_Assy(C5510/C5540)



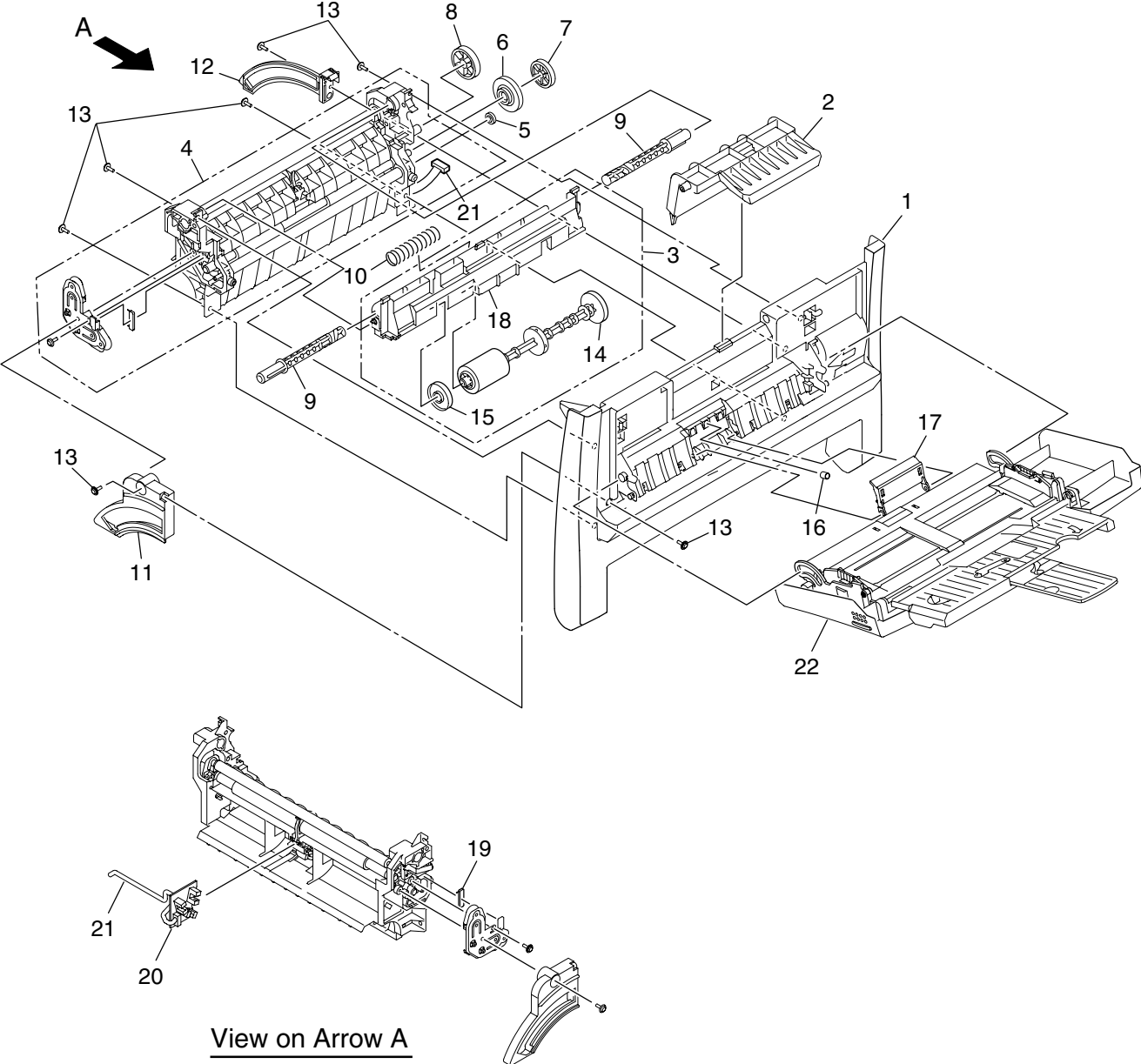
Control_Panel_Assy (C5450/C5400/C5250/C5200n/C5200/C5150/C3200n/C5540/ML5400/ML5200)



Control_Panel_Assy (C3200/C3100/ML3100/C5510)



Feeder_Unit



Cover_Assy-Hopping

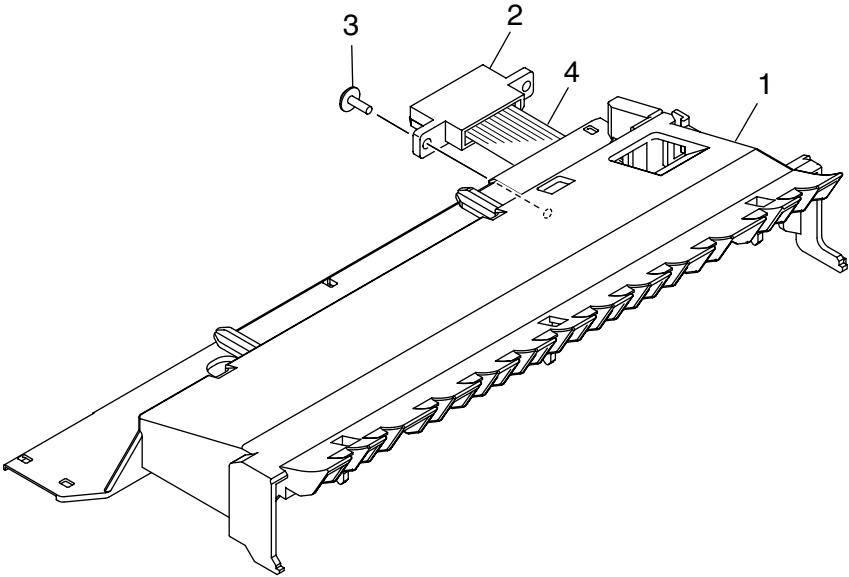


Plate Assy-Side_R

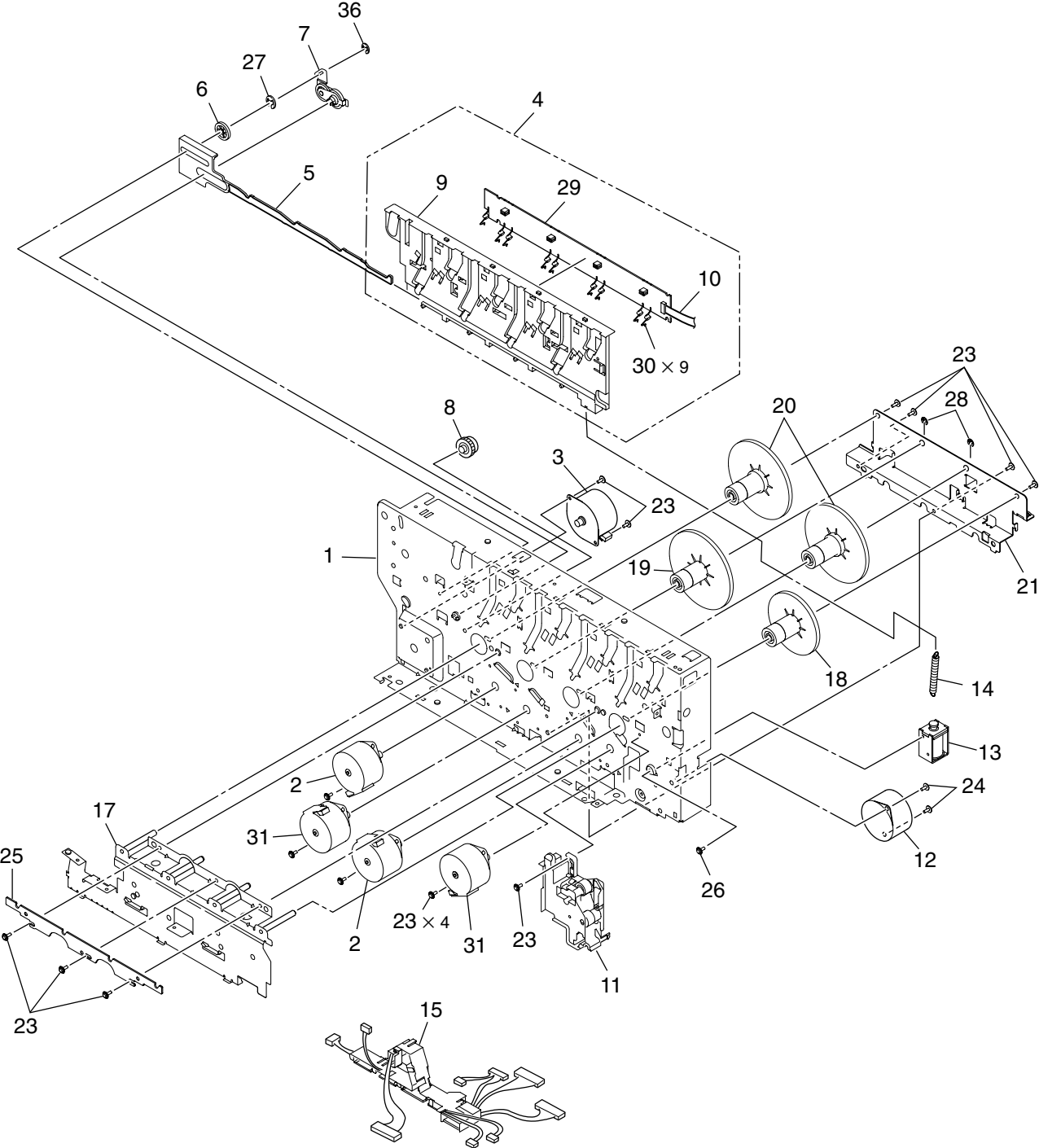
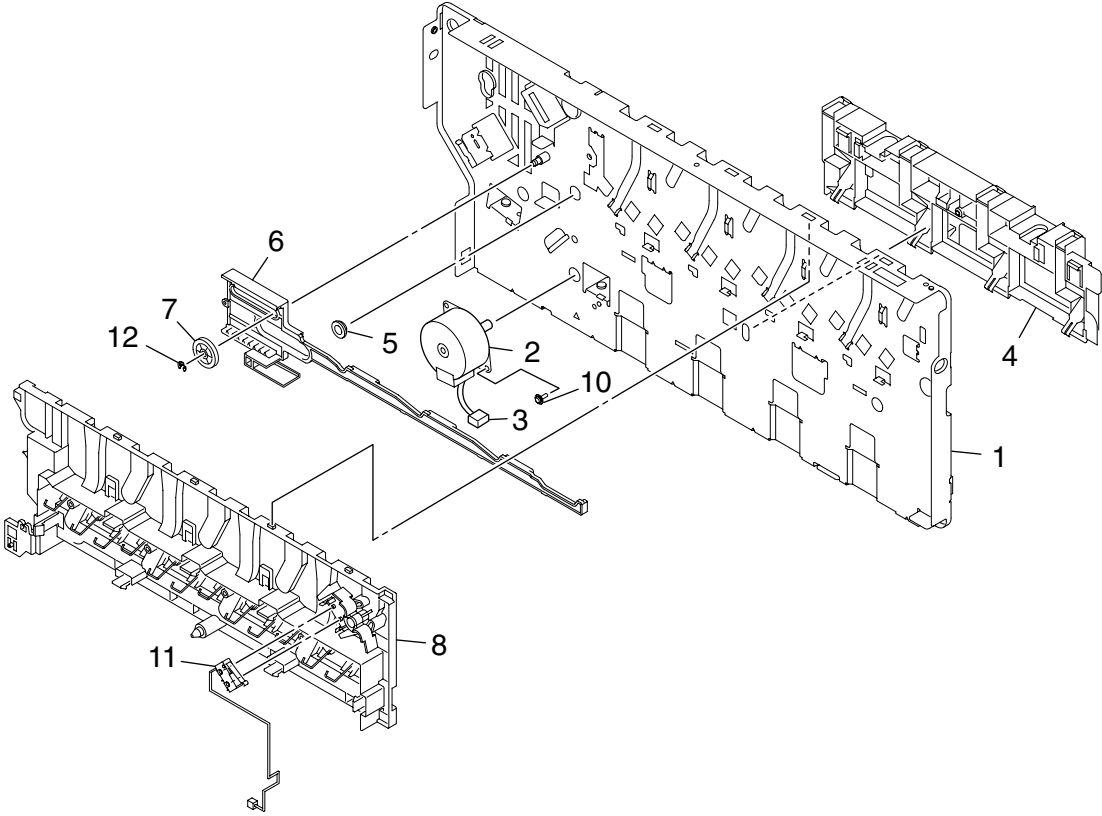


Plate Assy-Side_L



Plate_Assy-Shield (C5450/C5400/ML5400/C5540)

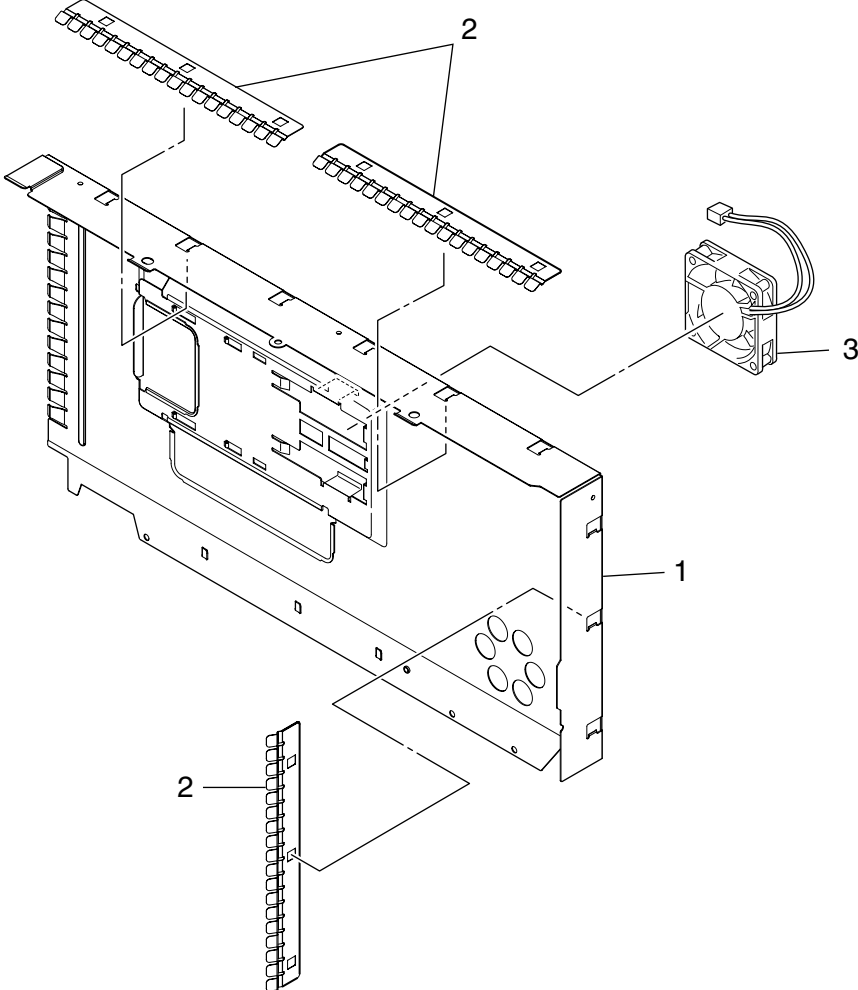
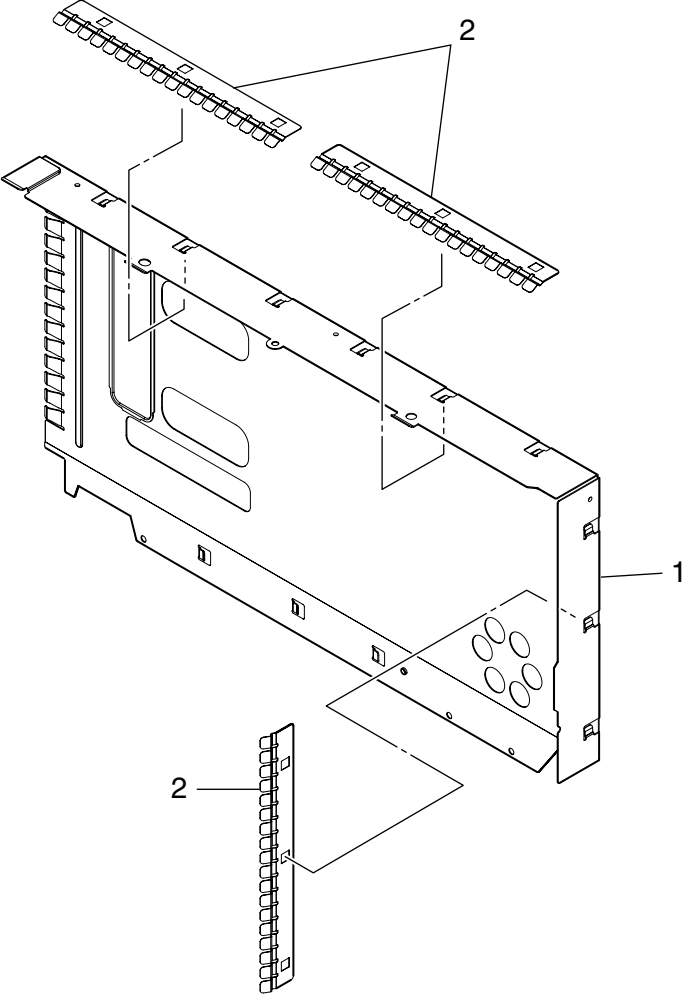
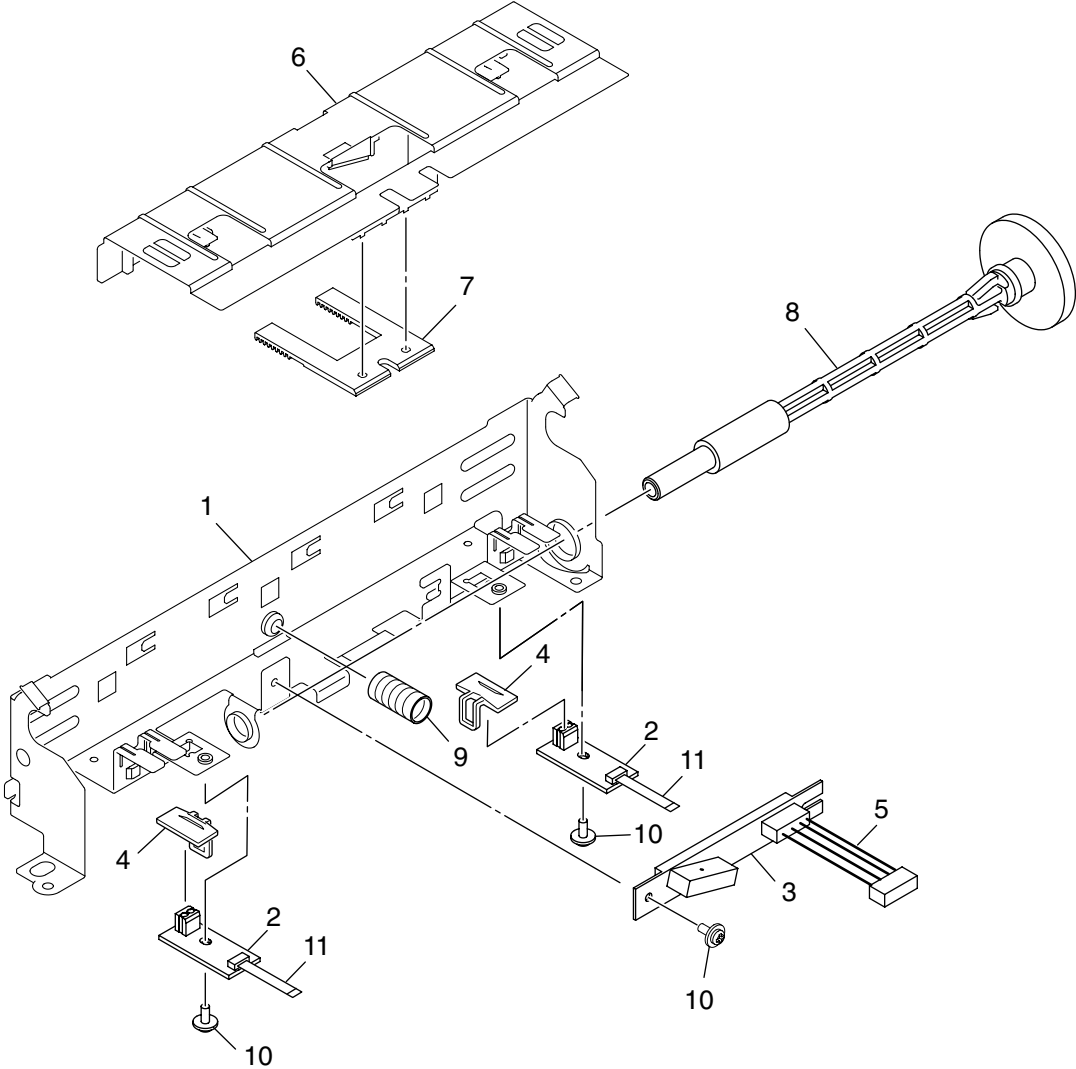


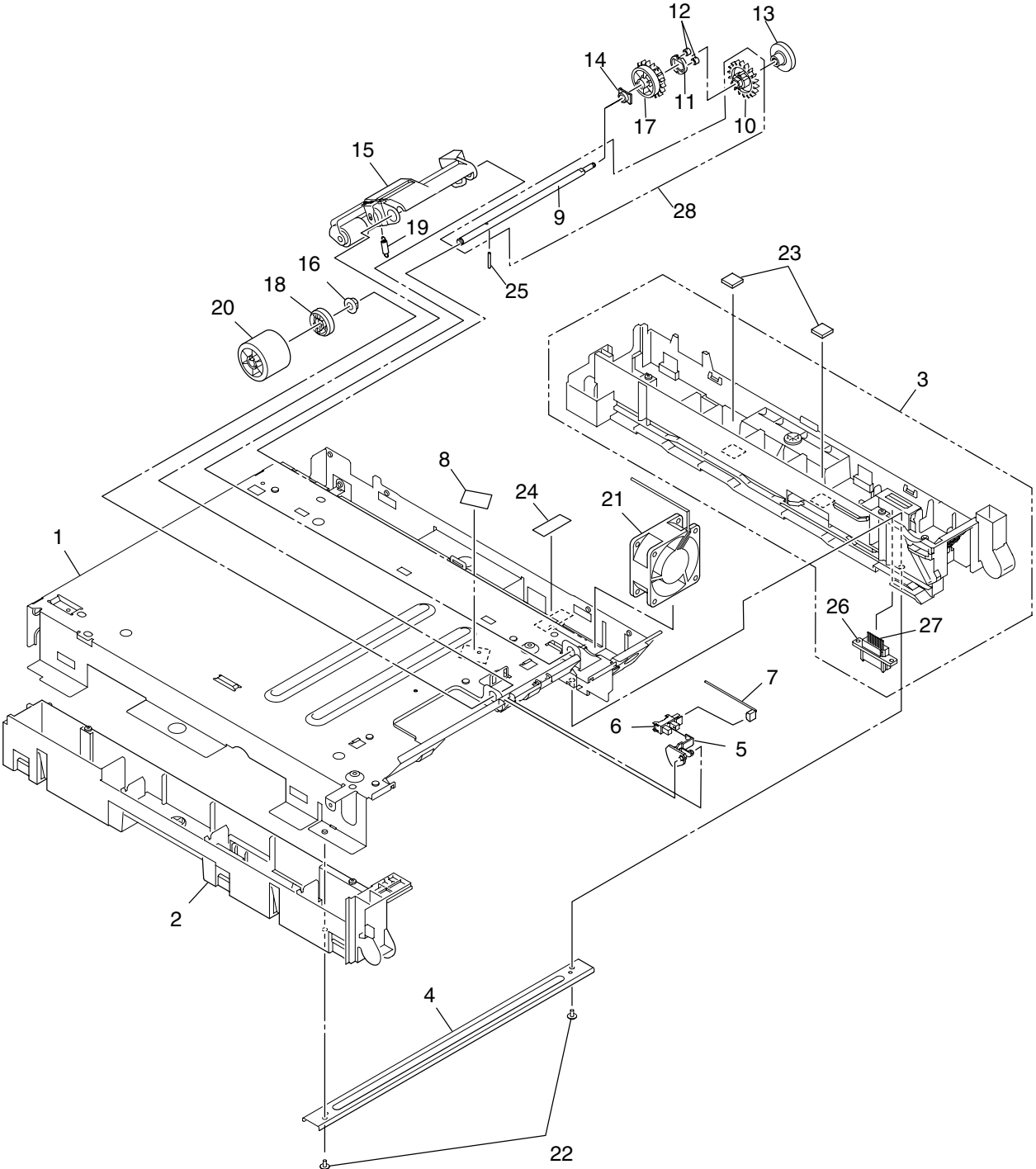
Plate Assy-Shield (C5250/C5200n/C5200/C5150/C3200n/C3200/C3100/C5510ML5200/ML3100)



Sensor_Assy-Regist



Plate_Assy-Base



Eject_Assy

