

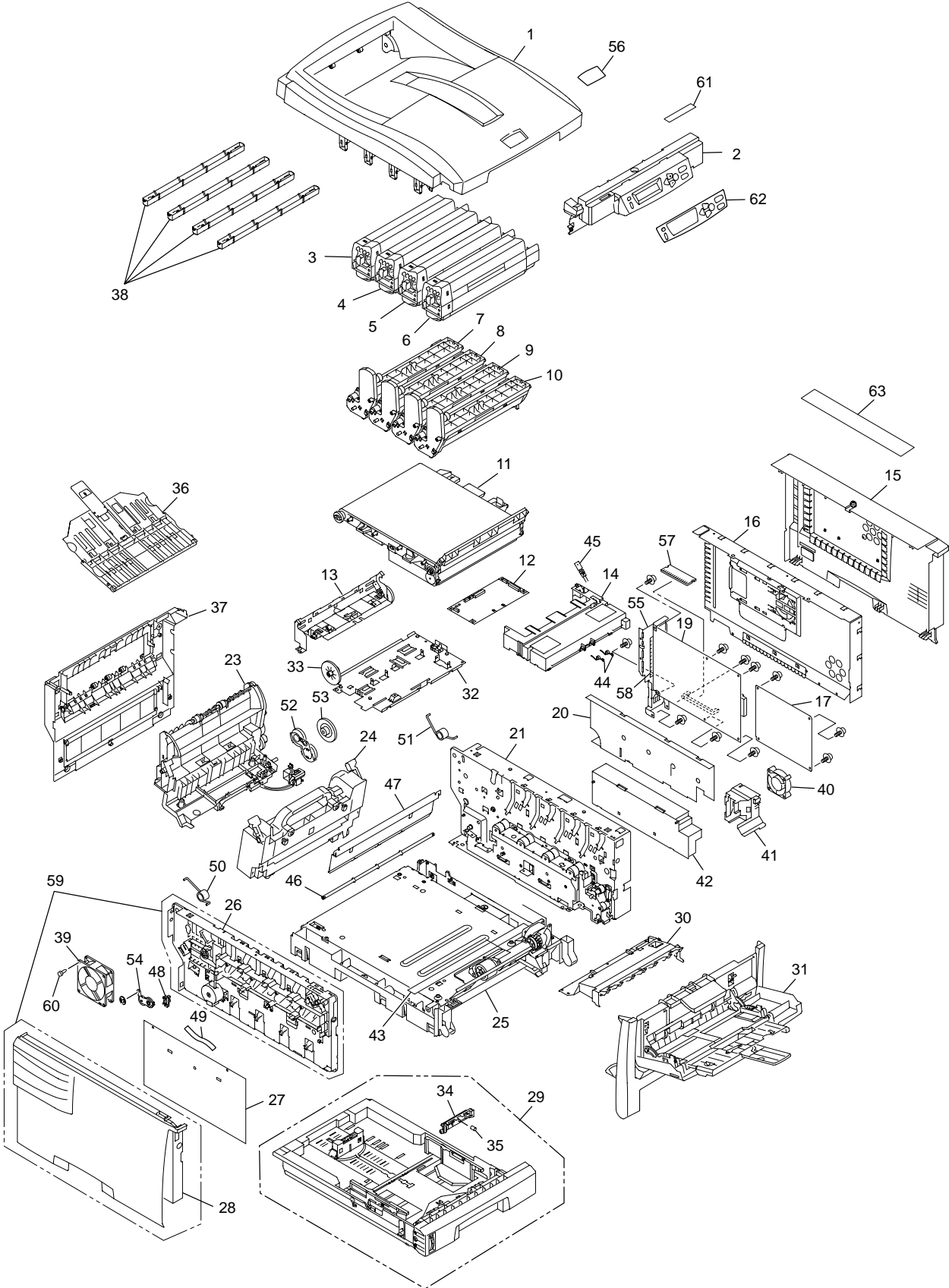
# OEL Disassembly Drawing

C5100/C5300

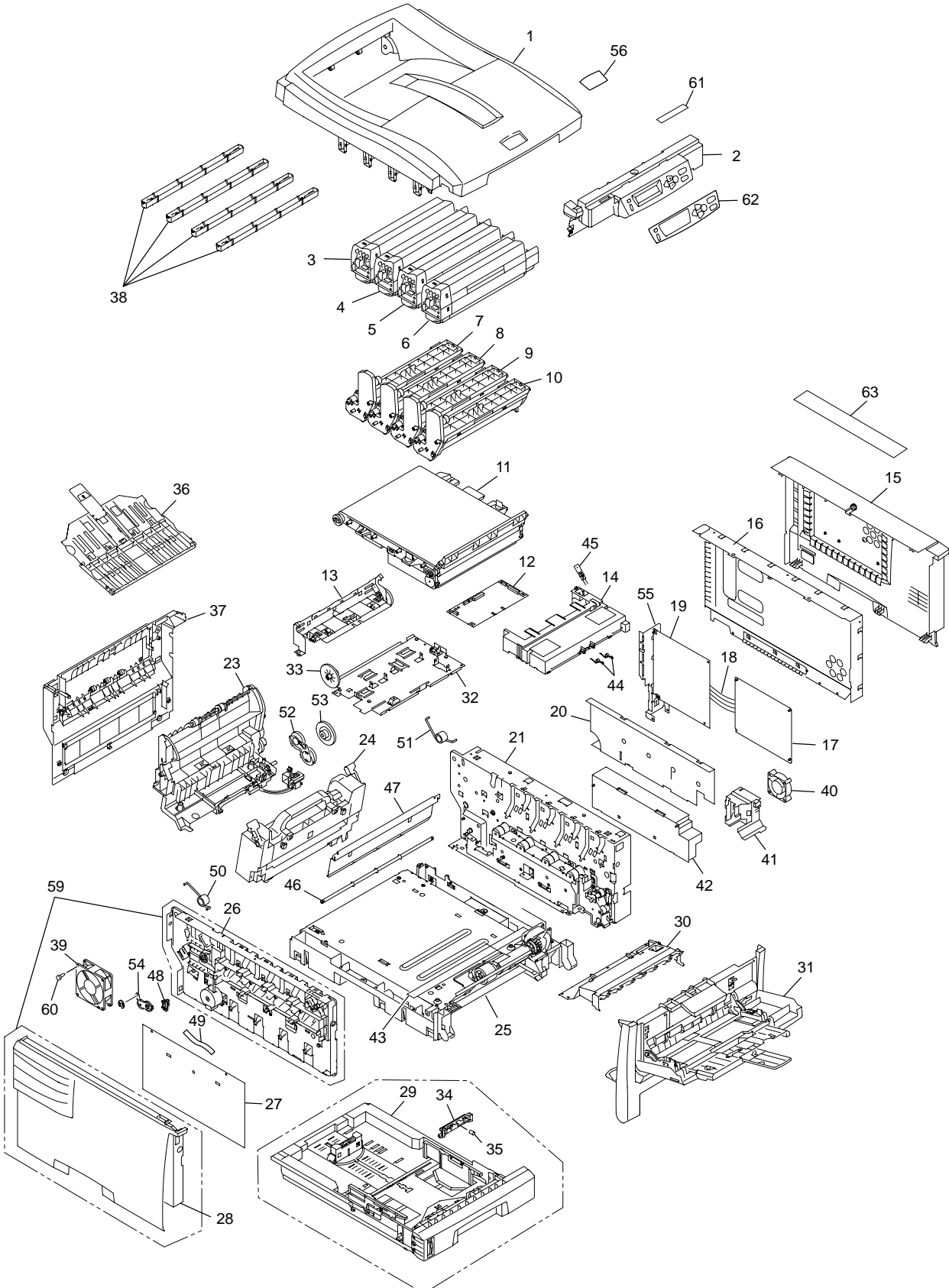


Revision 6

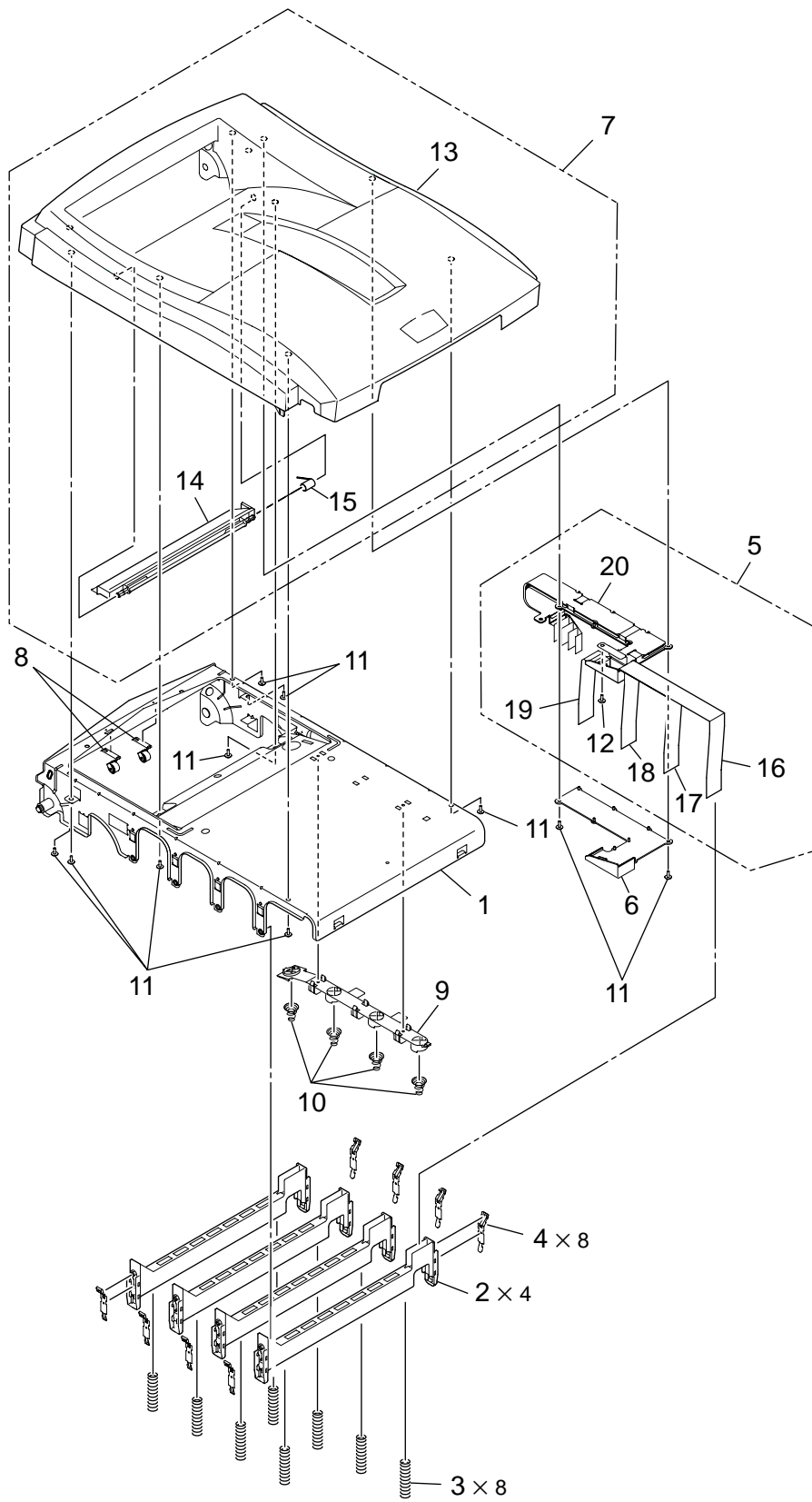
# Parts Layout (C5300)



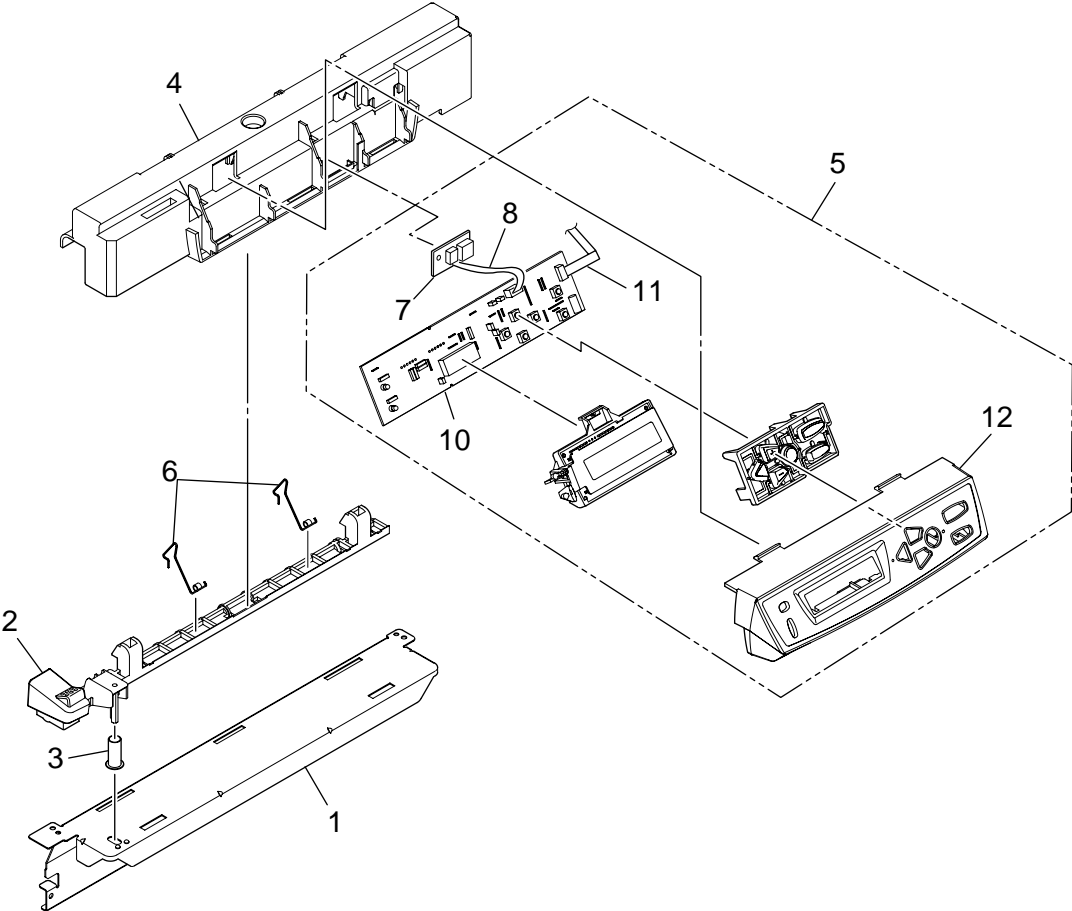
# Parts Layout (C5100)



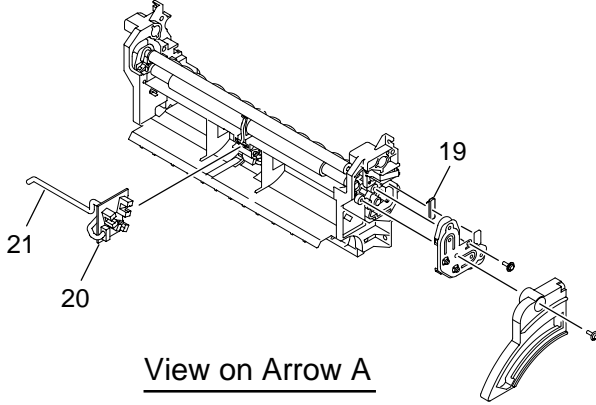
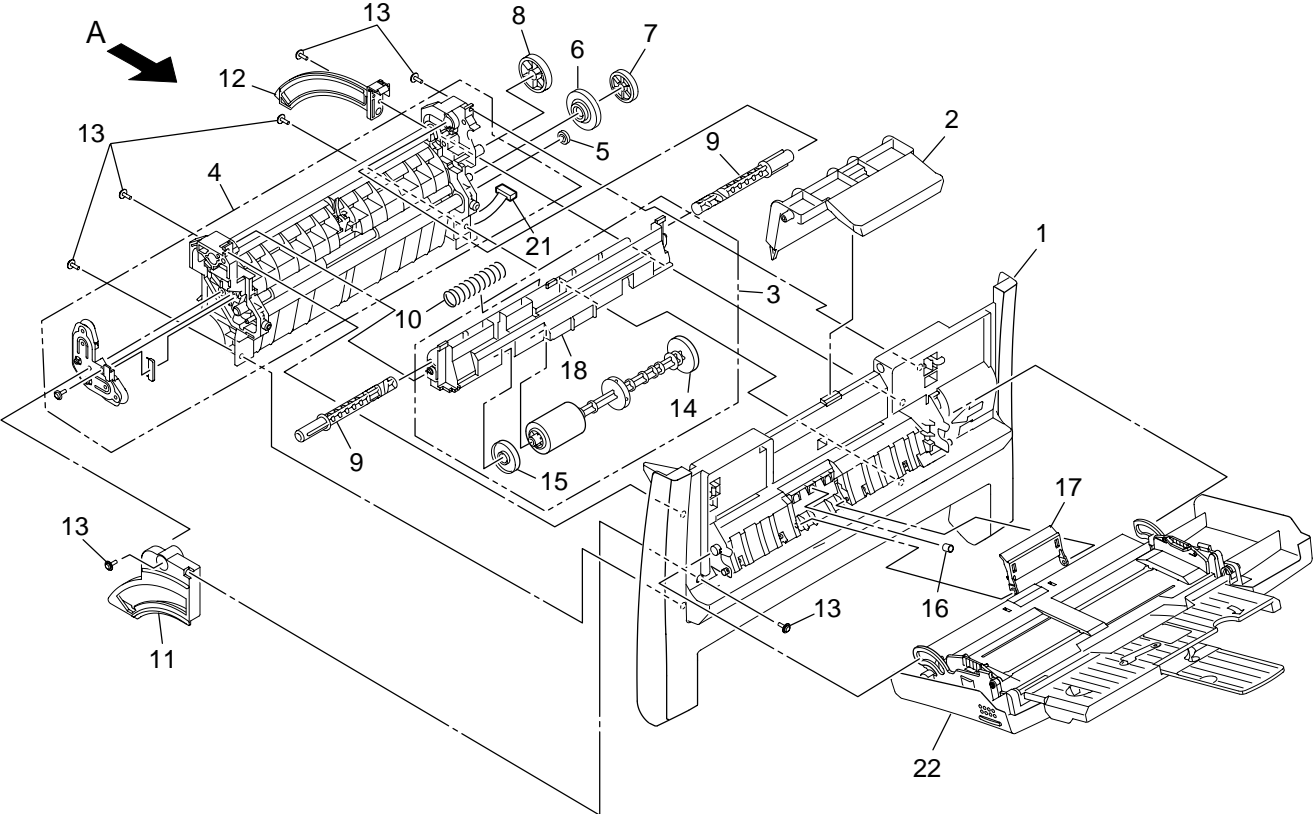
# Top\_Cover\_Assy



Frame\_Assy-OP

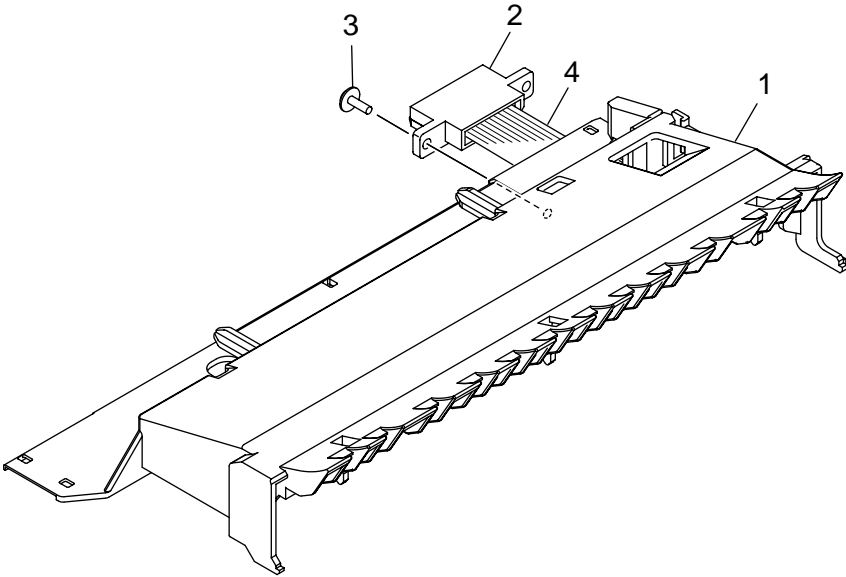


Feeder\_Unit

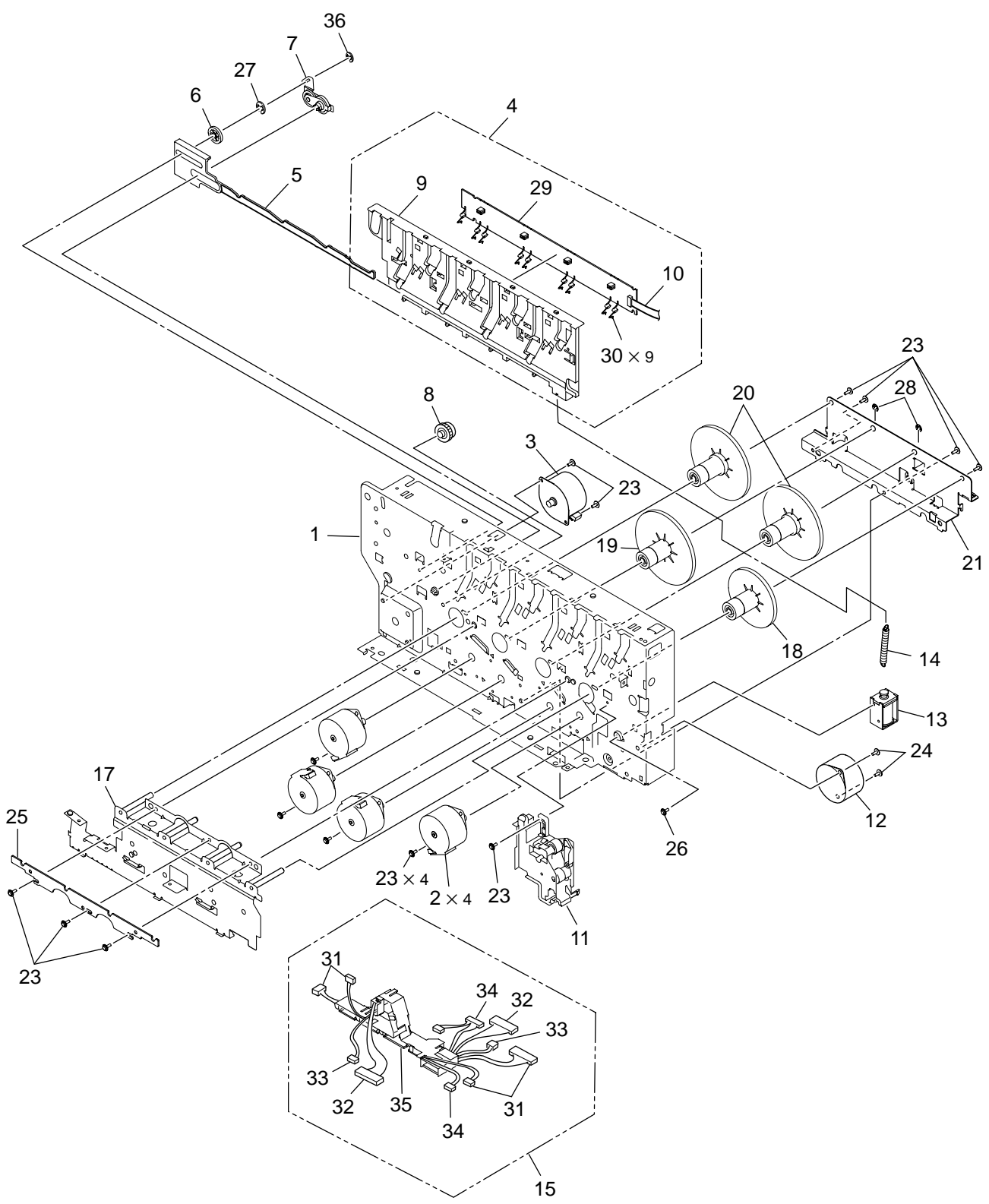


View on Arrow A

**Cover\_Assy-Hopping**

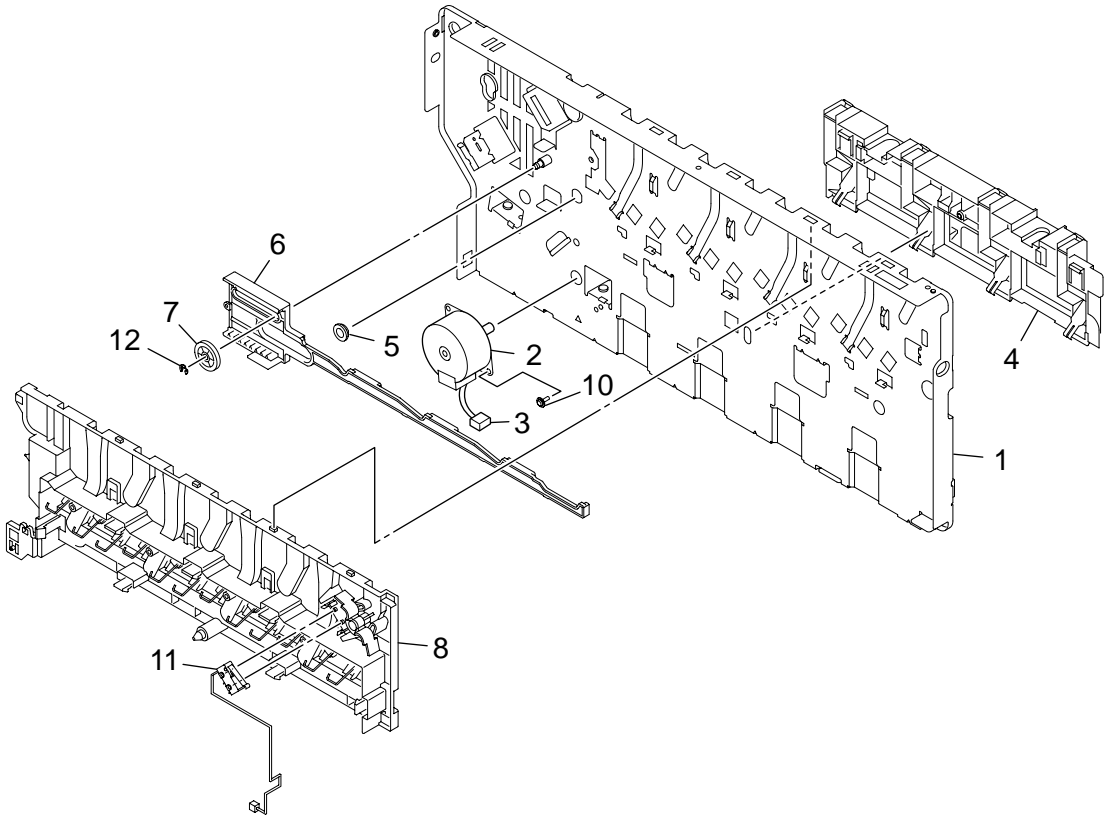


Plate\_Assy-Side\_R

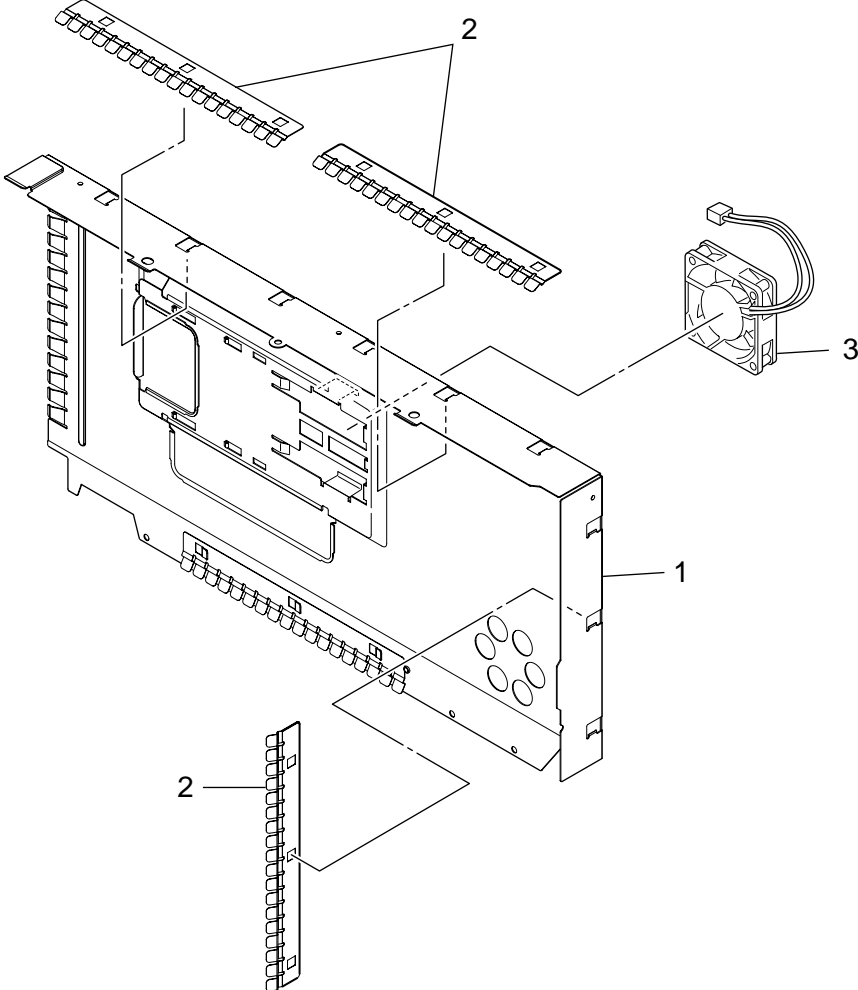




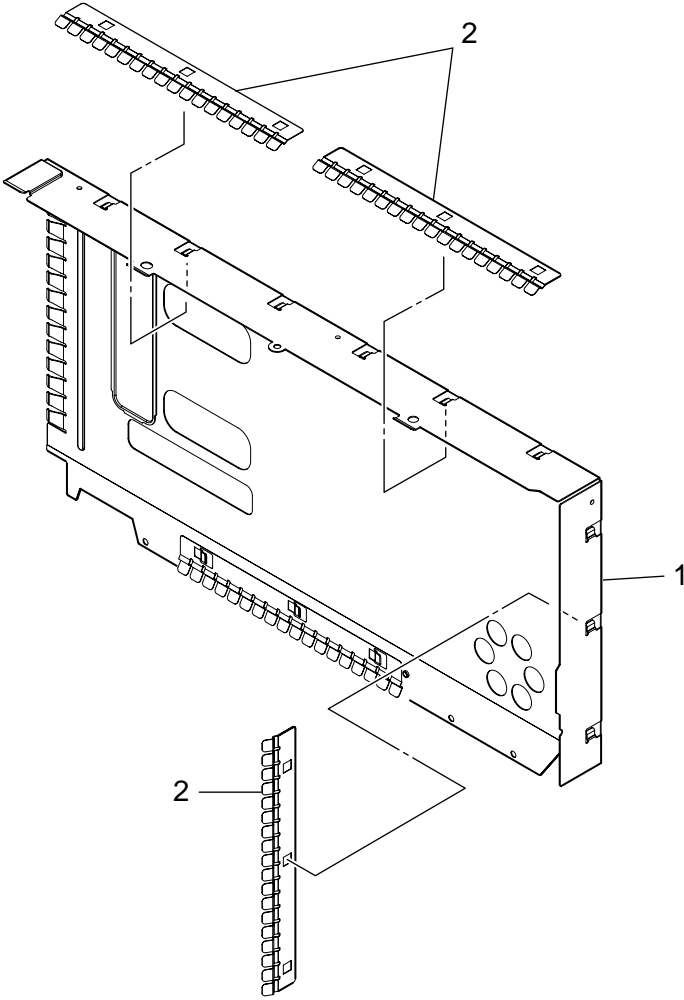
Plate\_Assy-Side\_L



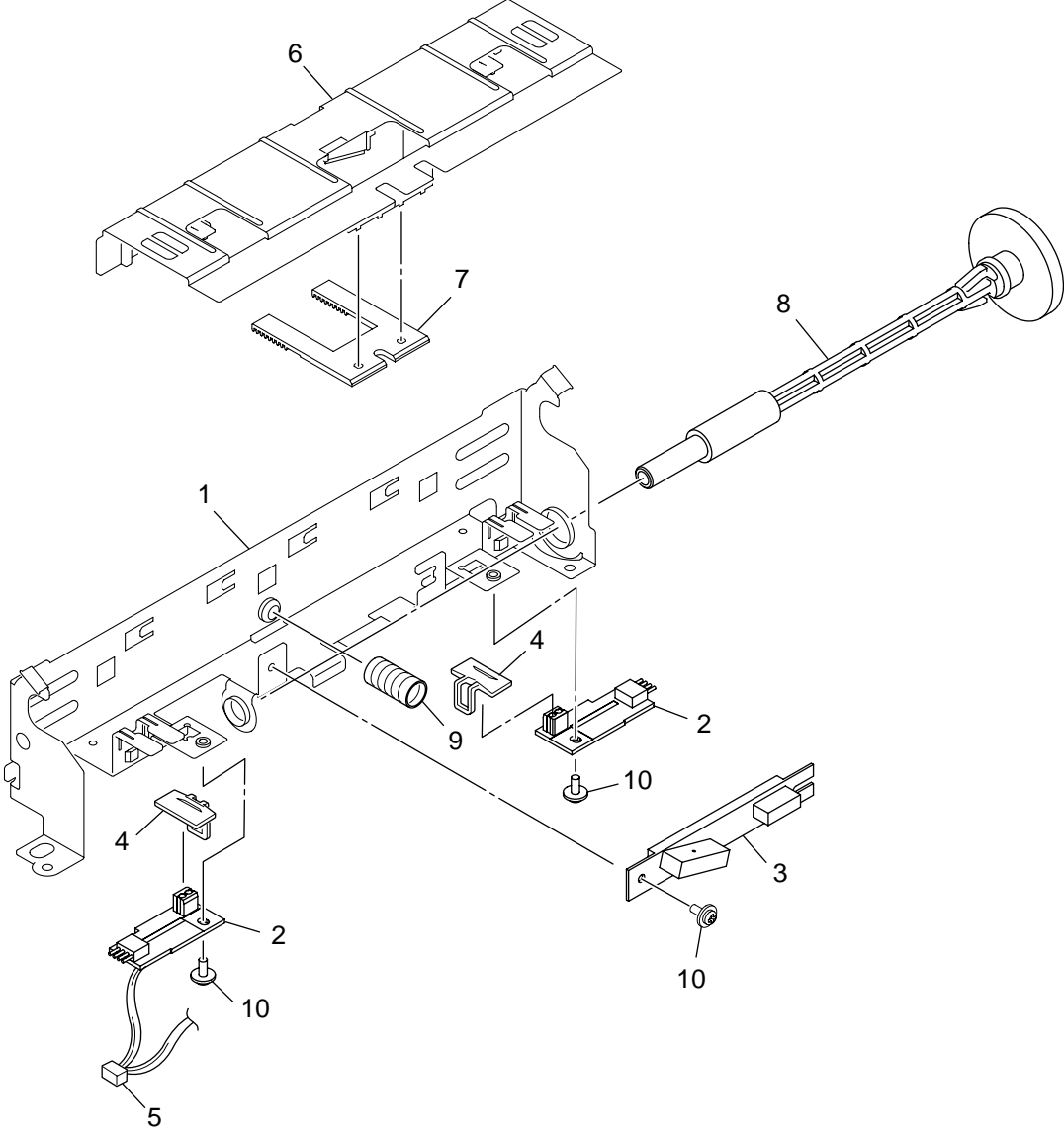
Plate\_Assy-Shield (C5300)



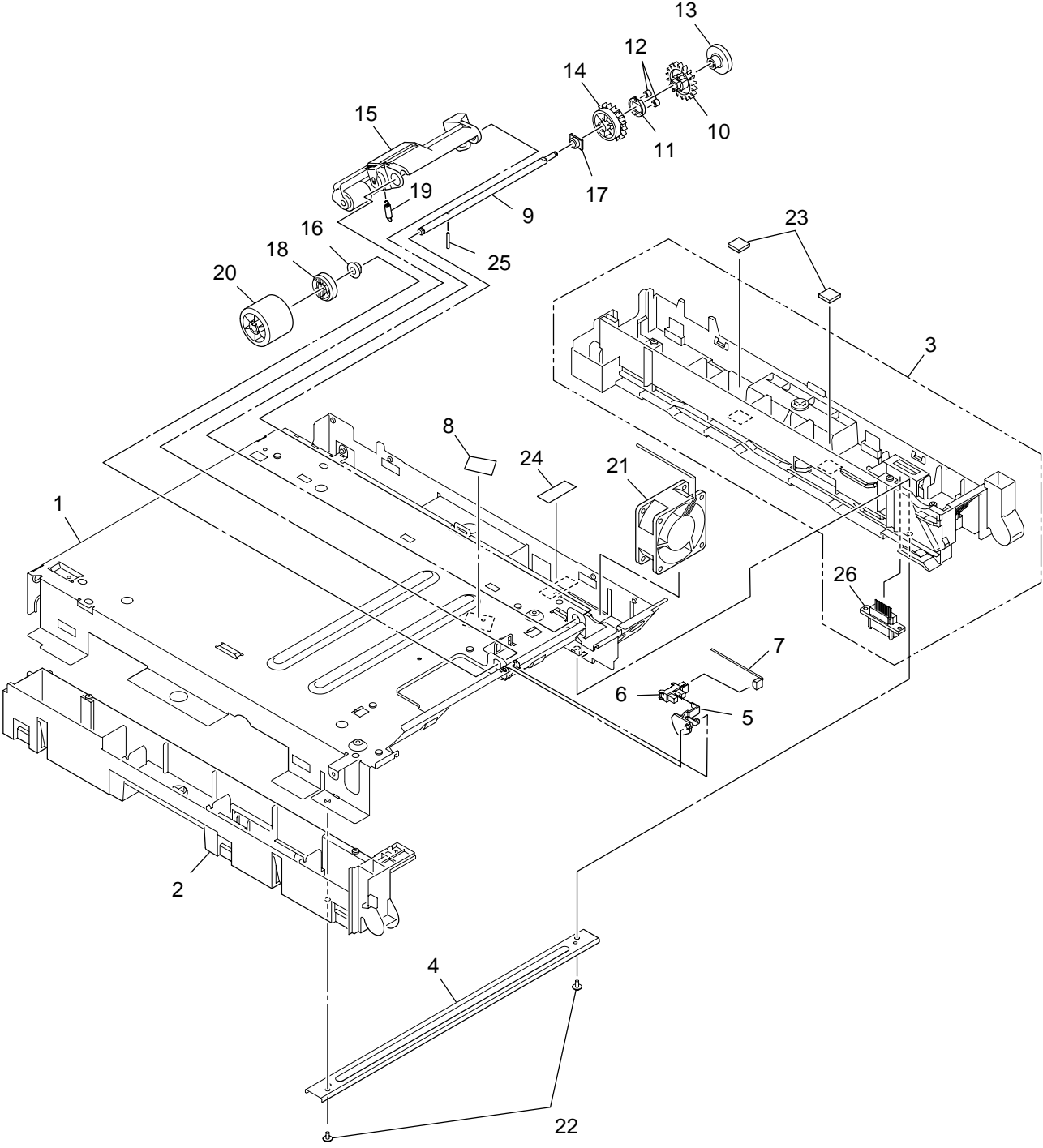
Plate\_Assy-Shield (C5100)



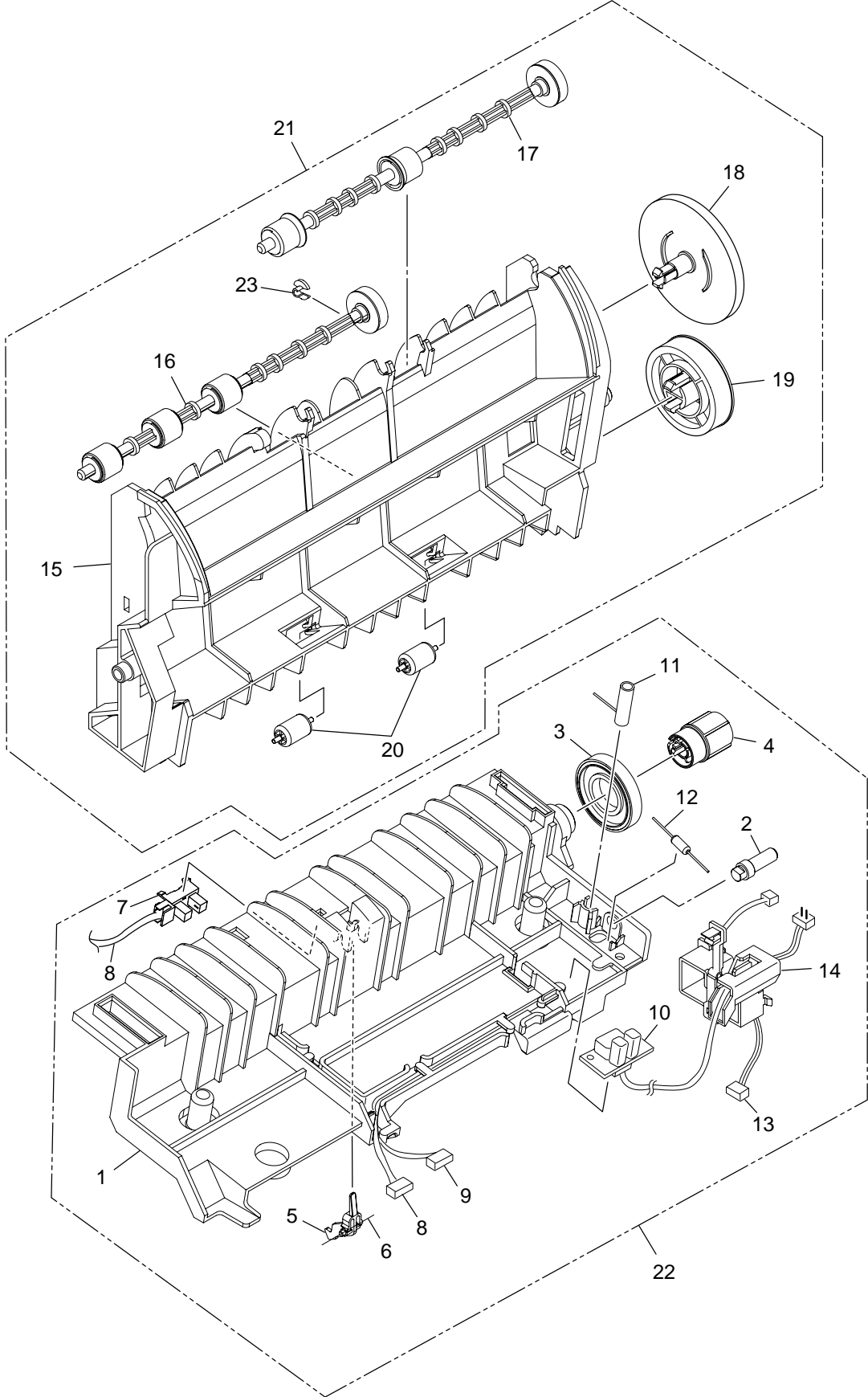
Sensor\_Assy-Color\_Regist



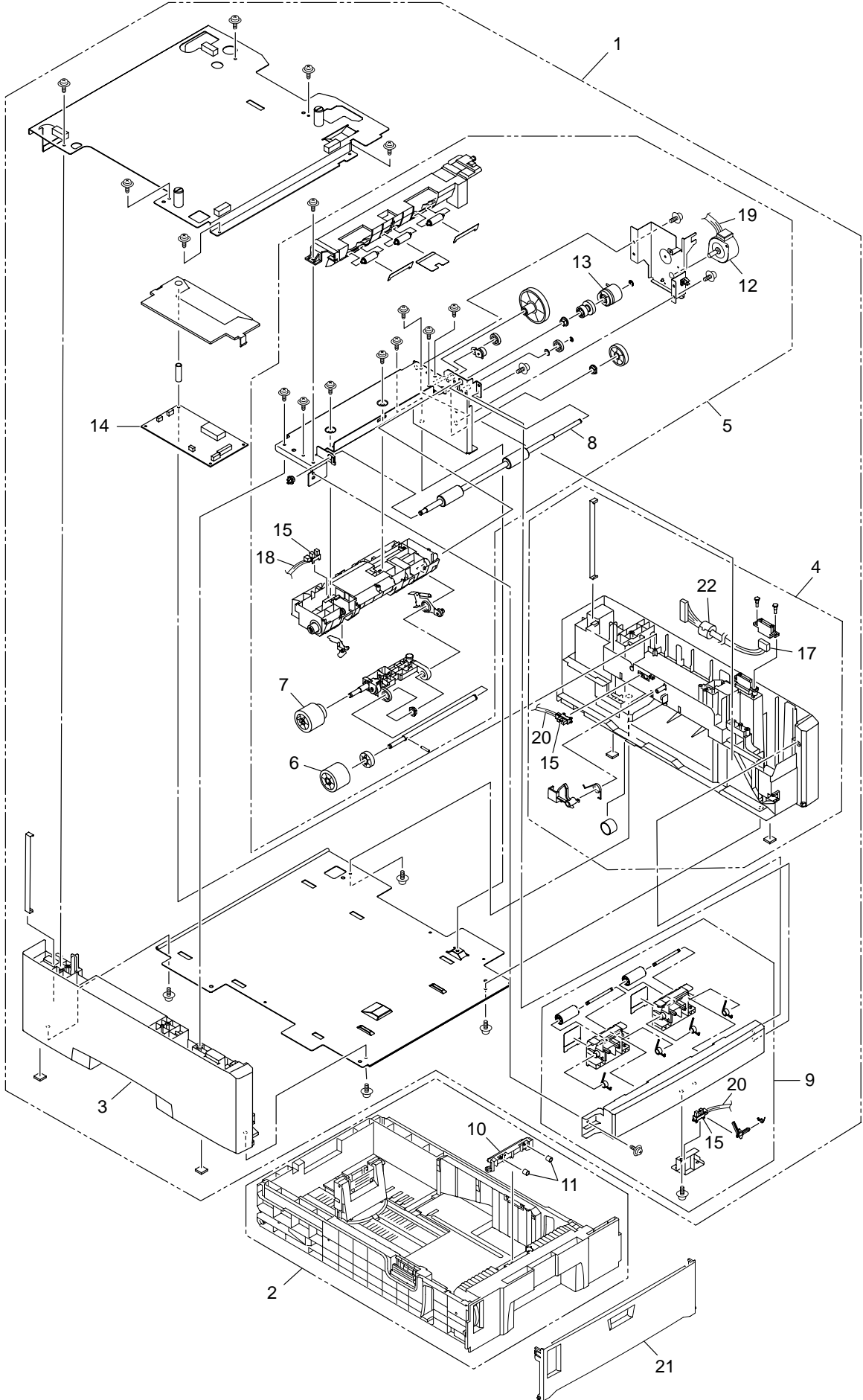
# Plate\_Assy-Base



Guide\_Assy-Eject-L



# 2nd Tray



# Duplex Unit

