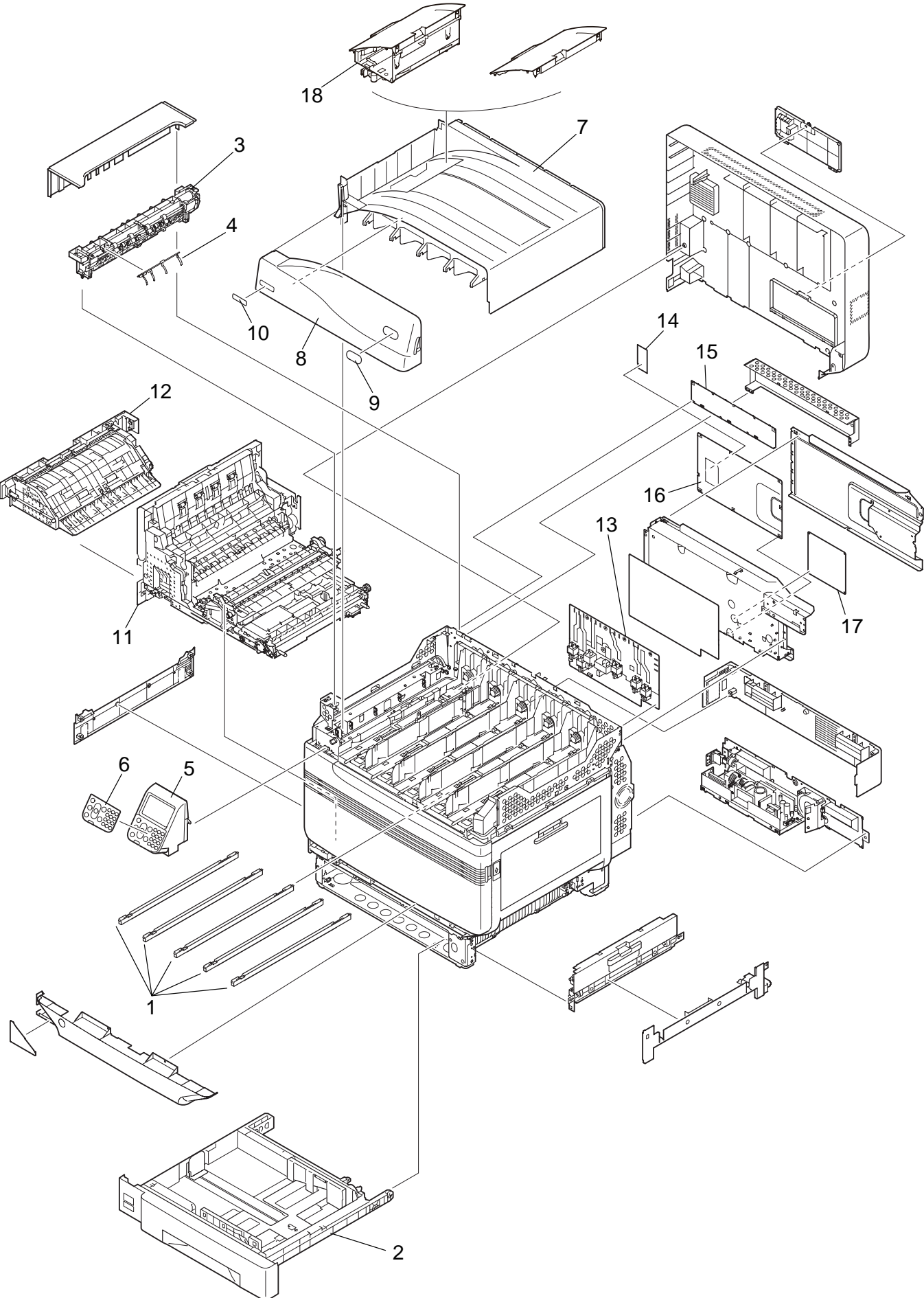


OEL Spare Parts Drawing

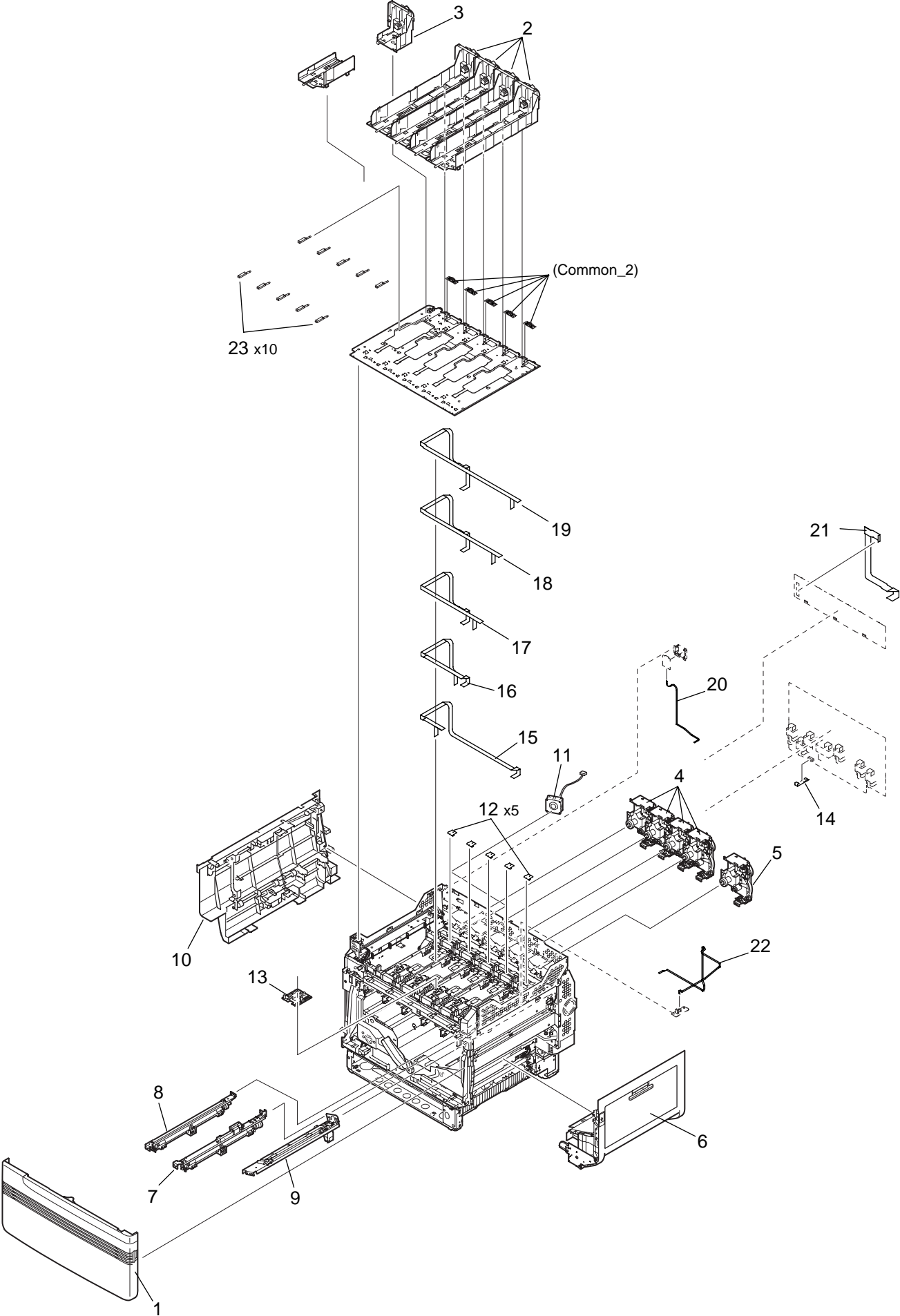
C931/ES9431/ES9541

Revision 1

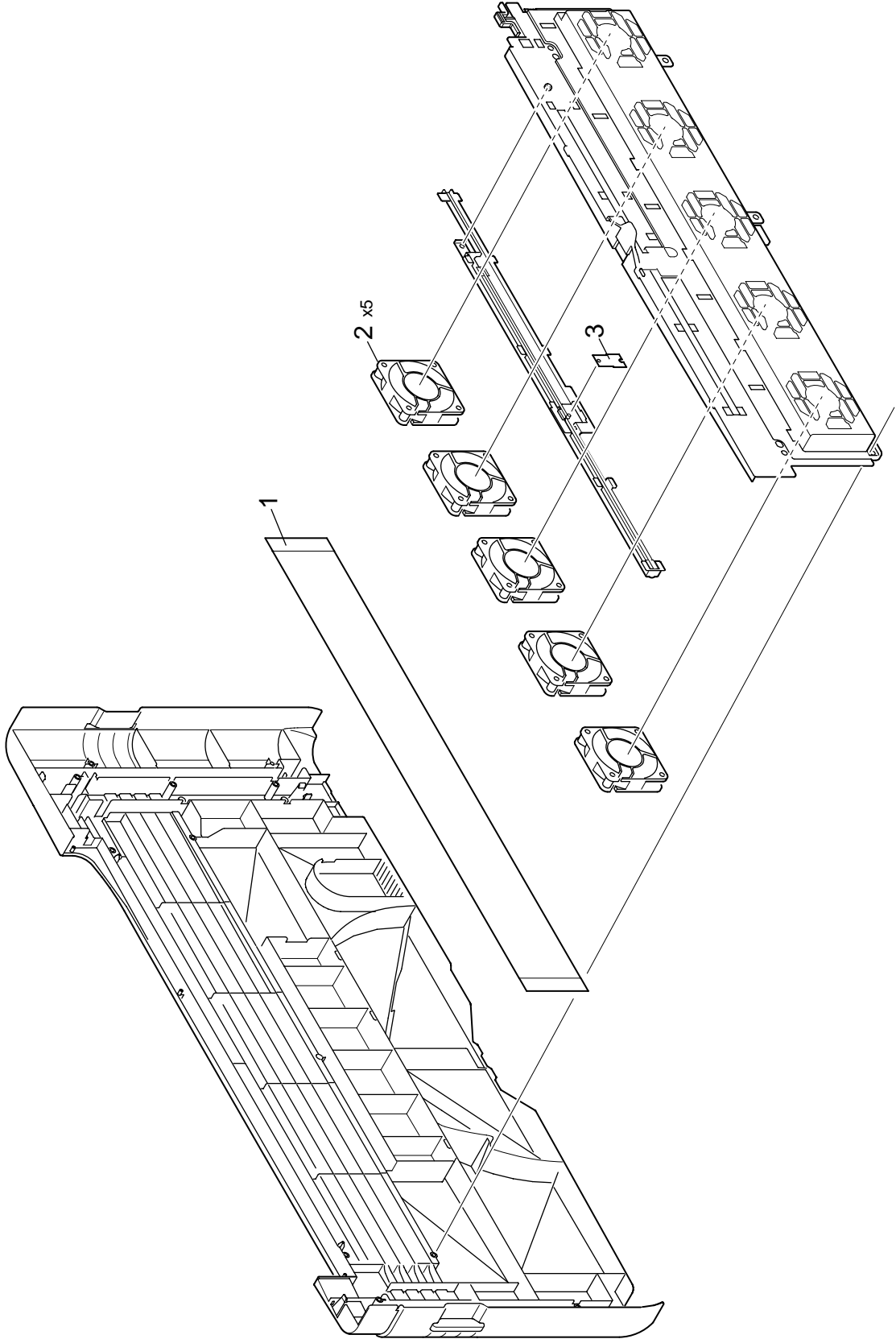
Printer-NIP



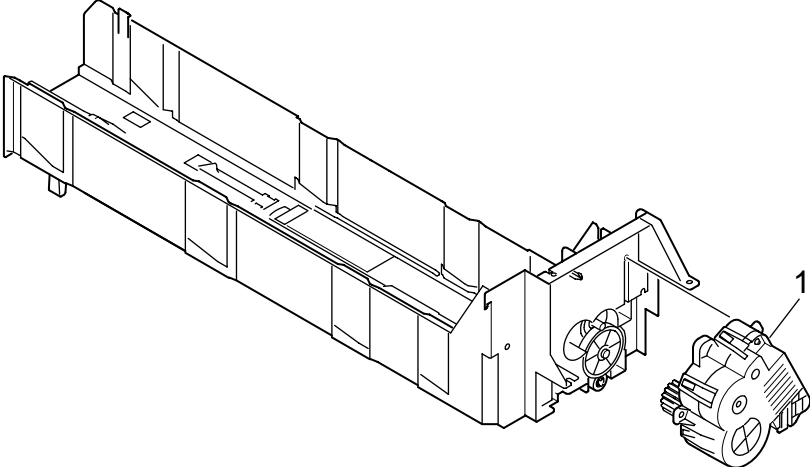
Printer-Unit-PX753



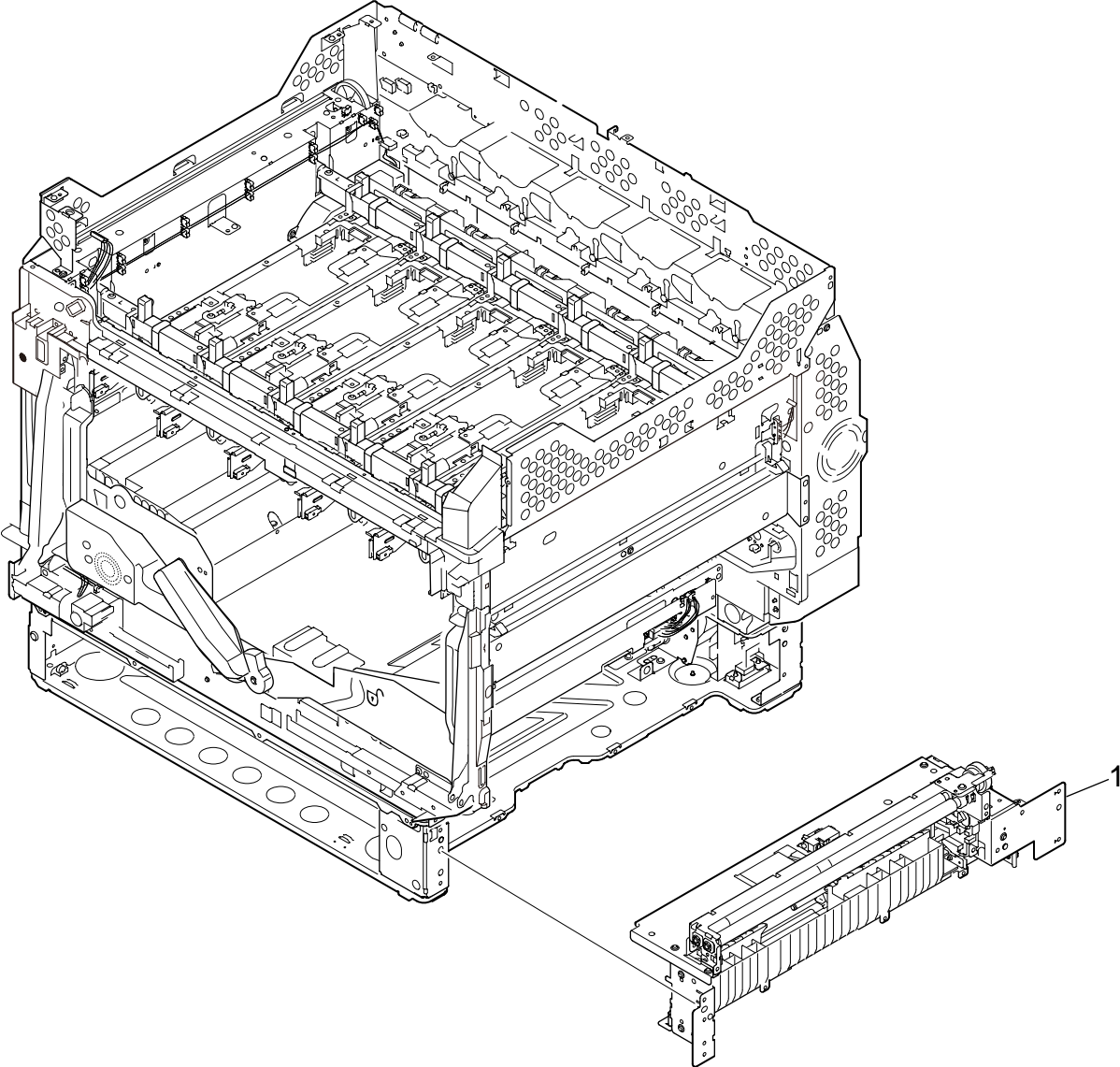
Cover-Assy-Front



Frame-Assy-TC



Main-Frame-Assy



Slide-Rail-Assy-L/R

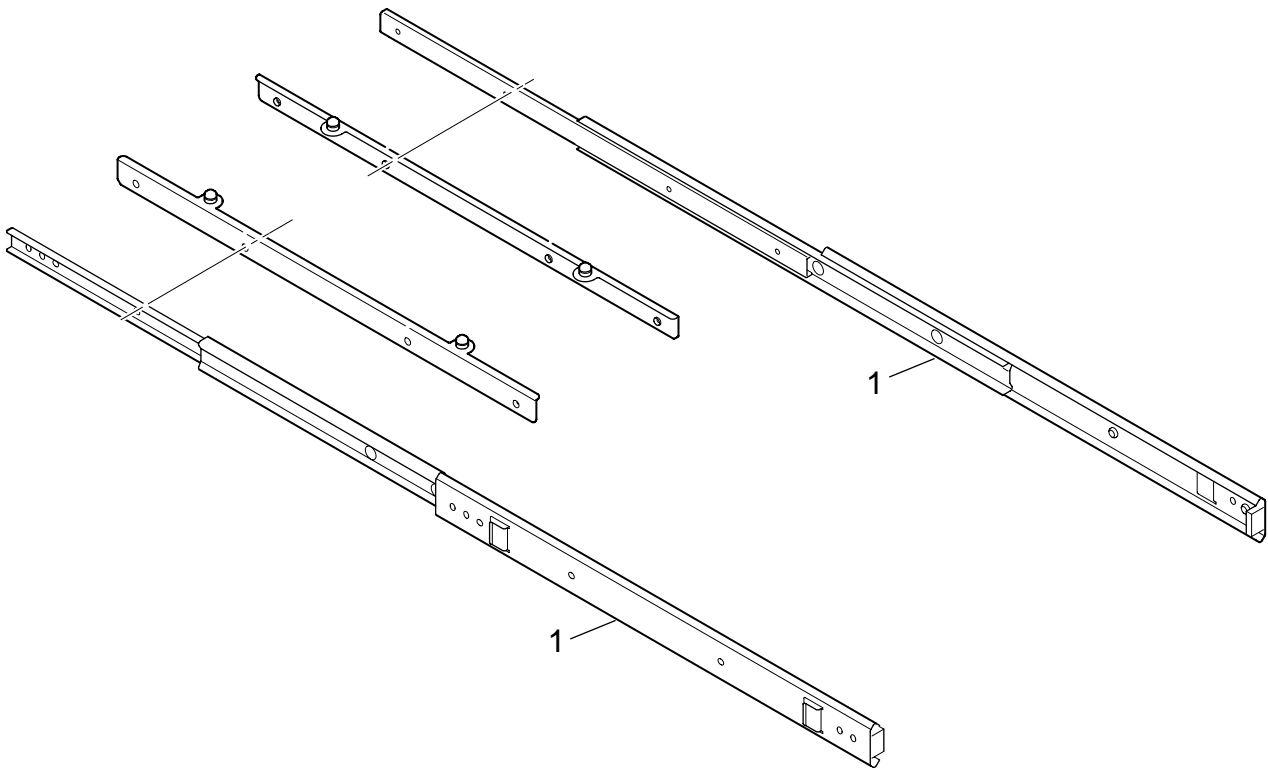
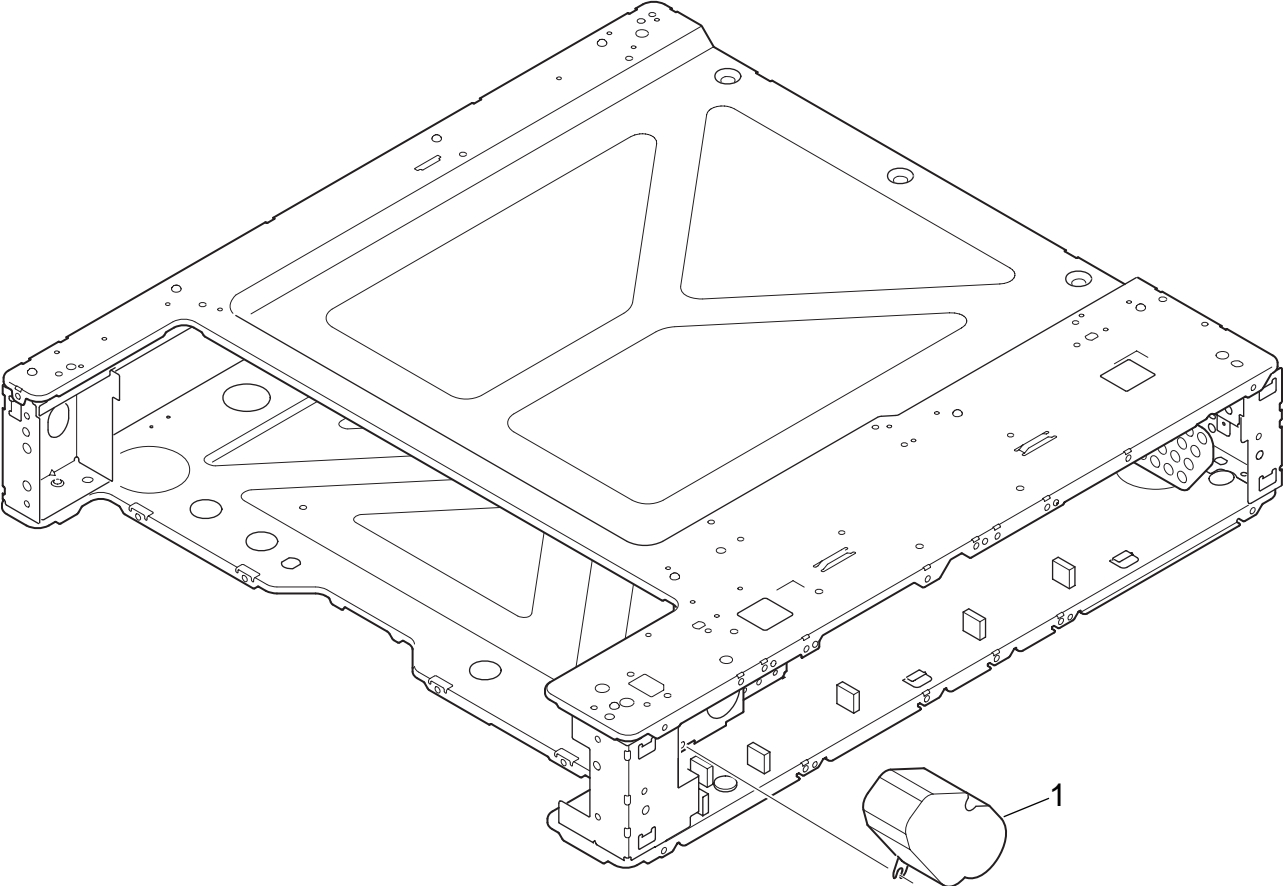
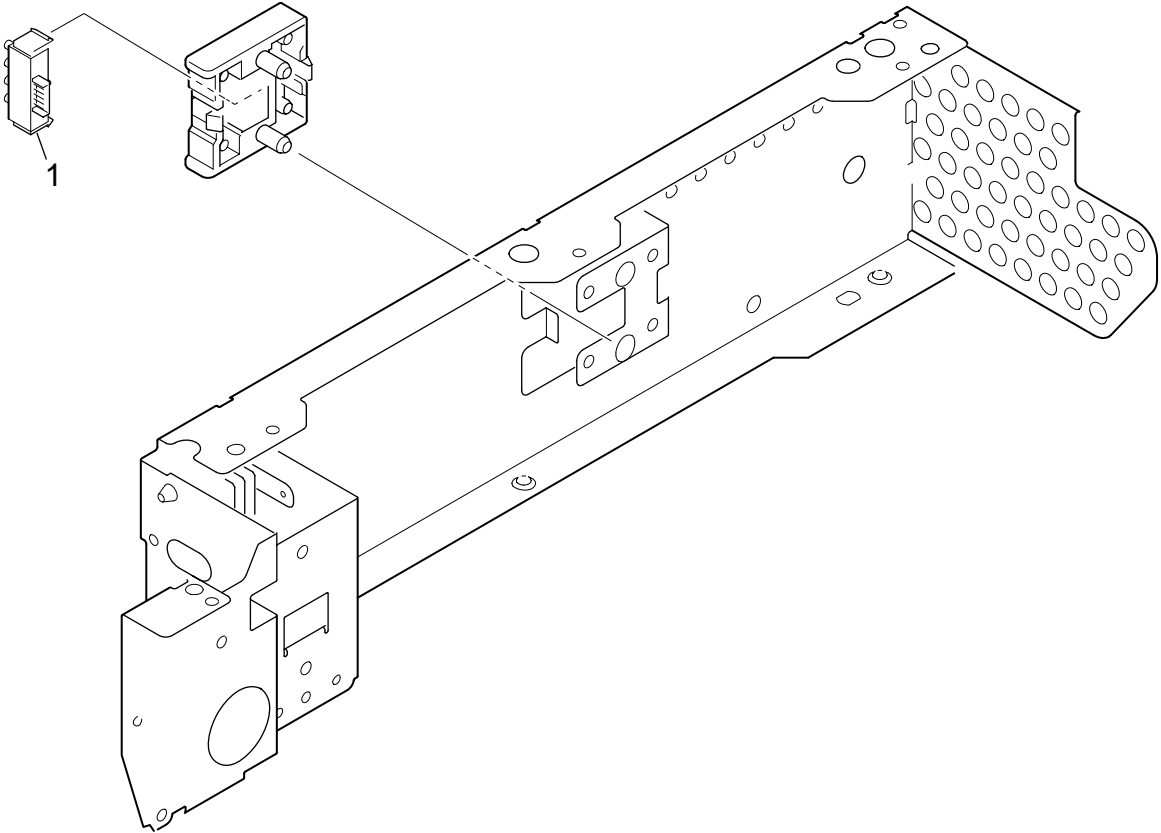


Plate-Base-Assy



PS-Sensor-Assy



Hopping-Unit

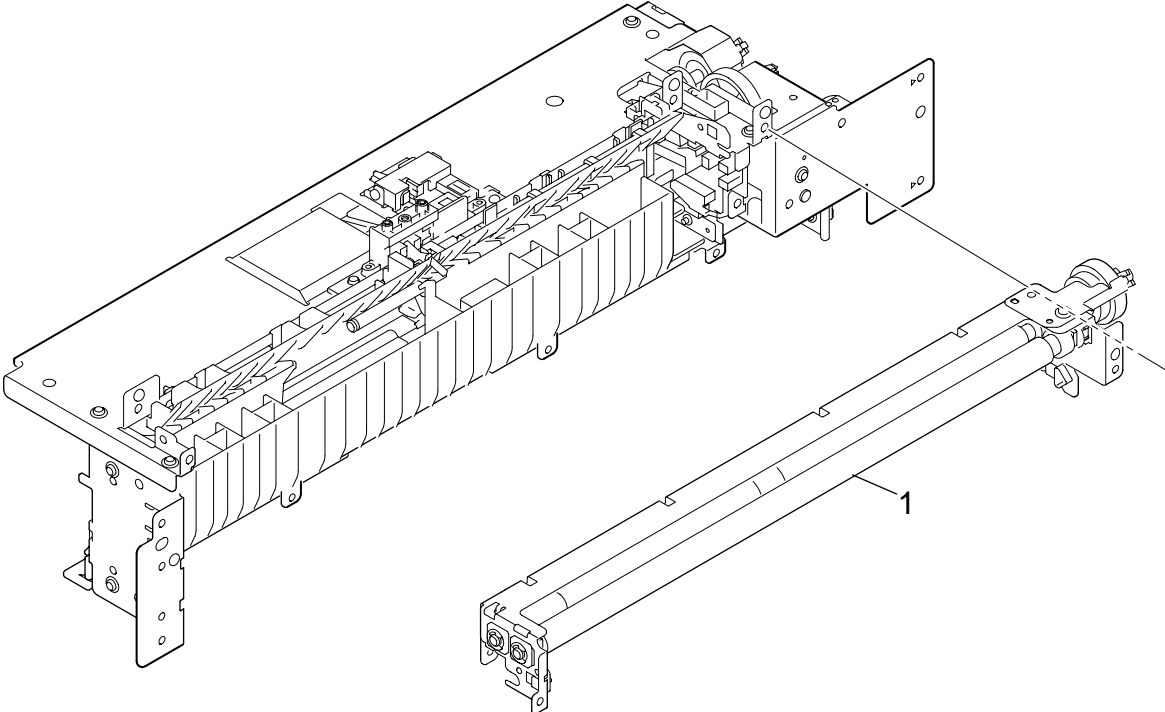


Plate-Assy-Retard

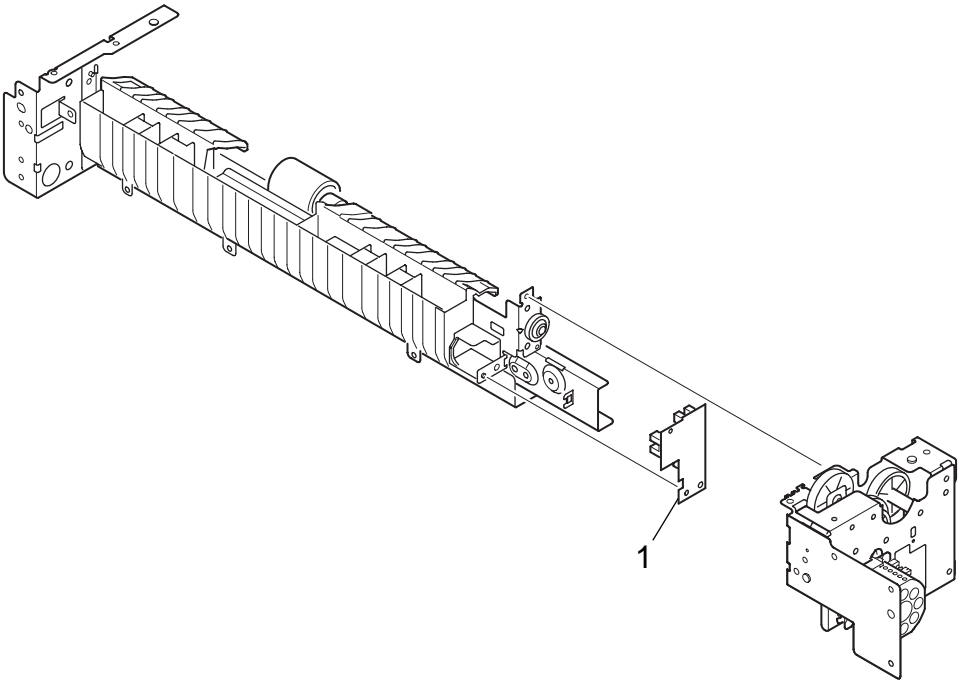
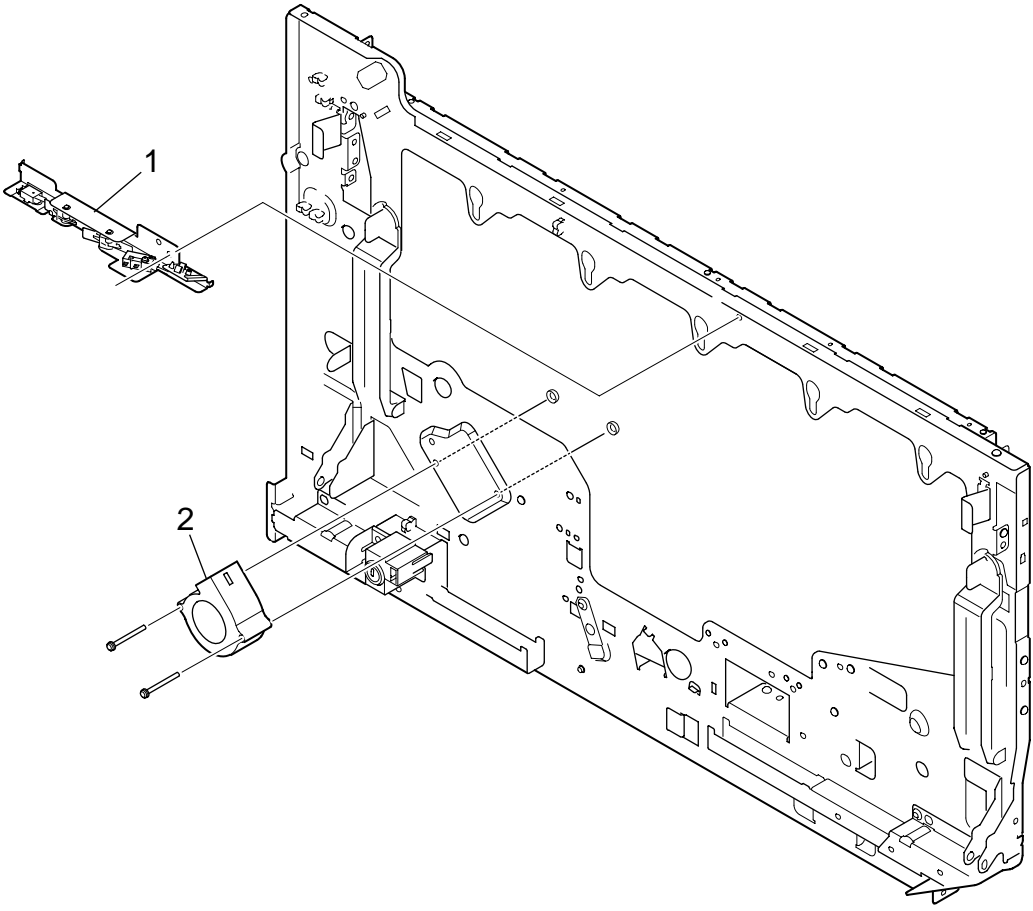


Plate-Assy-Front



Holder-Assy-soft SW

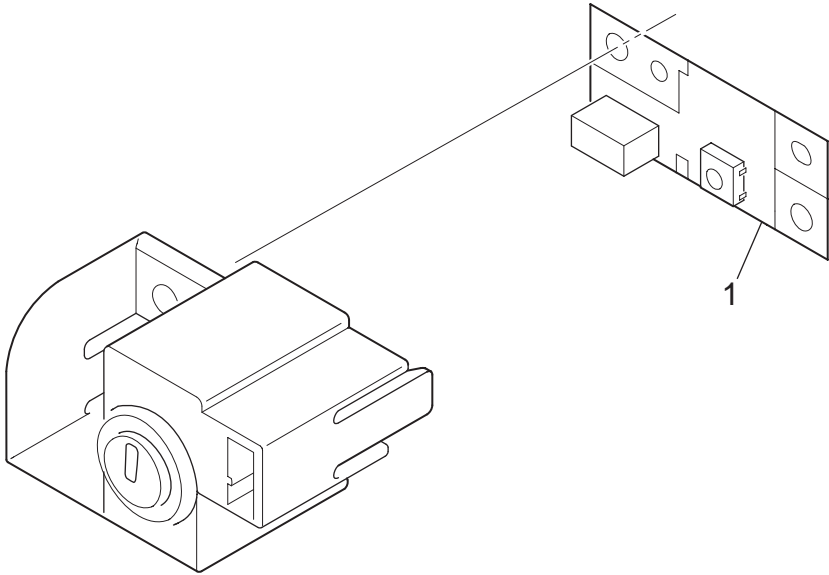
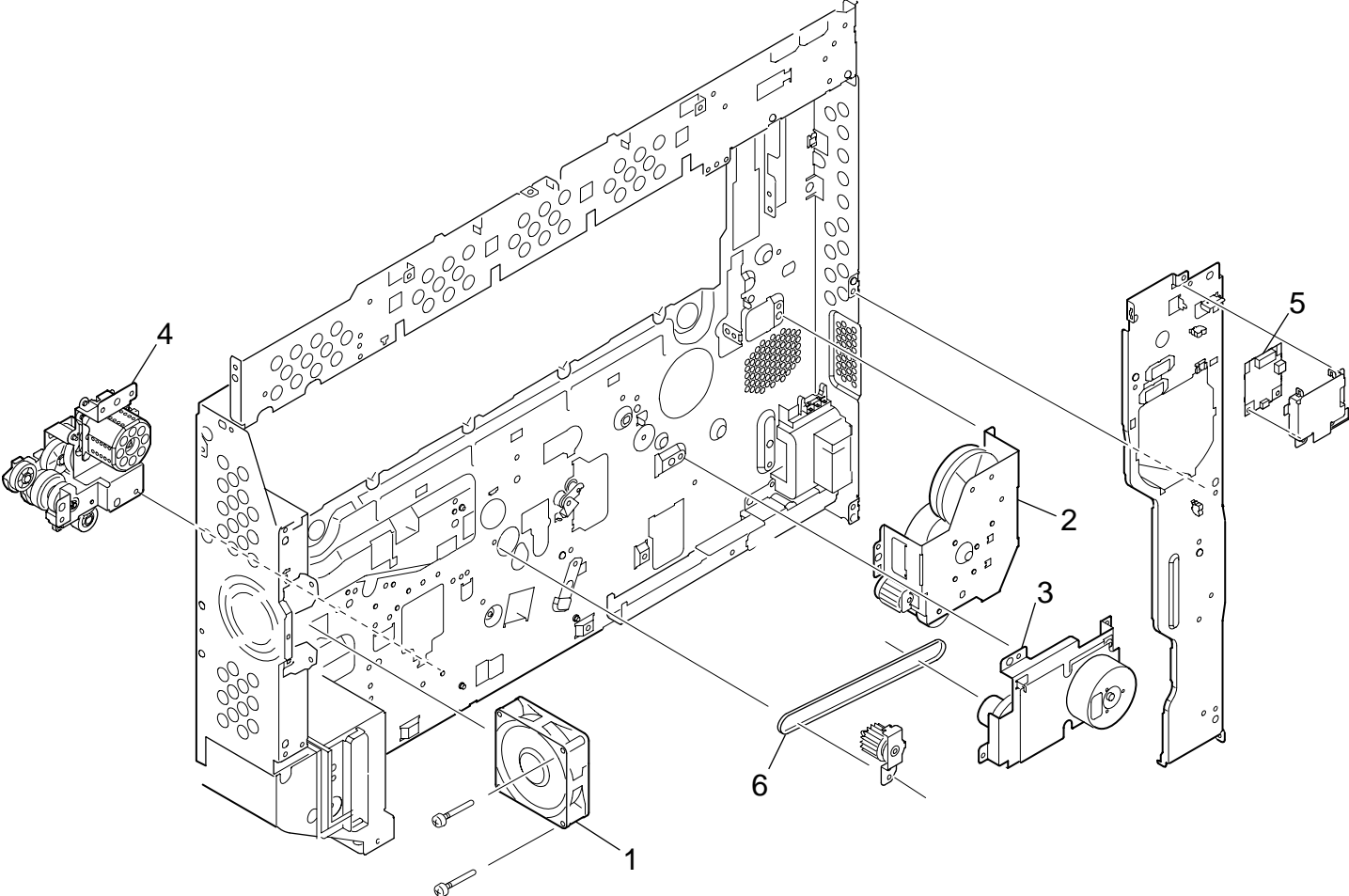
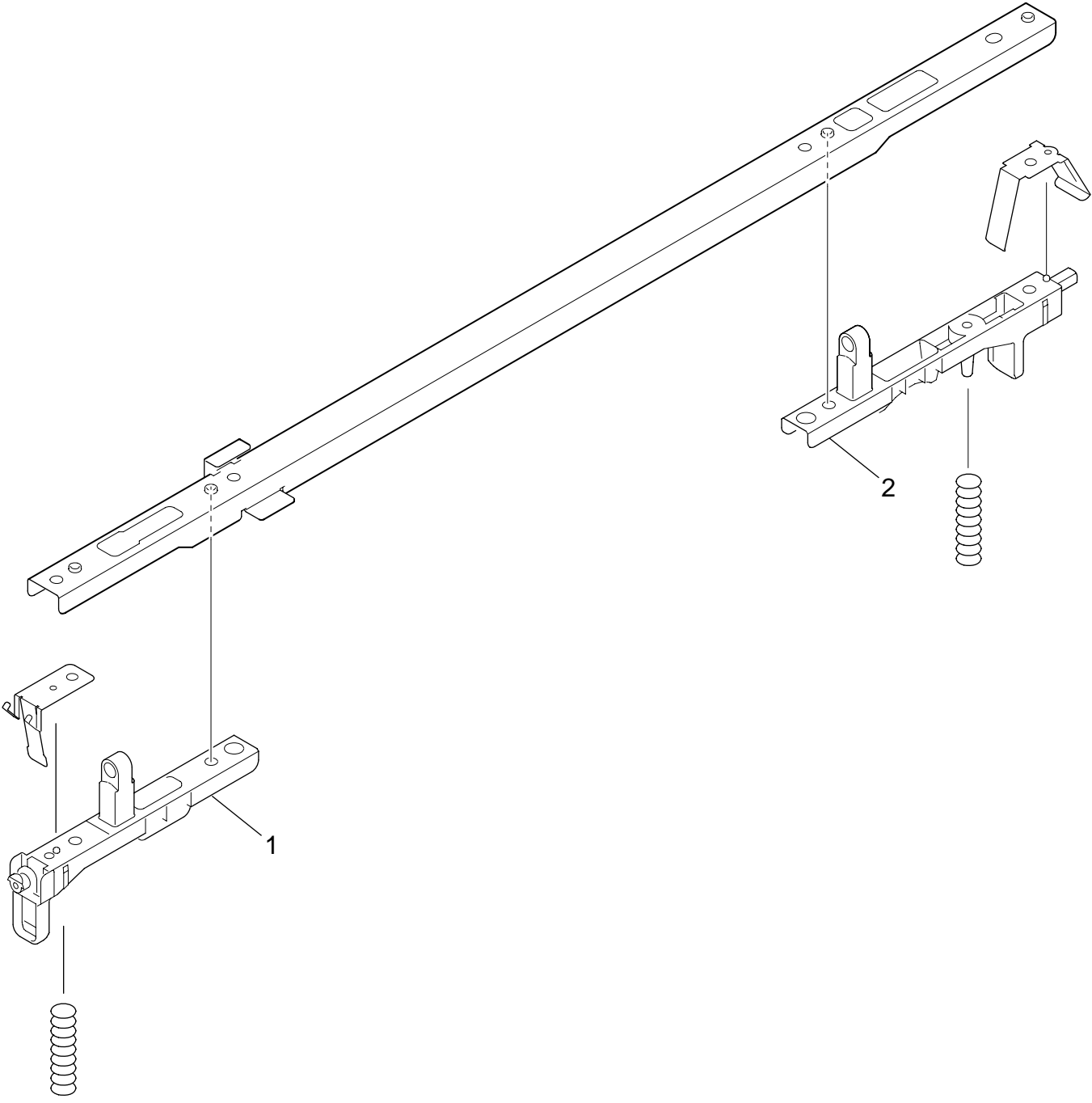


Plate-Assy-Rear



Holde-Head-Assy



Sensor-Assy-WT

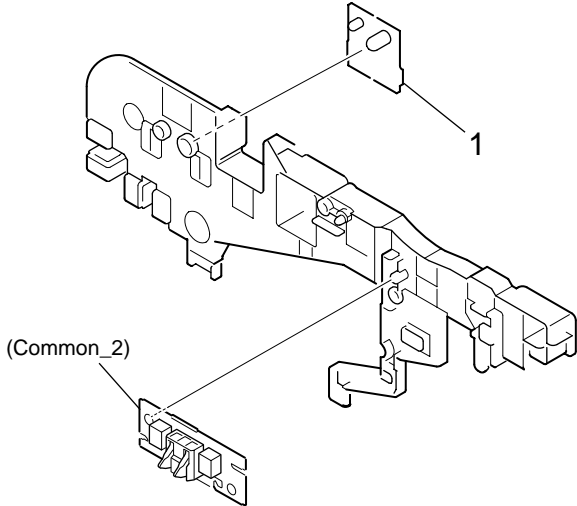
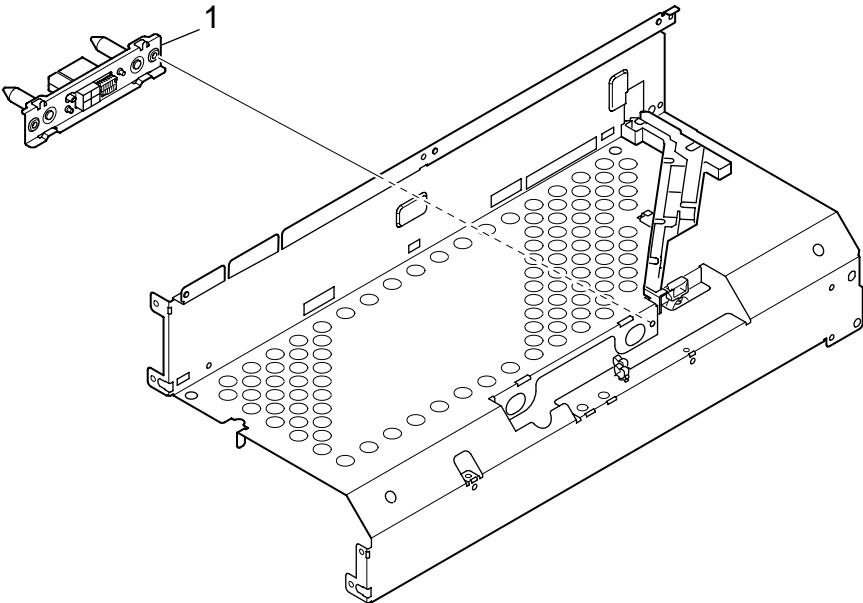
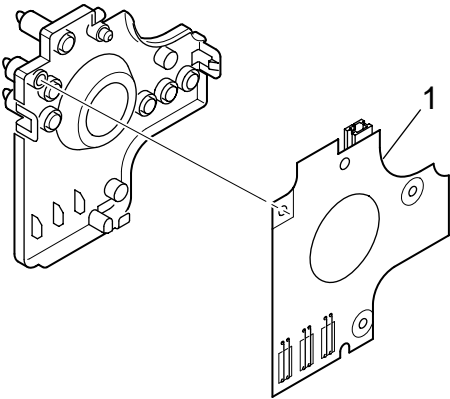


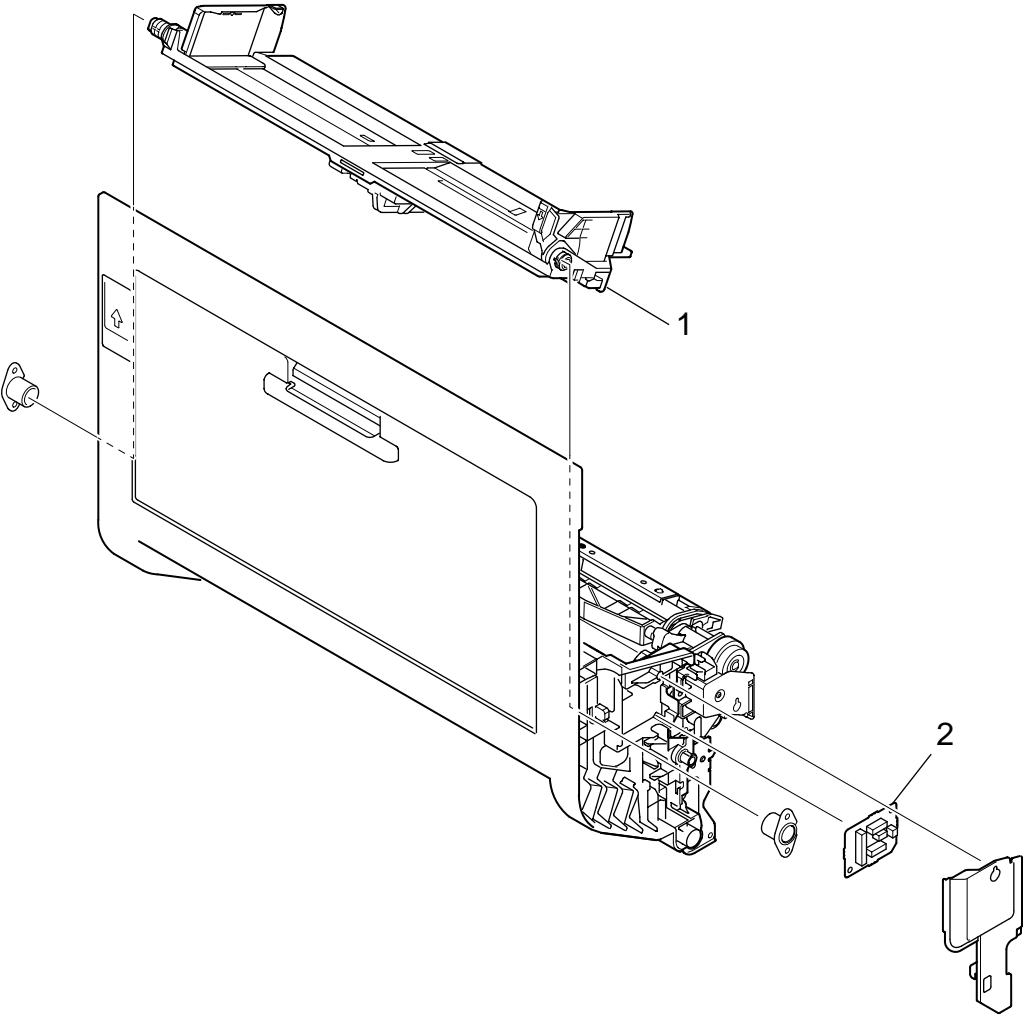
Plate-Assy-Side-LB



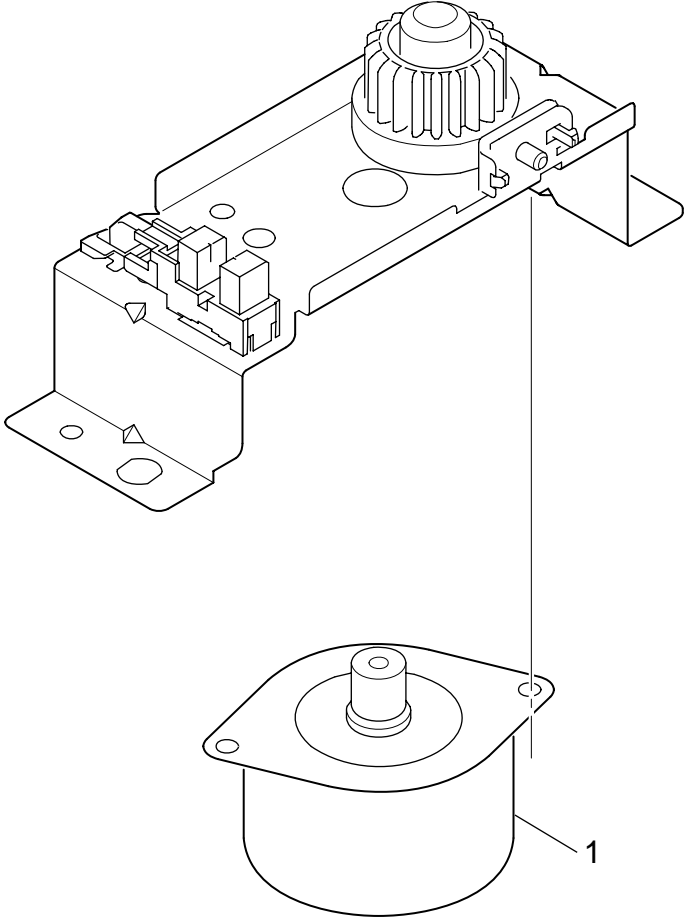
Contact-Assy



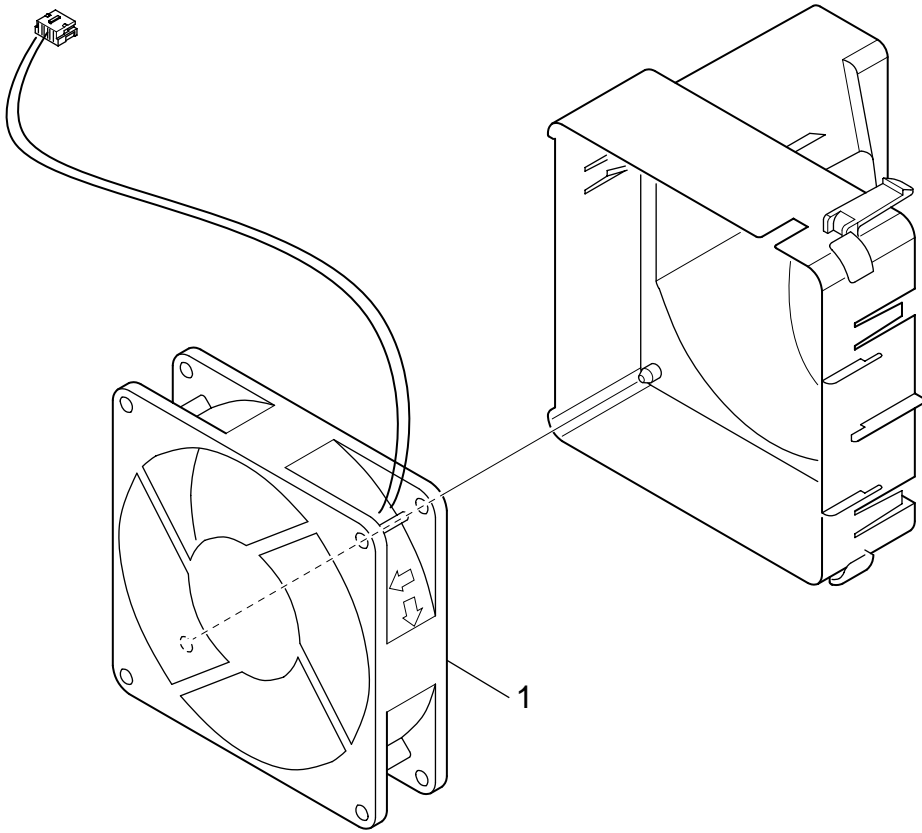
MPT-Unit



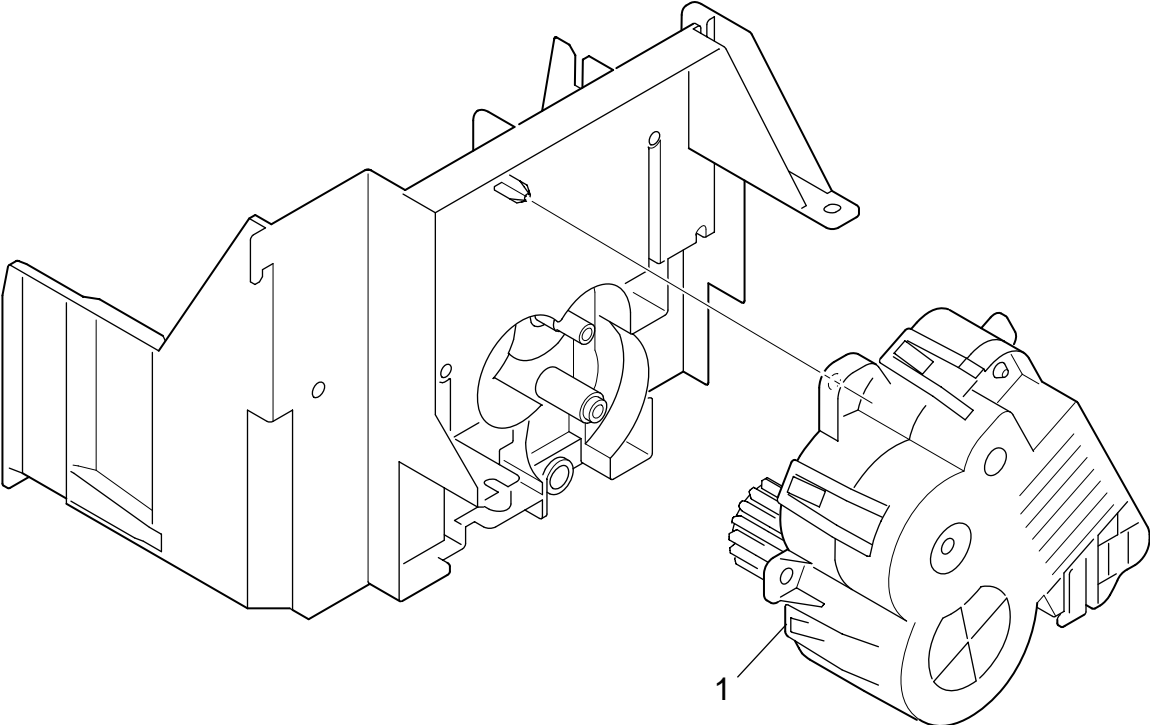
Motor-Assy-JobOFF



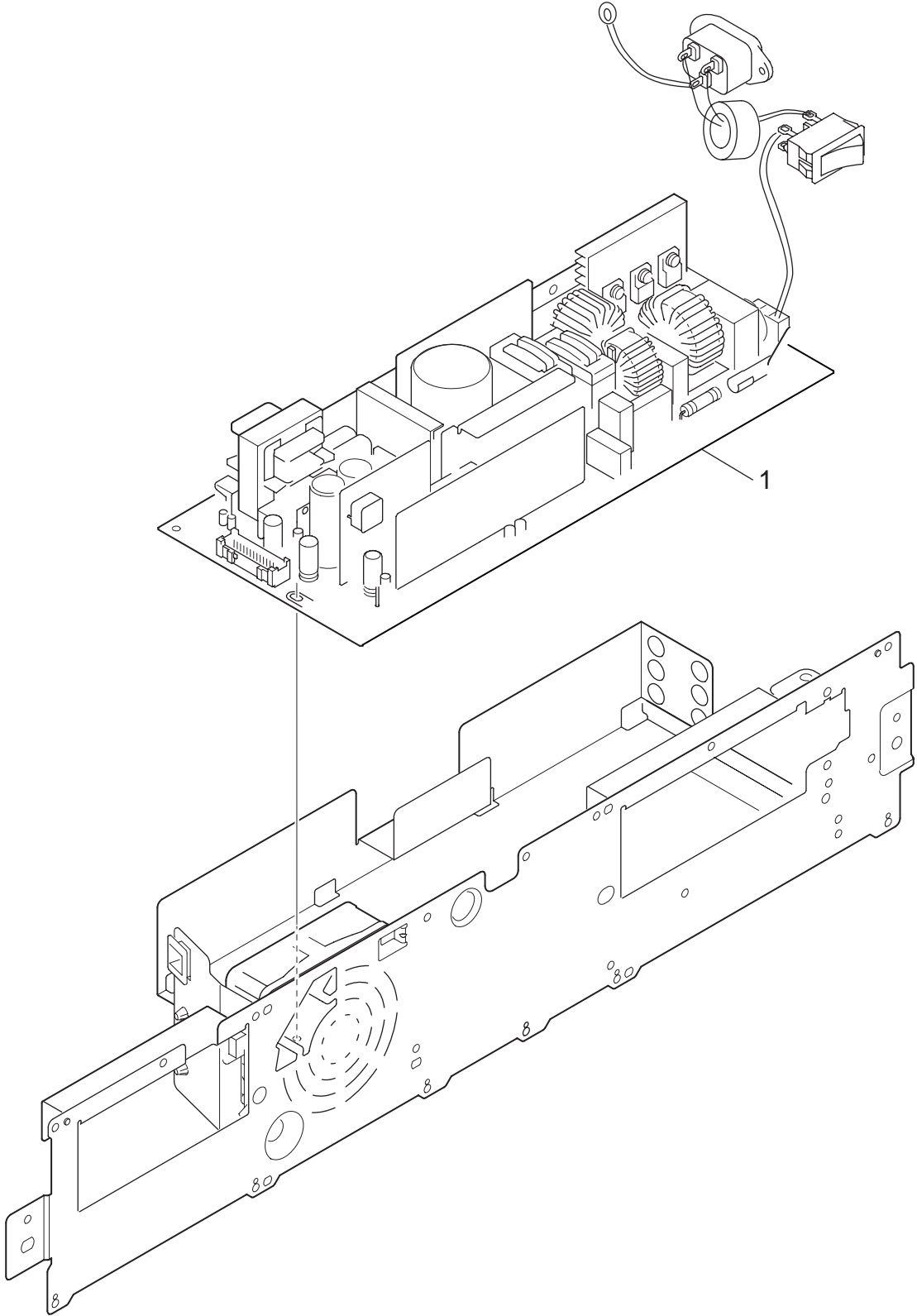
Motor-Assy-FAN



Frame-Assy-TC-R



Board-Power-Sub-Assy



Box-Main-PCB-Assy

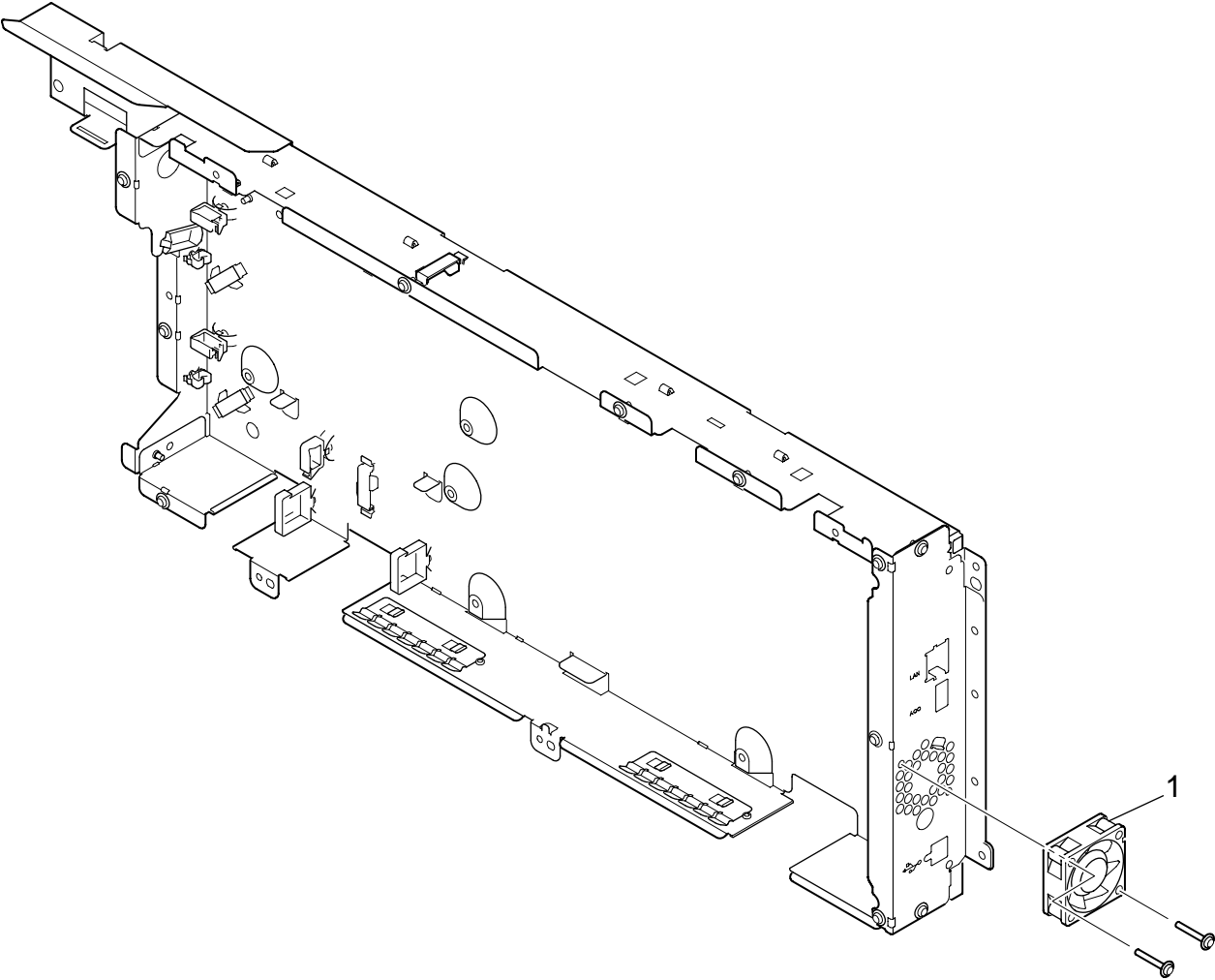
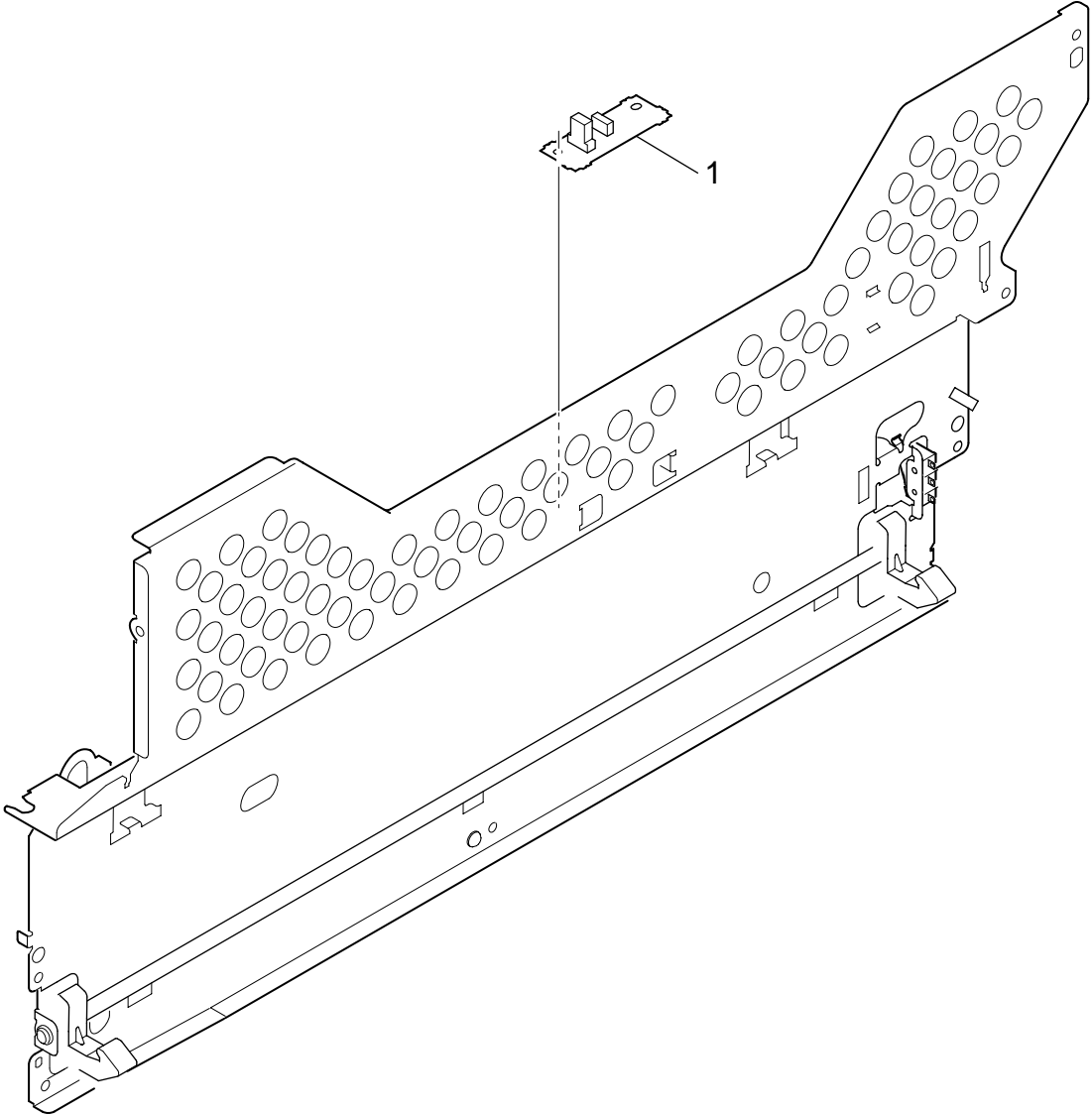
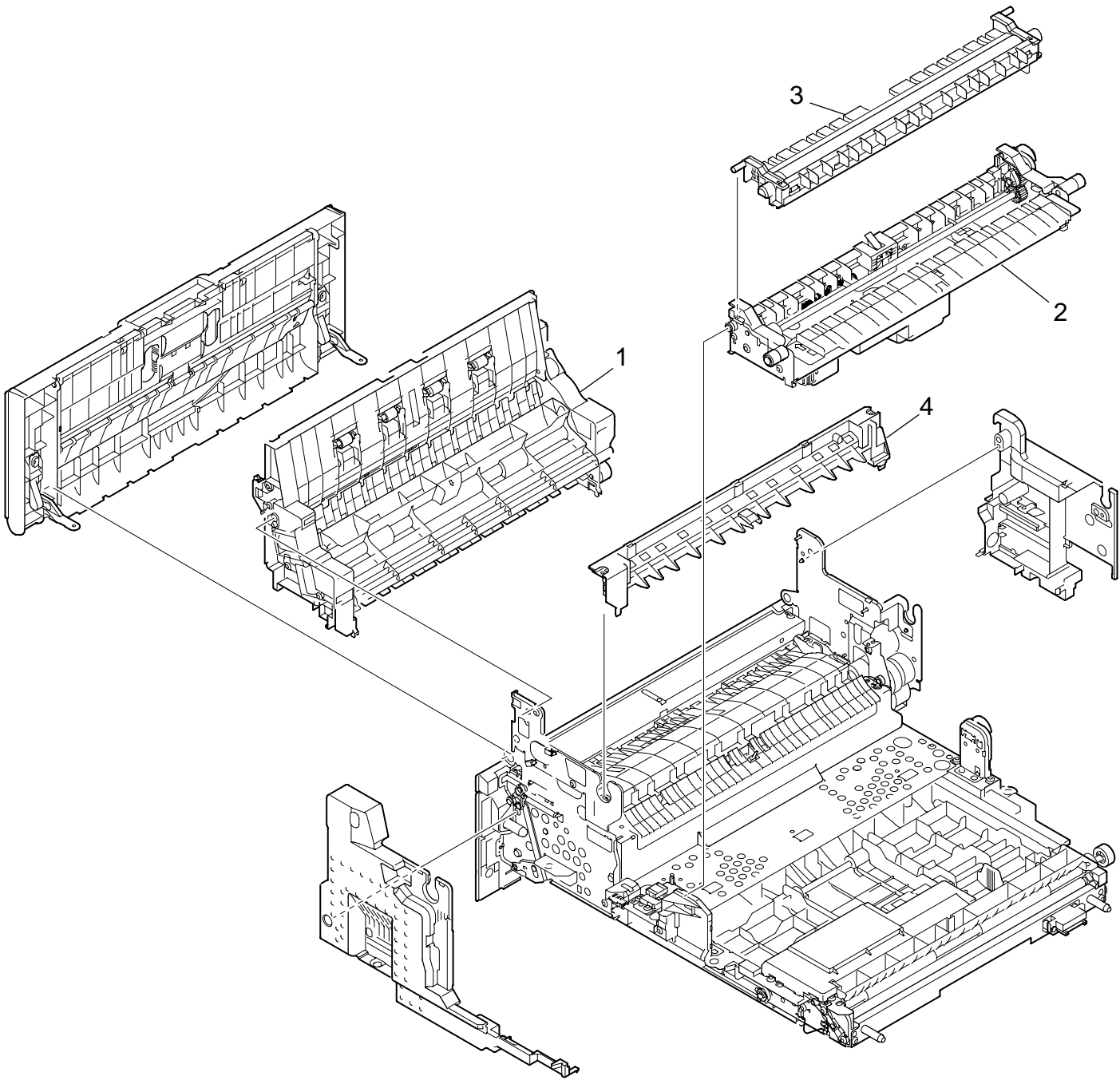


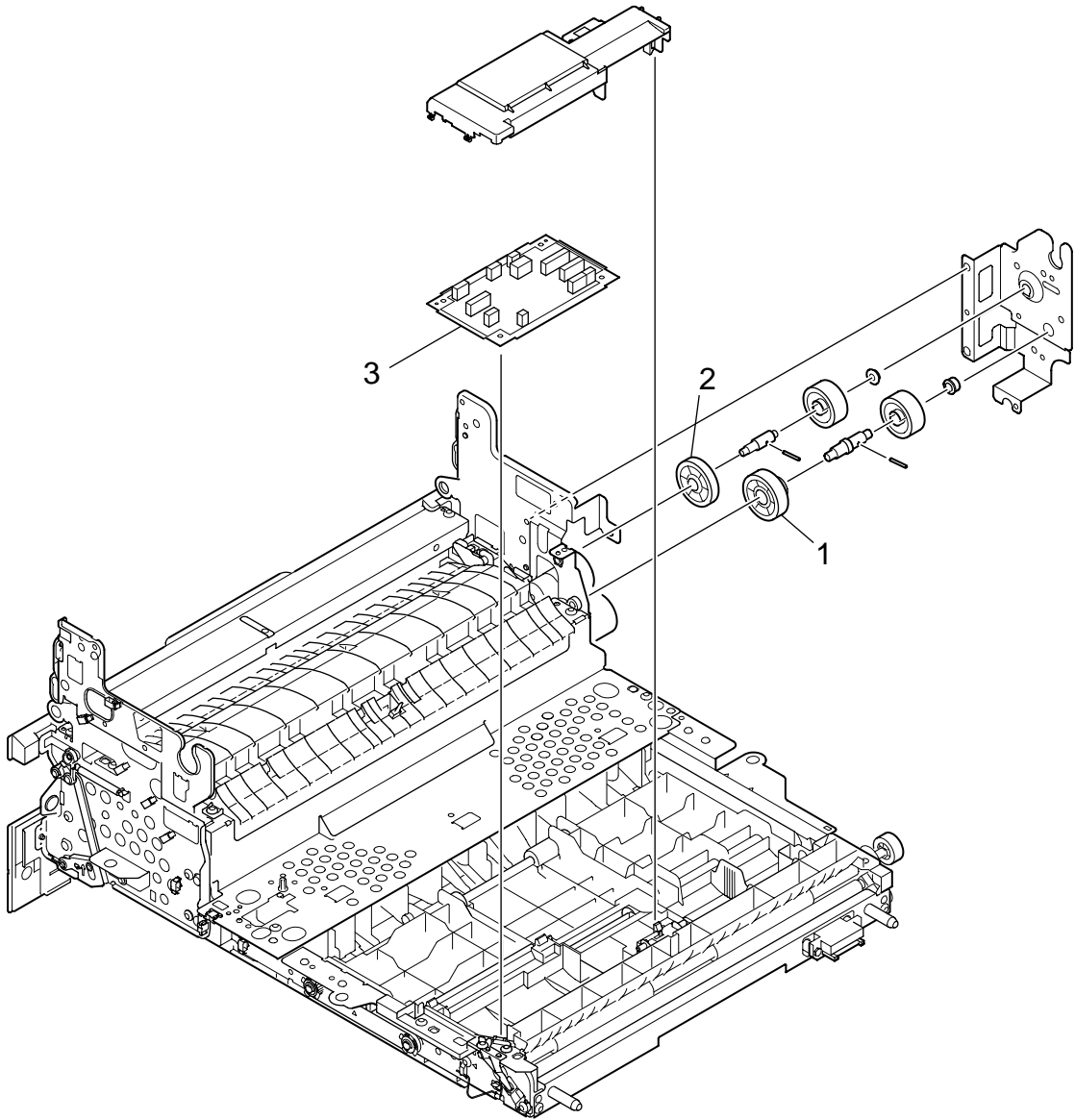
Plate-Assy-Side-RA



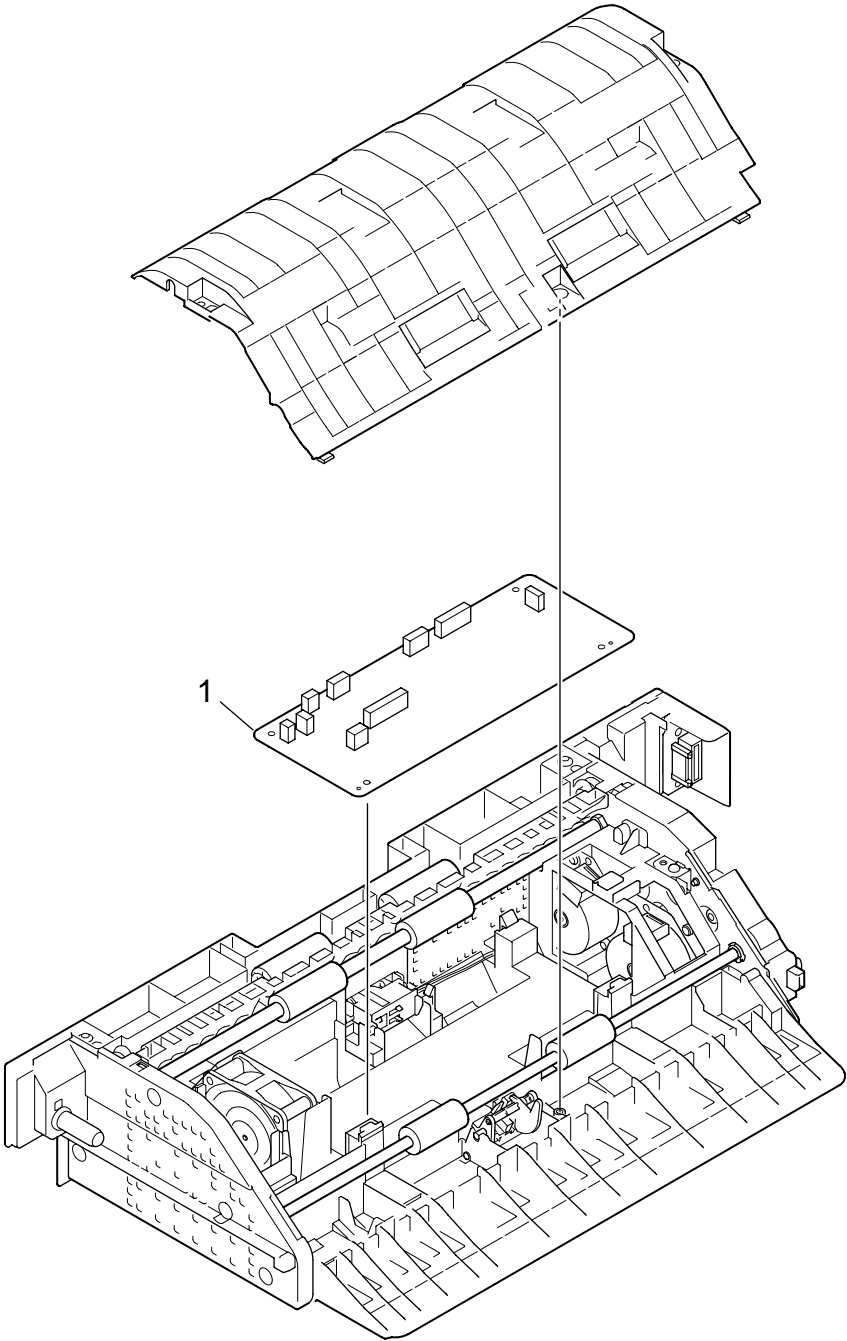
EJ-Rail-Assy



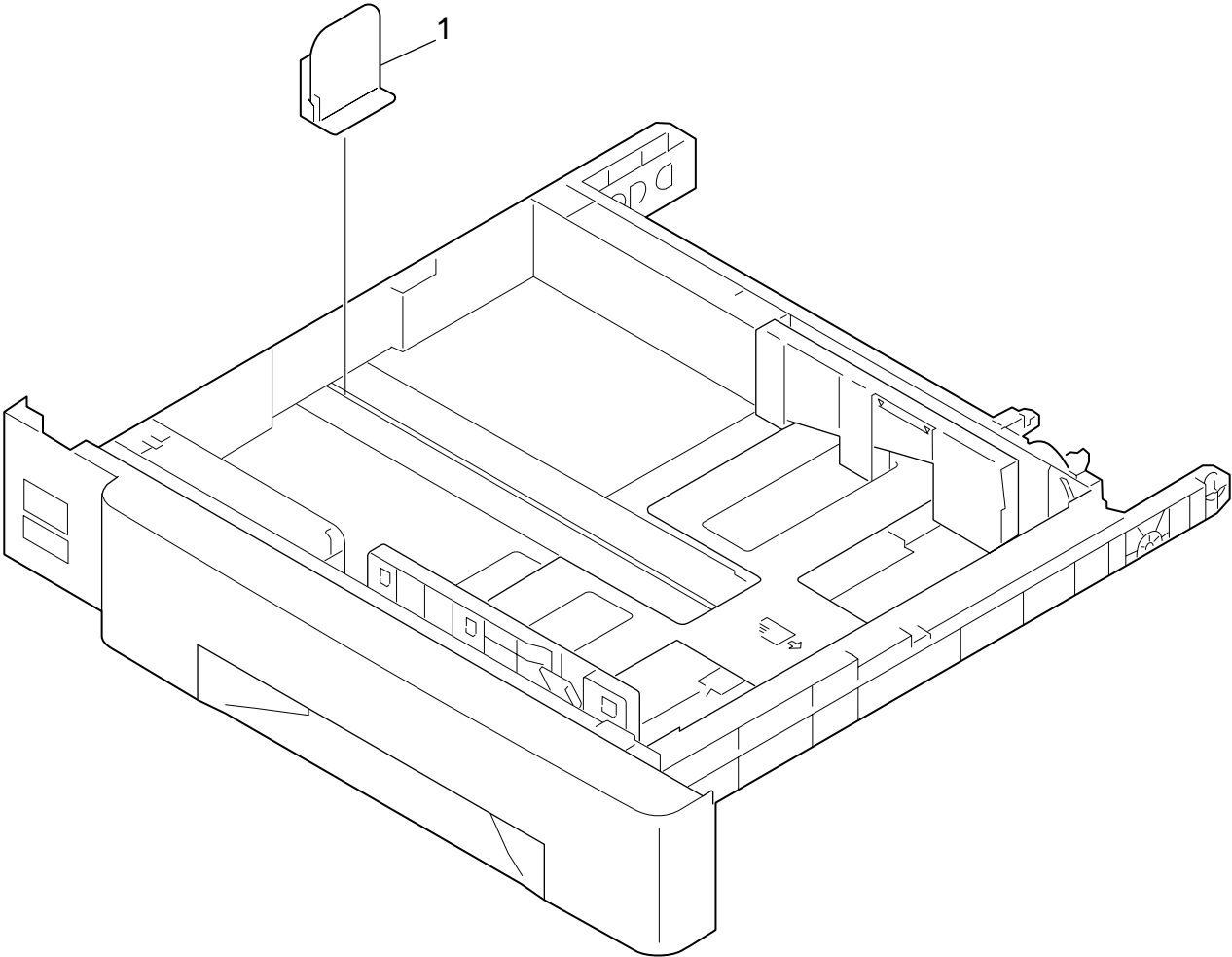
LSD-Unit



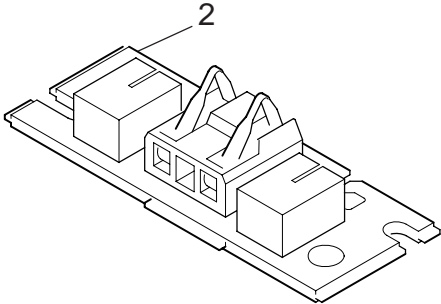
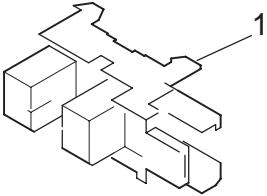
Duplex-Unit



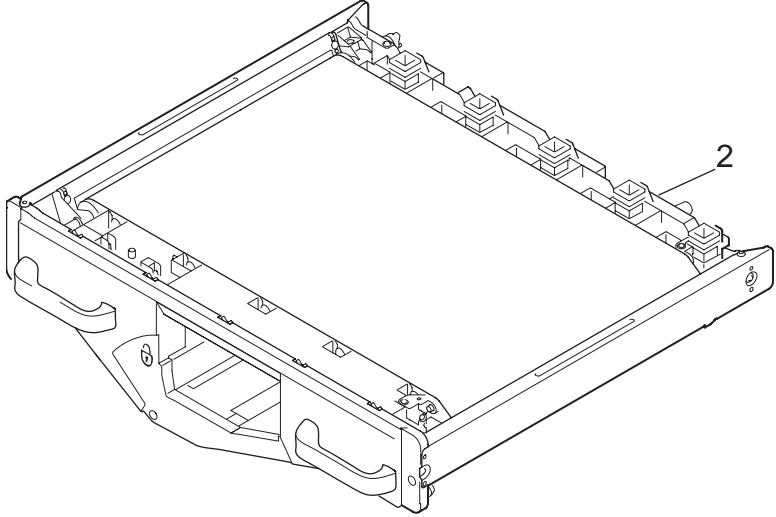
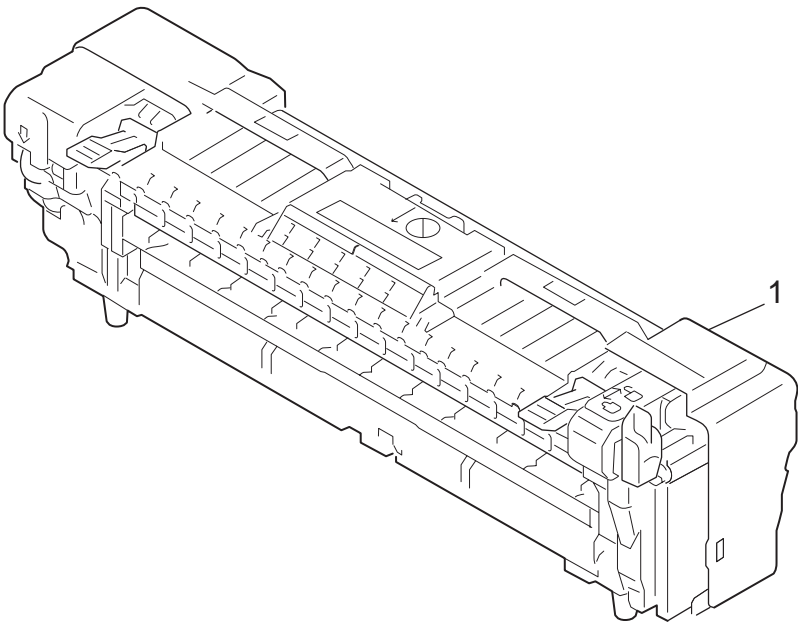
Case-Cassette-Assy



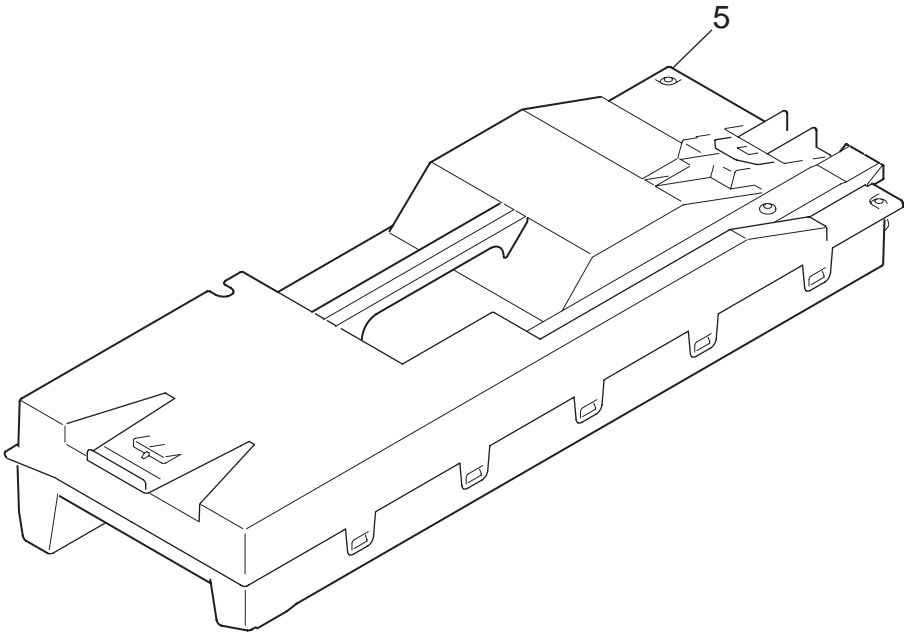
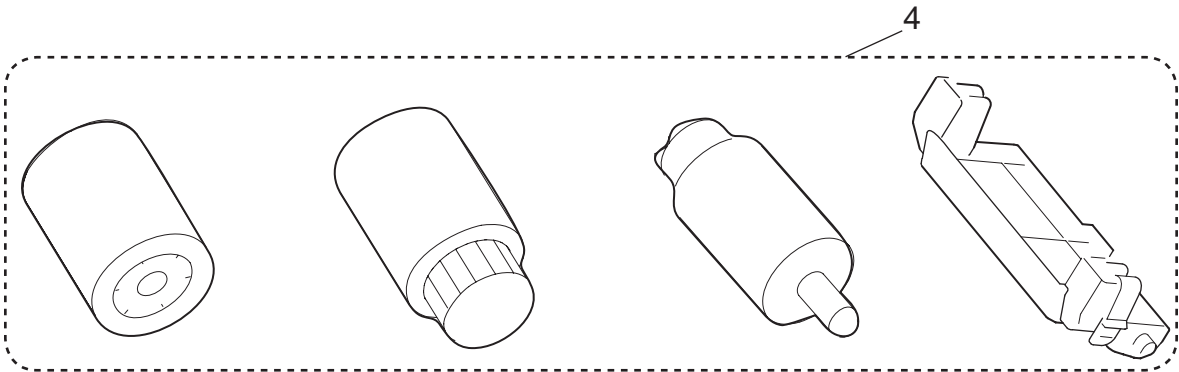
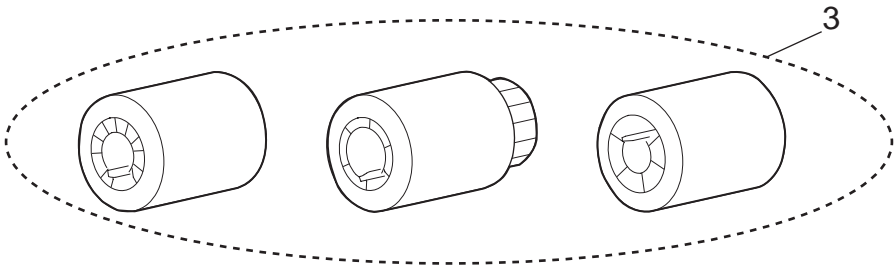
Common



Consumable -1



Consumable -2



Appended parts

