

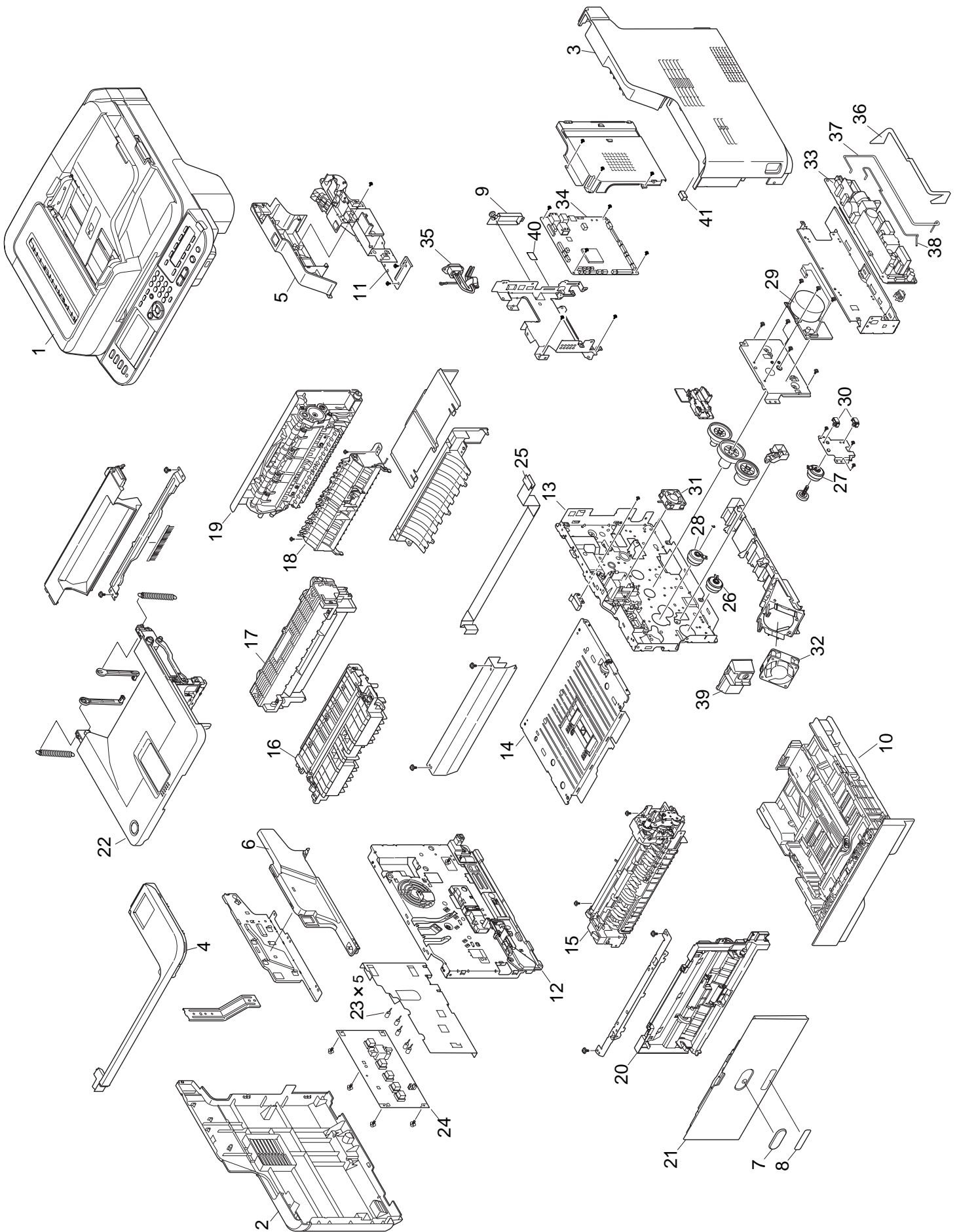
# OEL Spare Parts Drawing

MB441/MB451/MB451w/  
MB461/MB471/MB471w/  
MB491/ES4161MFP/ES4191MFP

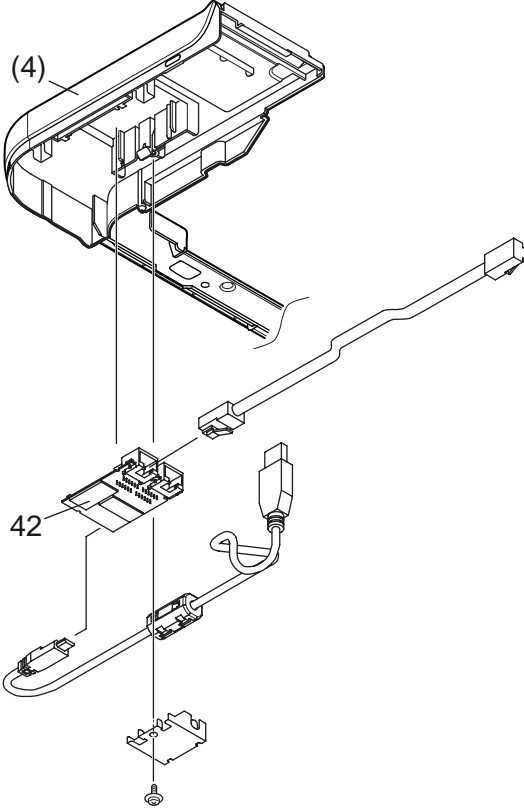


Revision 4

# MFP-Unit (1/2)



**MFP-Unit (2/2) (for MB451w/MB471w)**



**Cassete-Assy(250sht)**

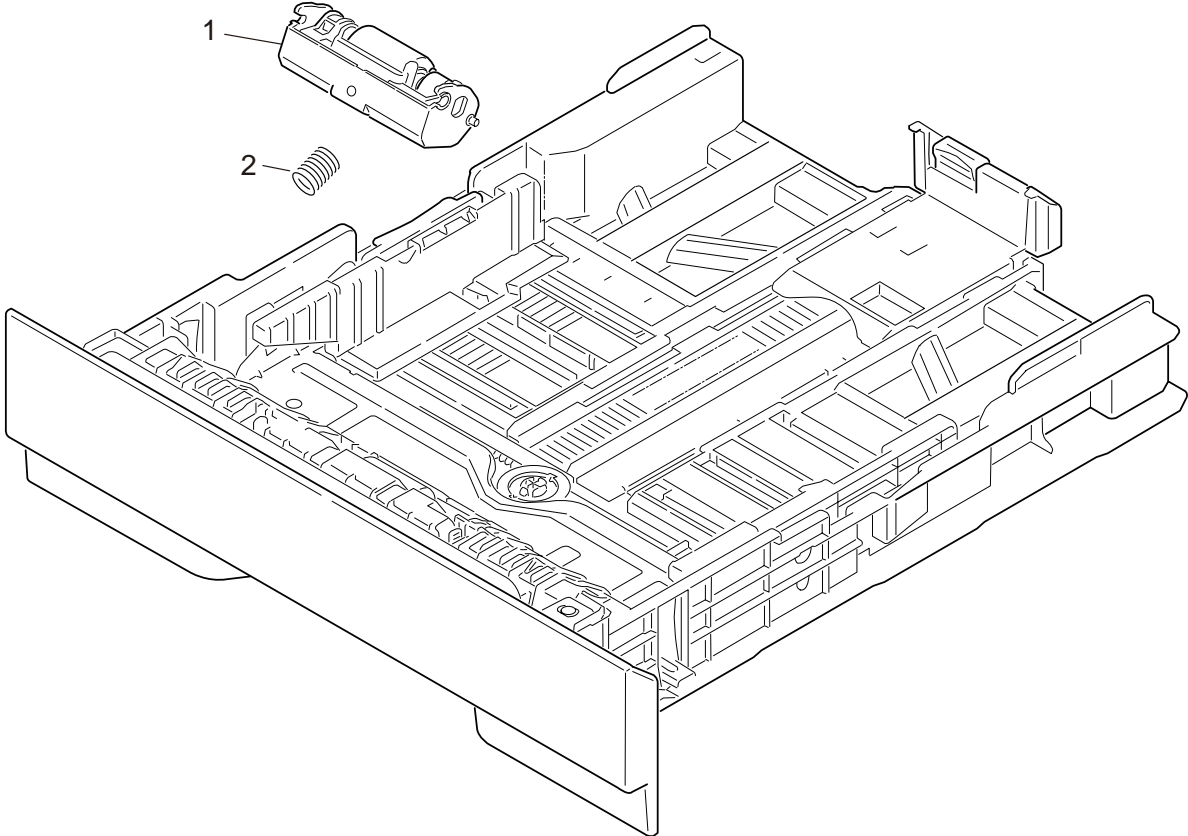


Plate-Assy-Side-L

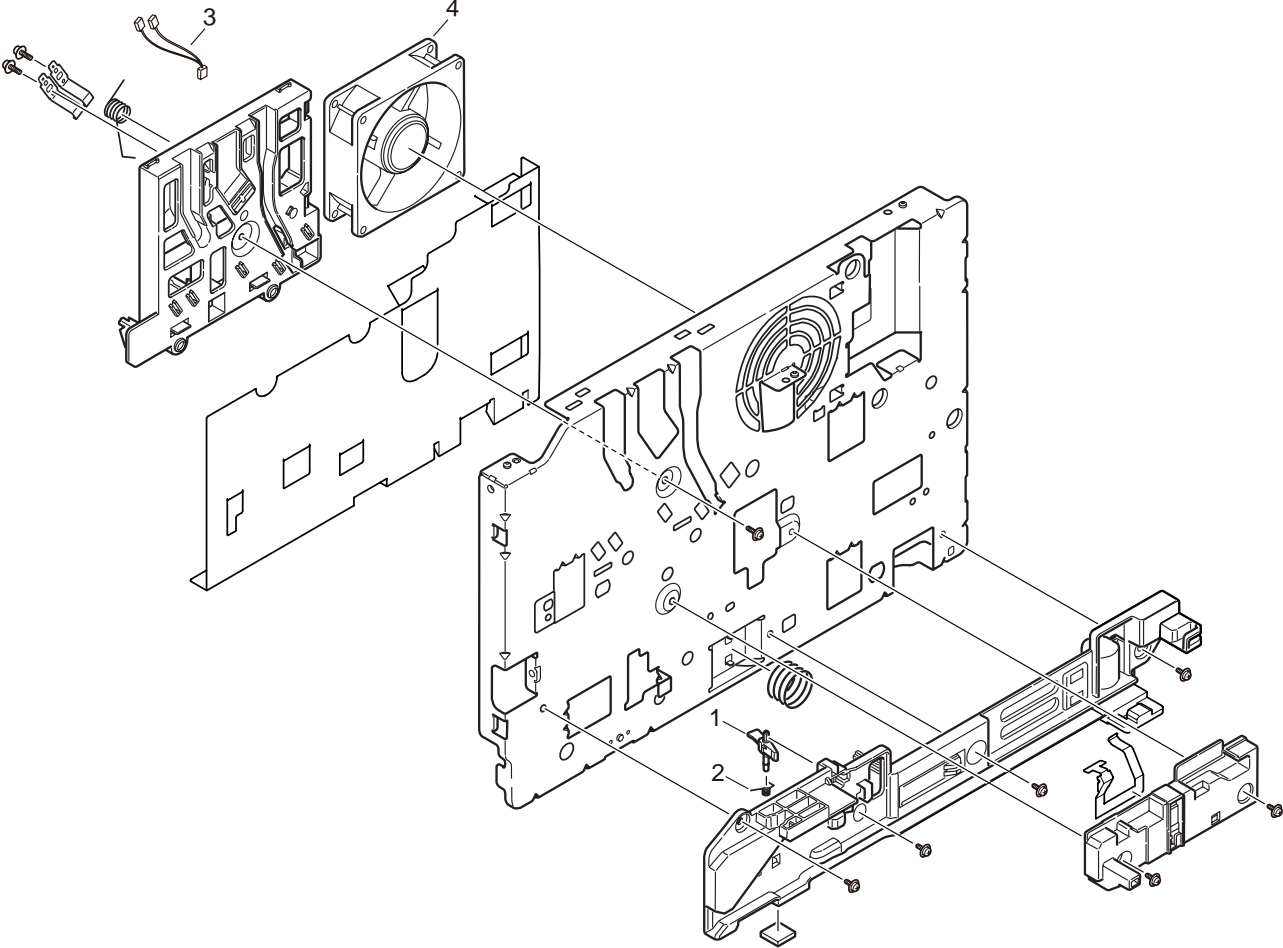
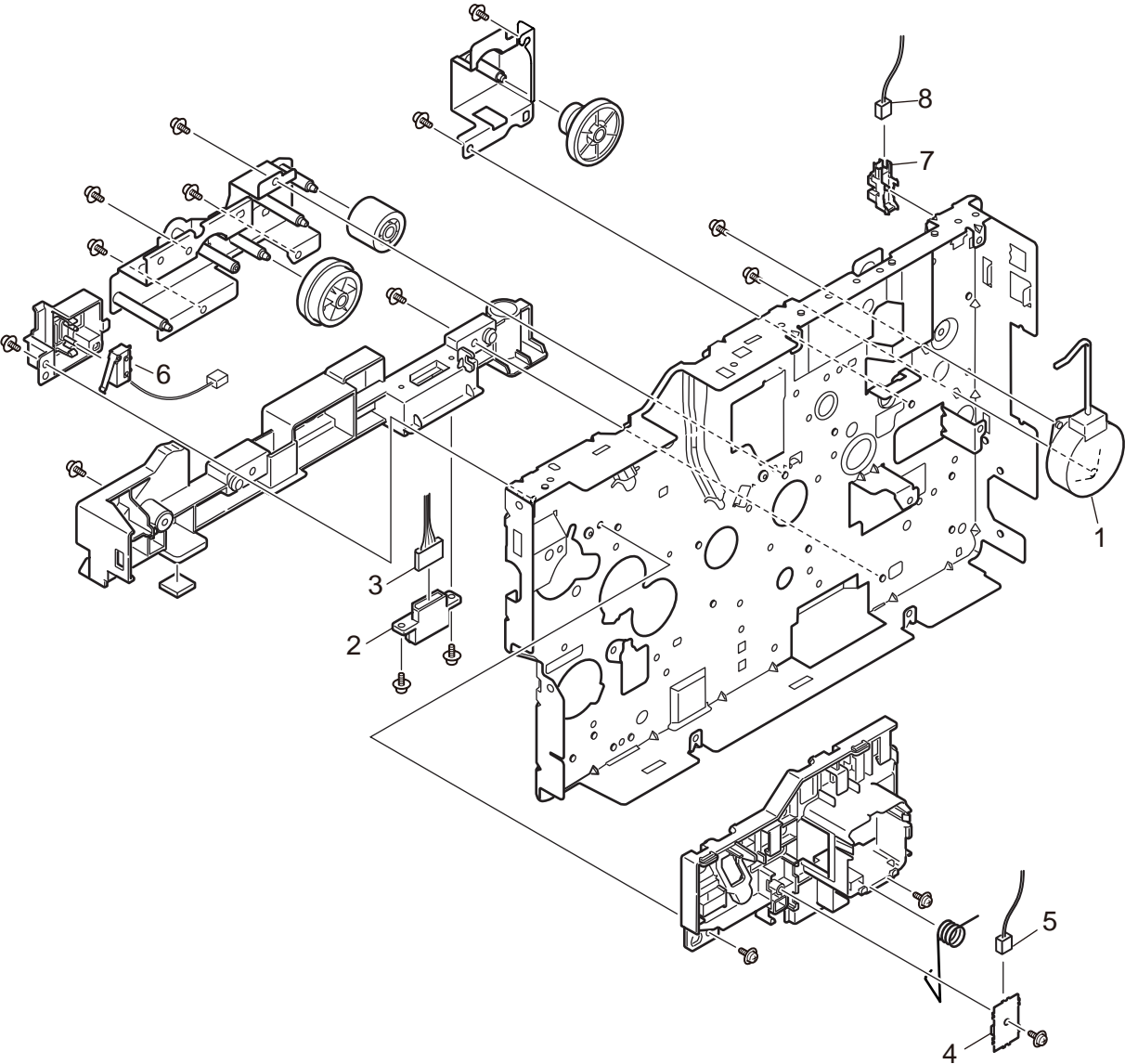
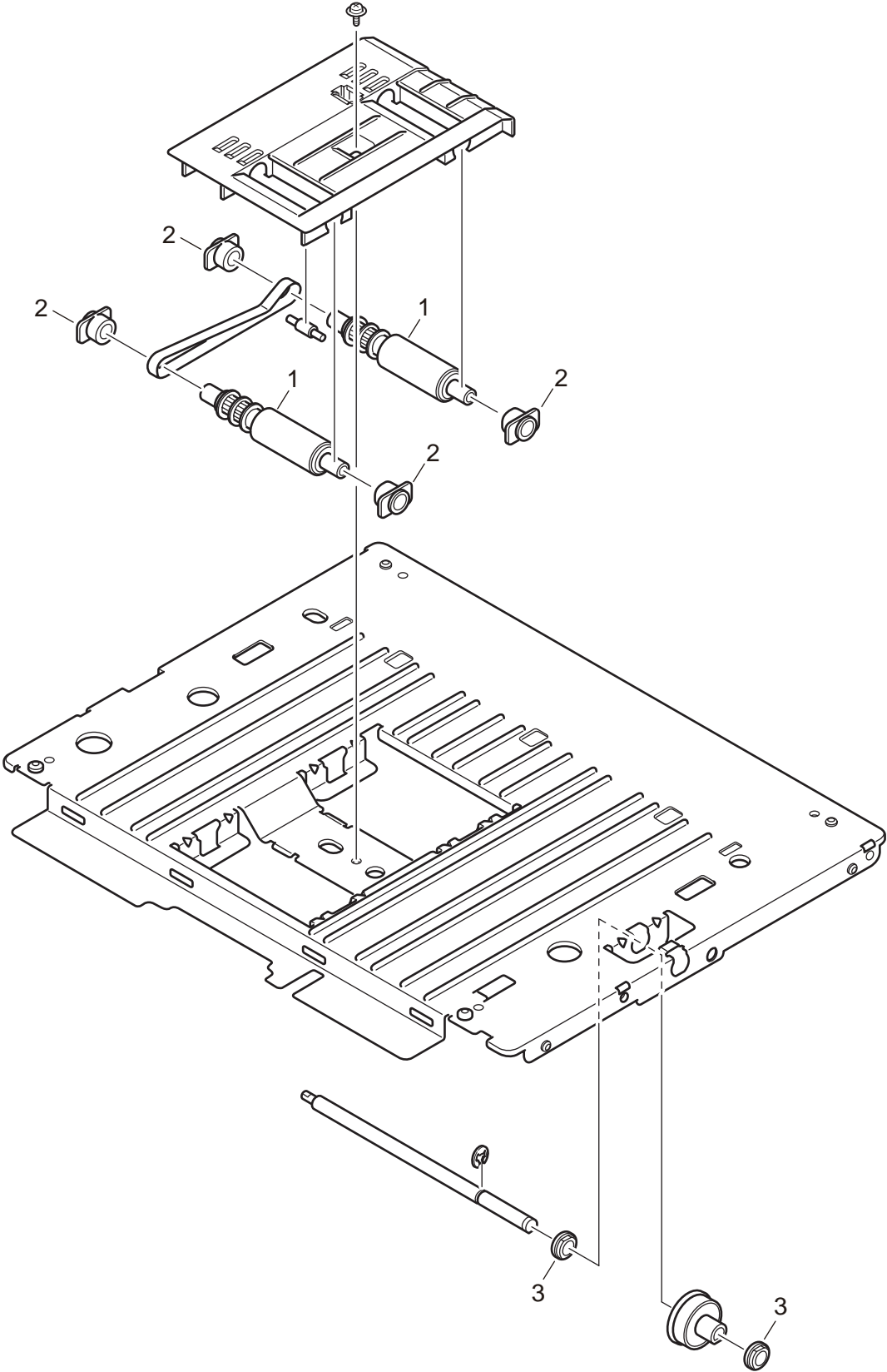


Plate-Assy-Side-R

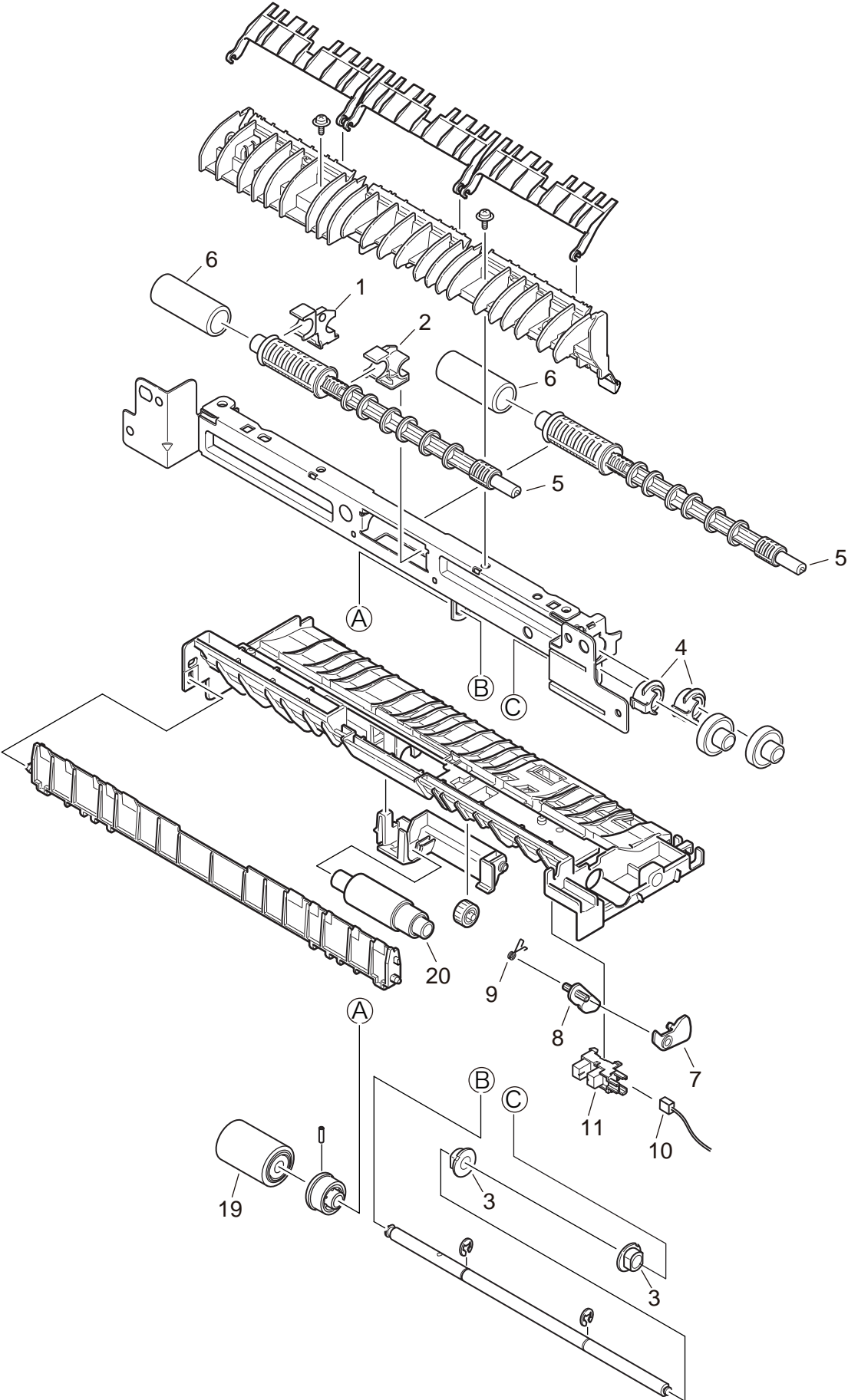


Duplex-Assy



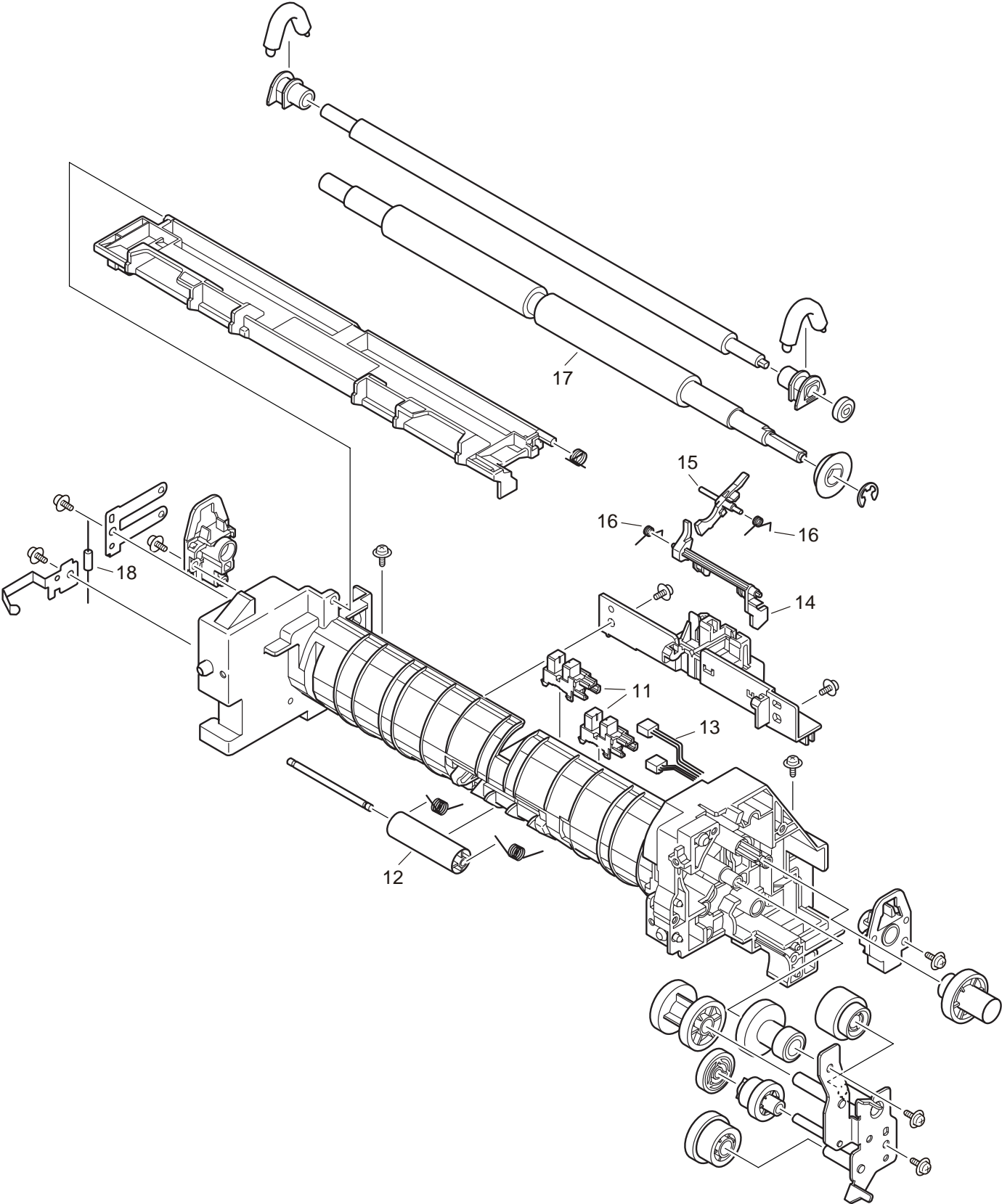
Front-Assy-PN296

Front-Assy-PN297

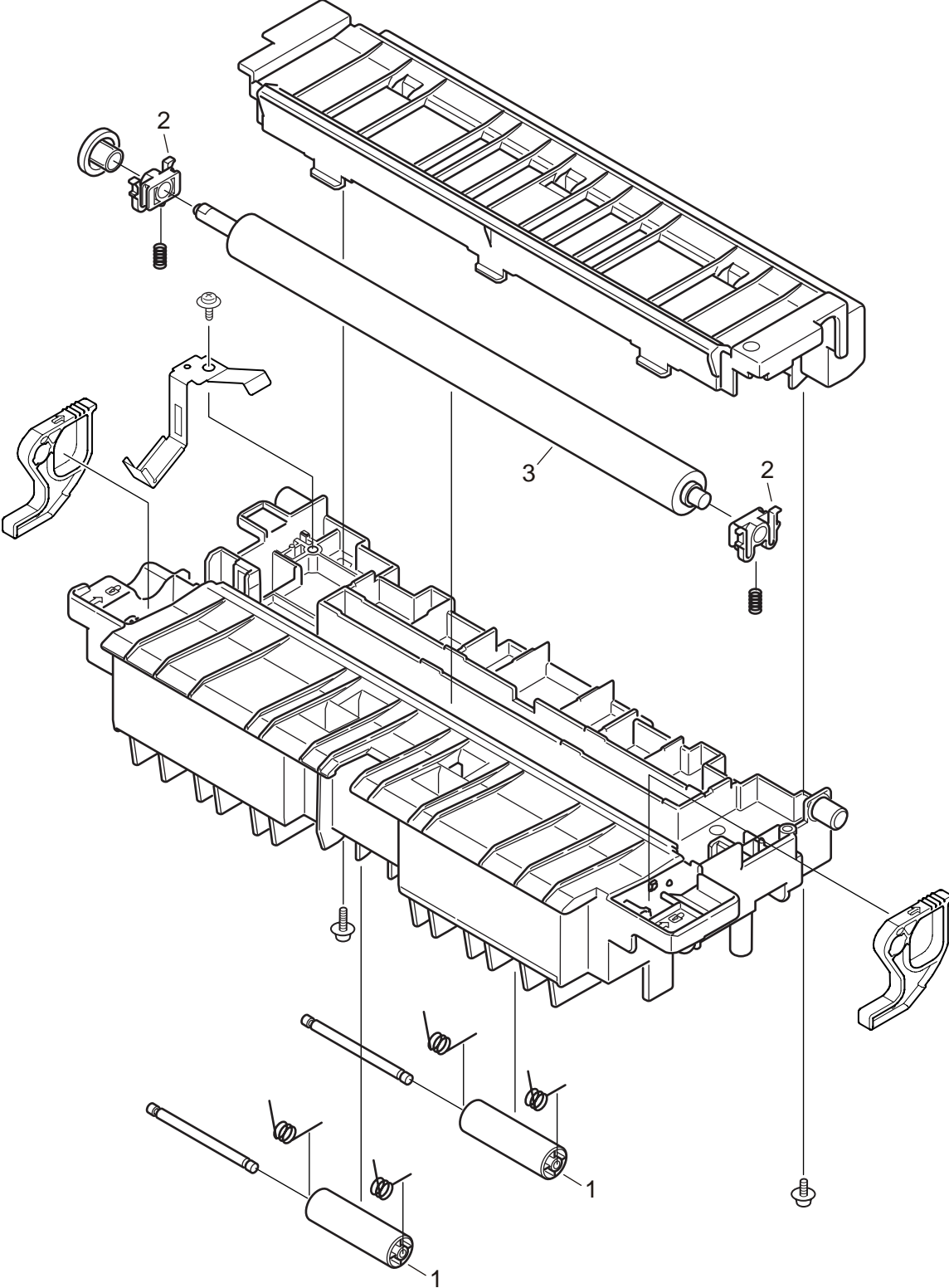




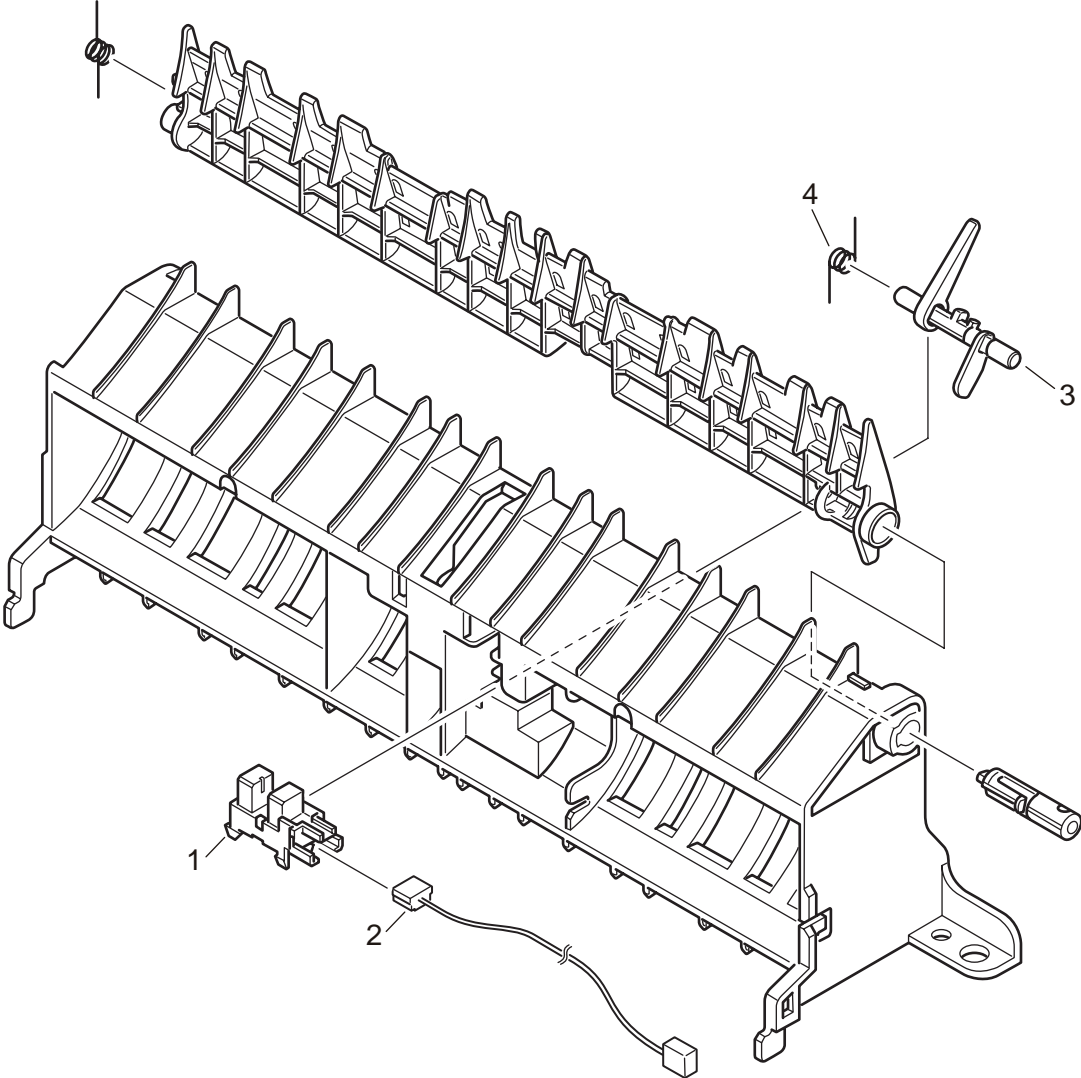
Front-Assy\_2



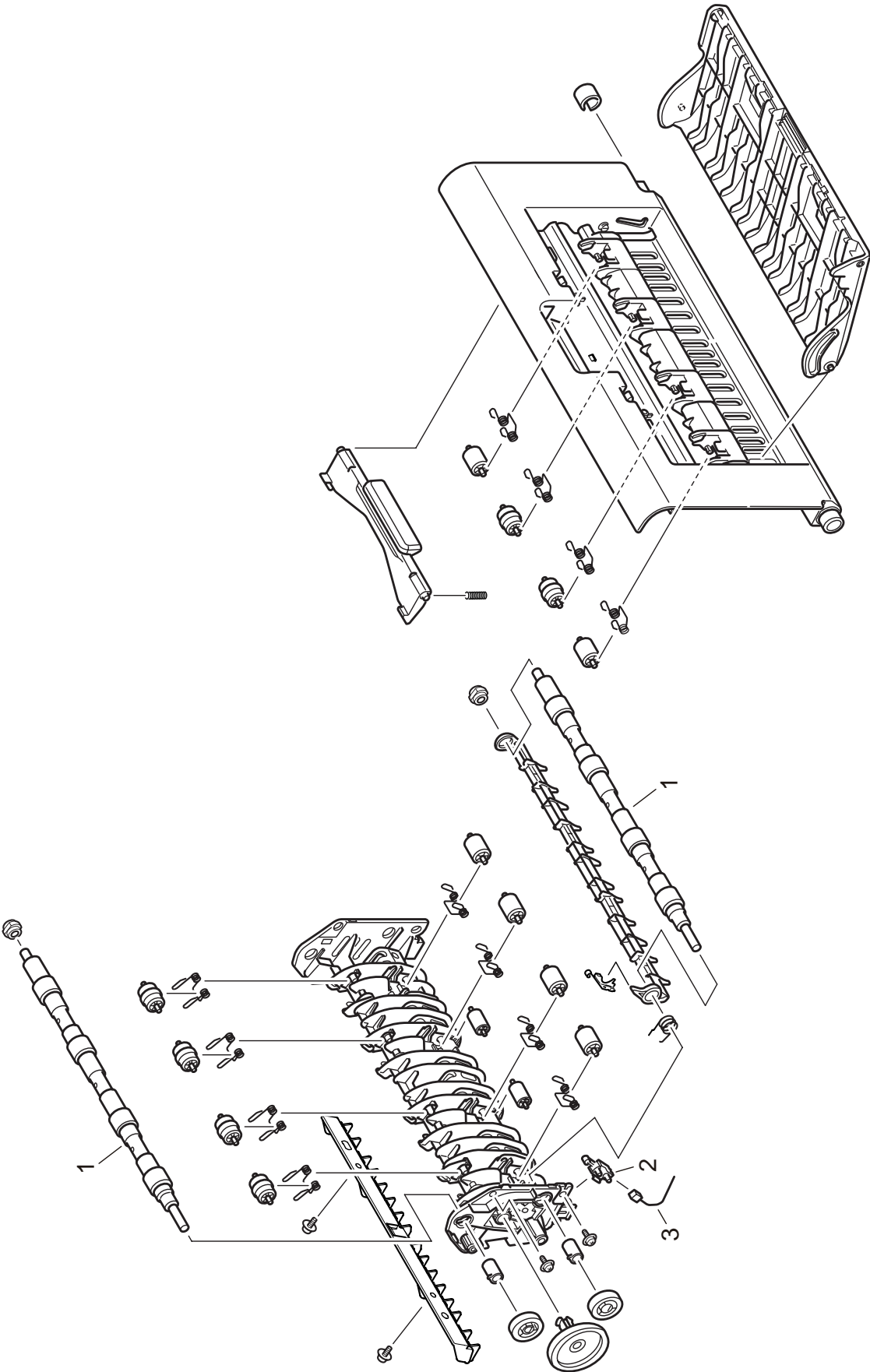
Frame-Assy-TR



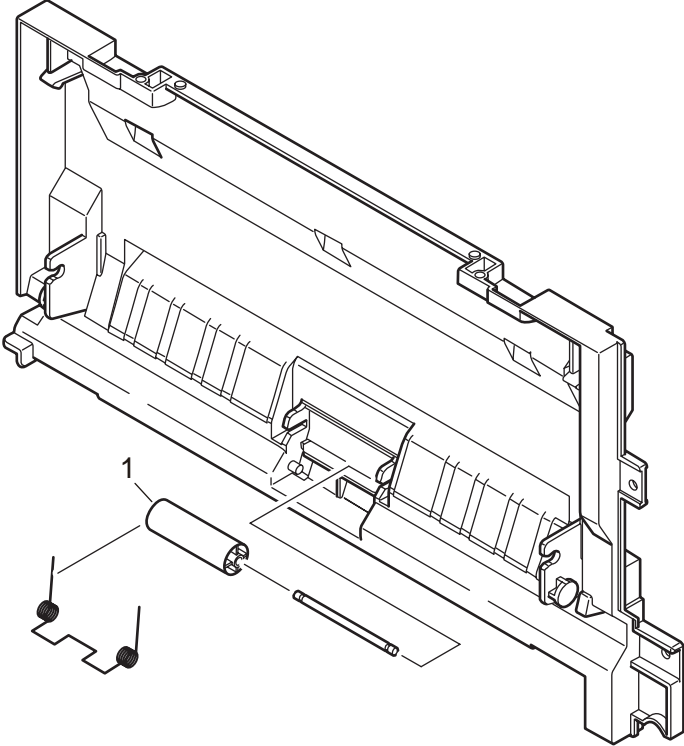
Guide-Eject-Lower-Assy



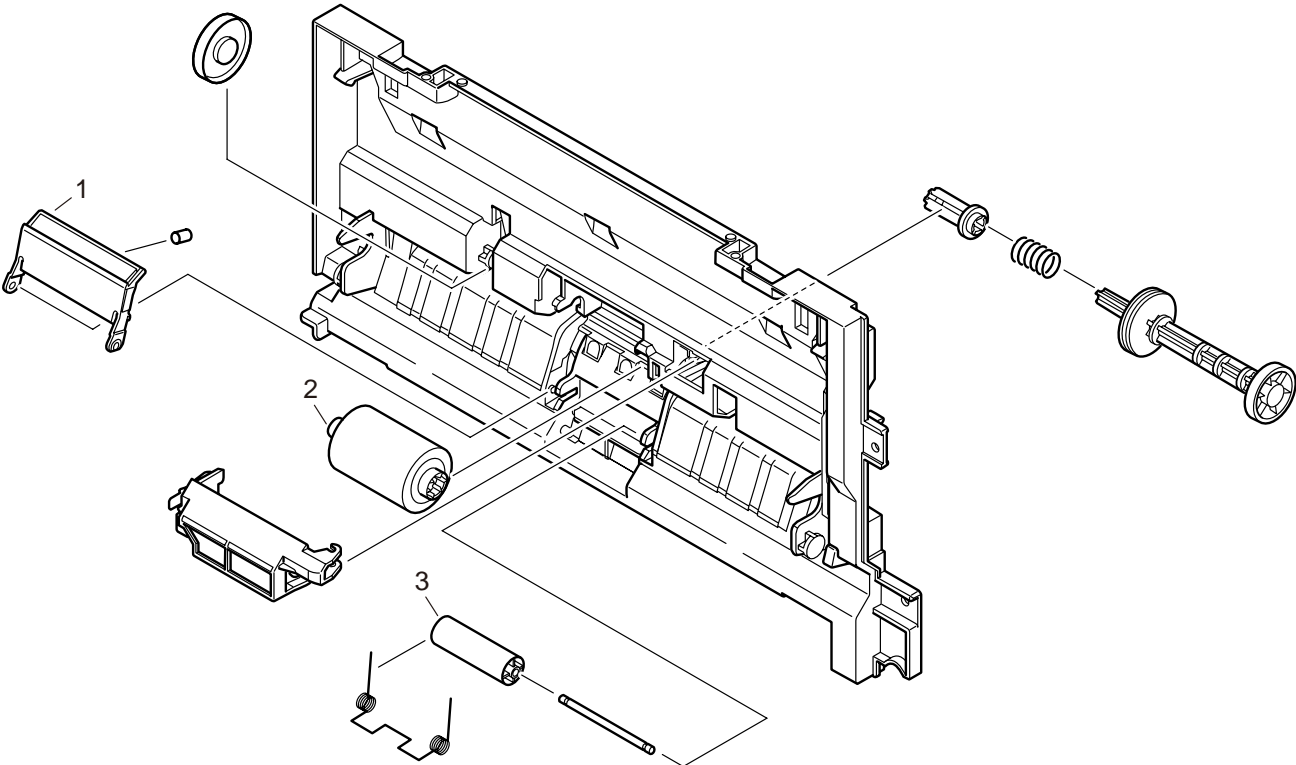
Frame-Assy-Rear



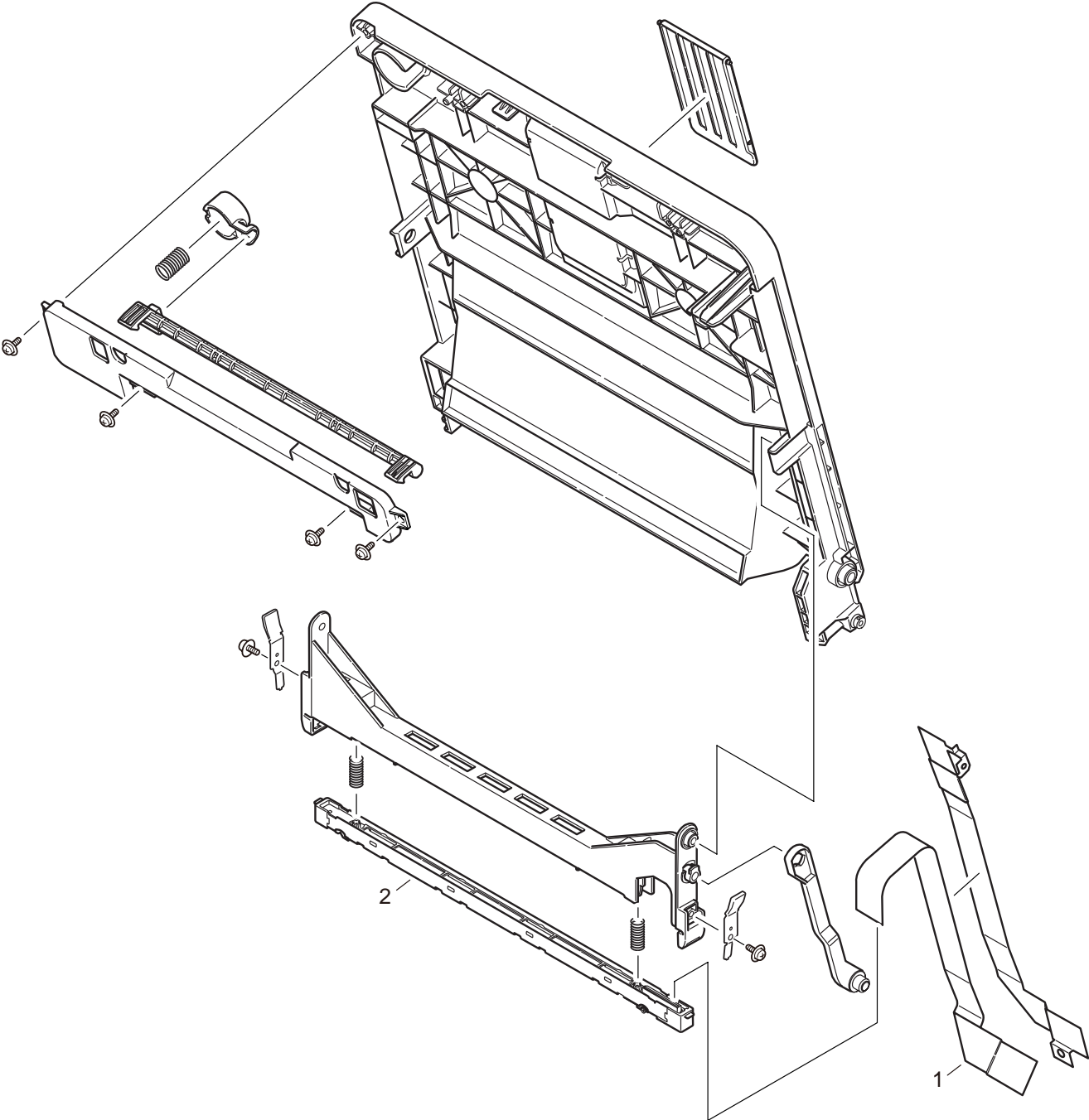
Manual-Assy



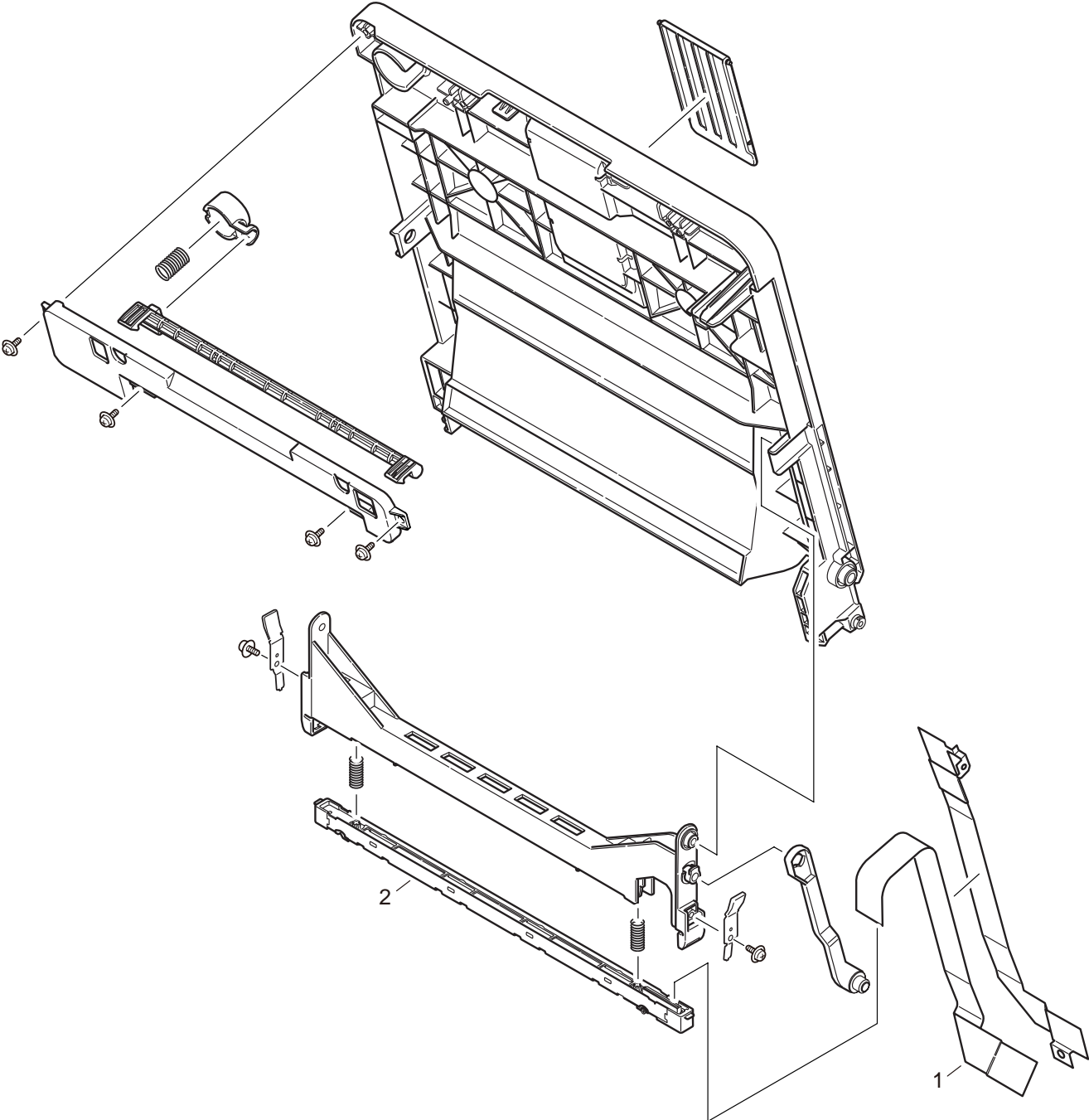
MPT-Assy



Cover-Assy-Stacker FN296

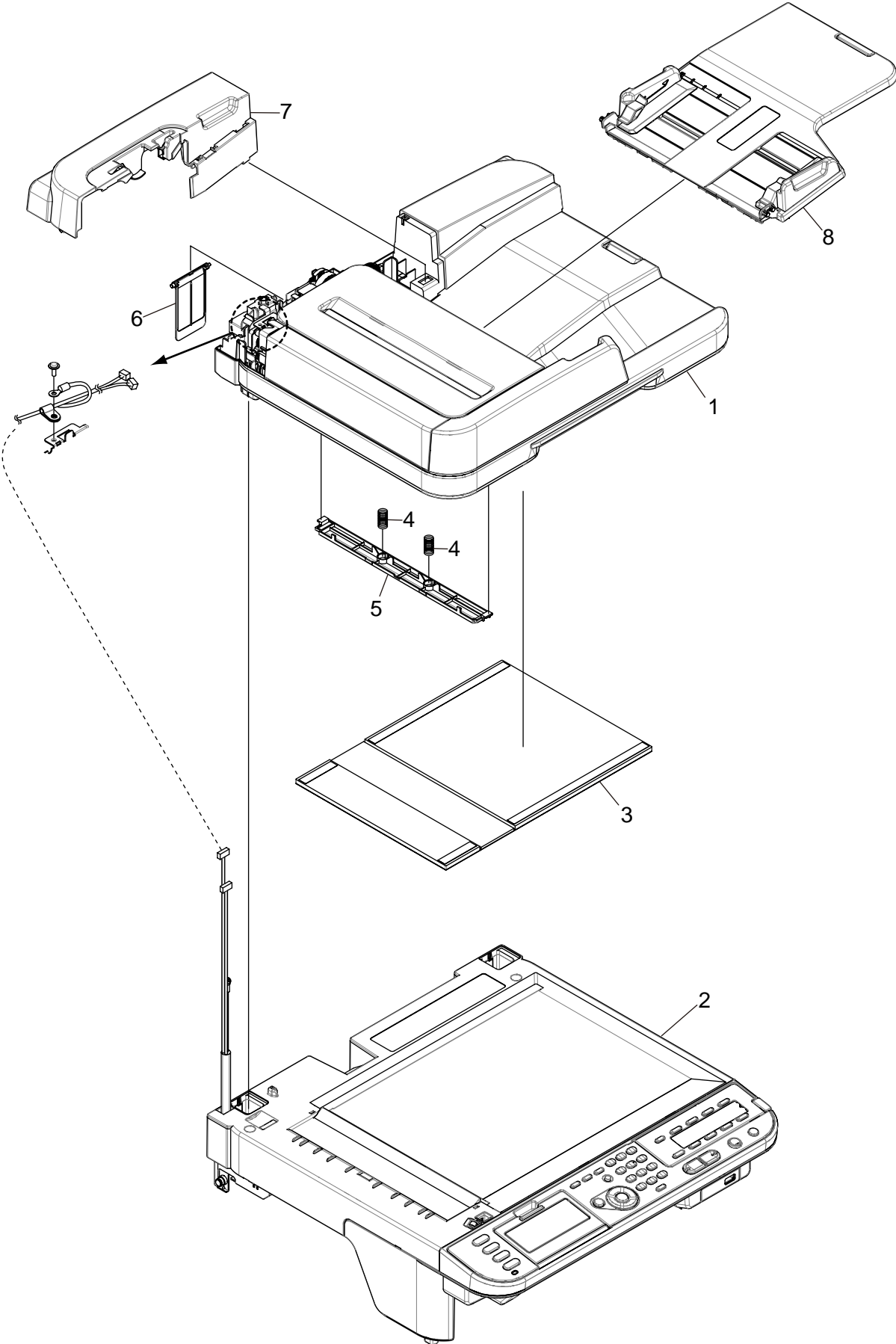


Cover-Assy-Stacker FN297

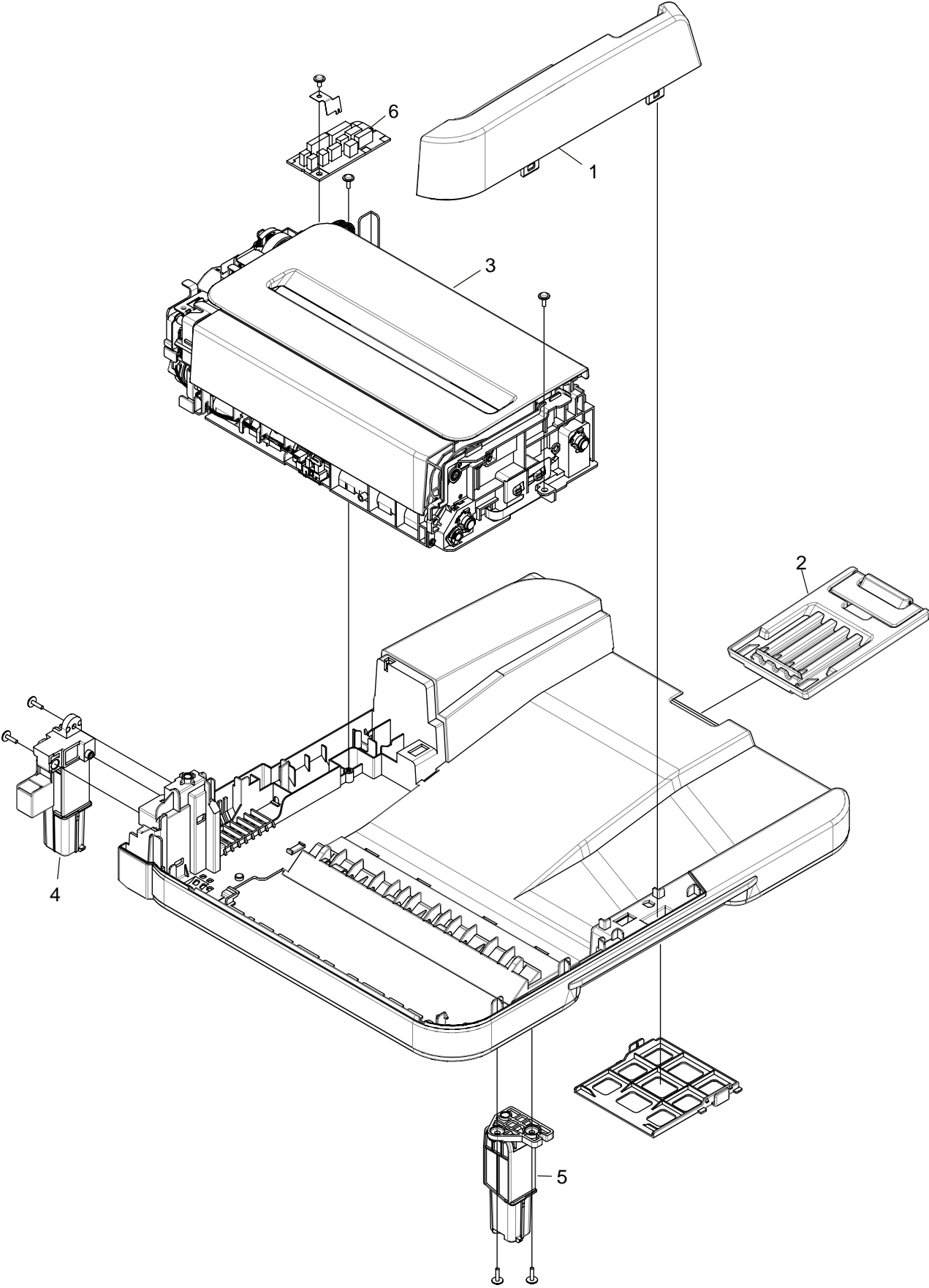




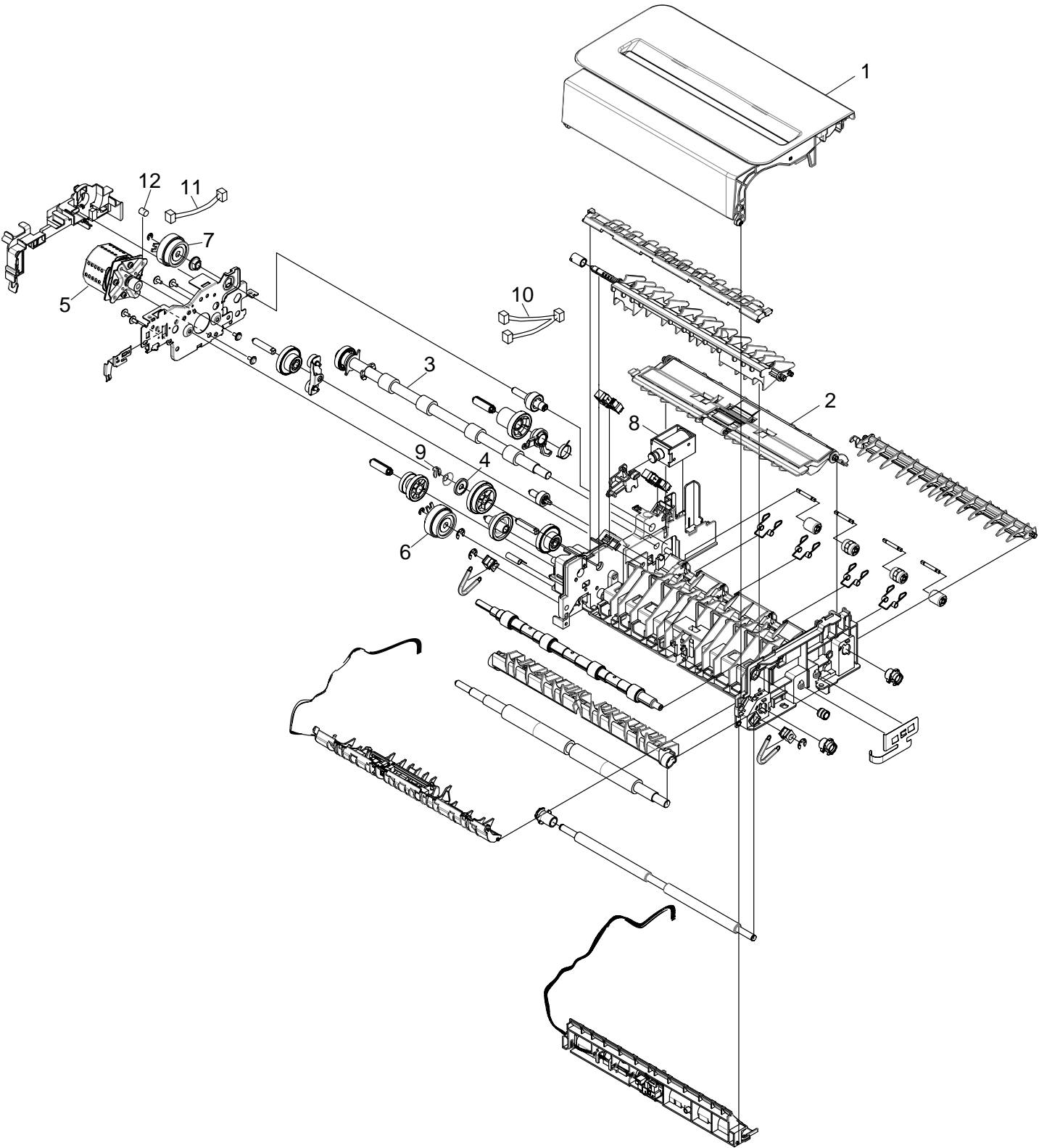
Scanner-Unit



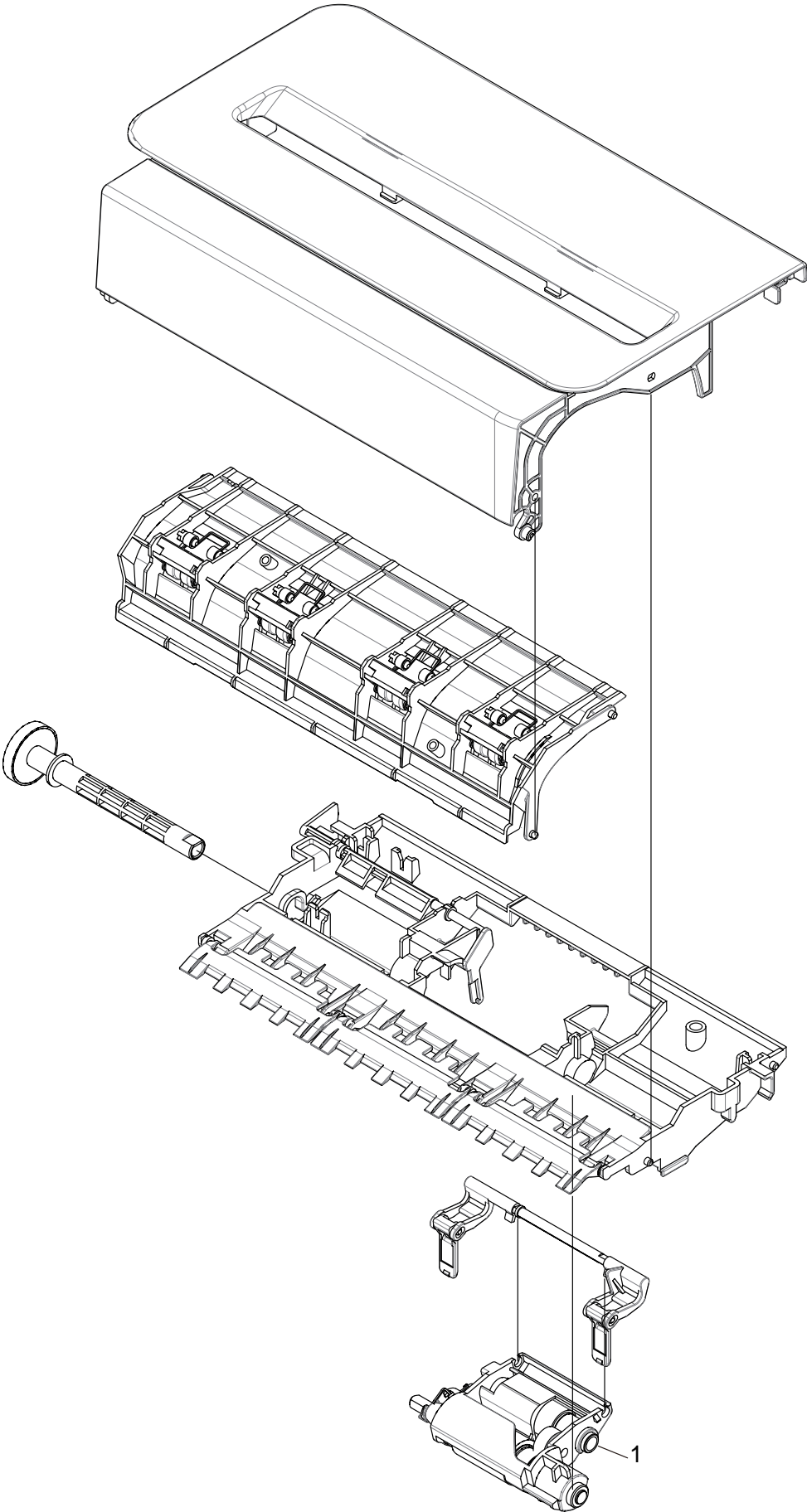
ADF-Unit



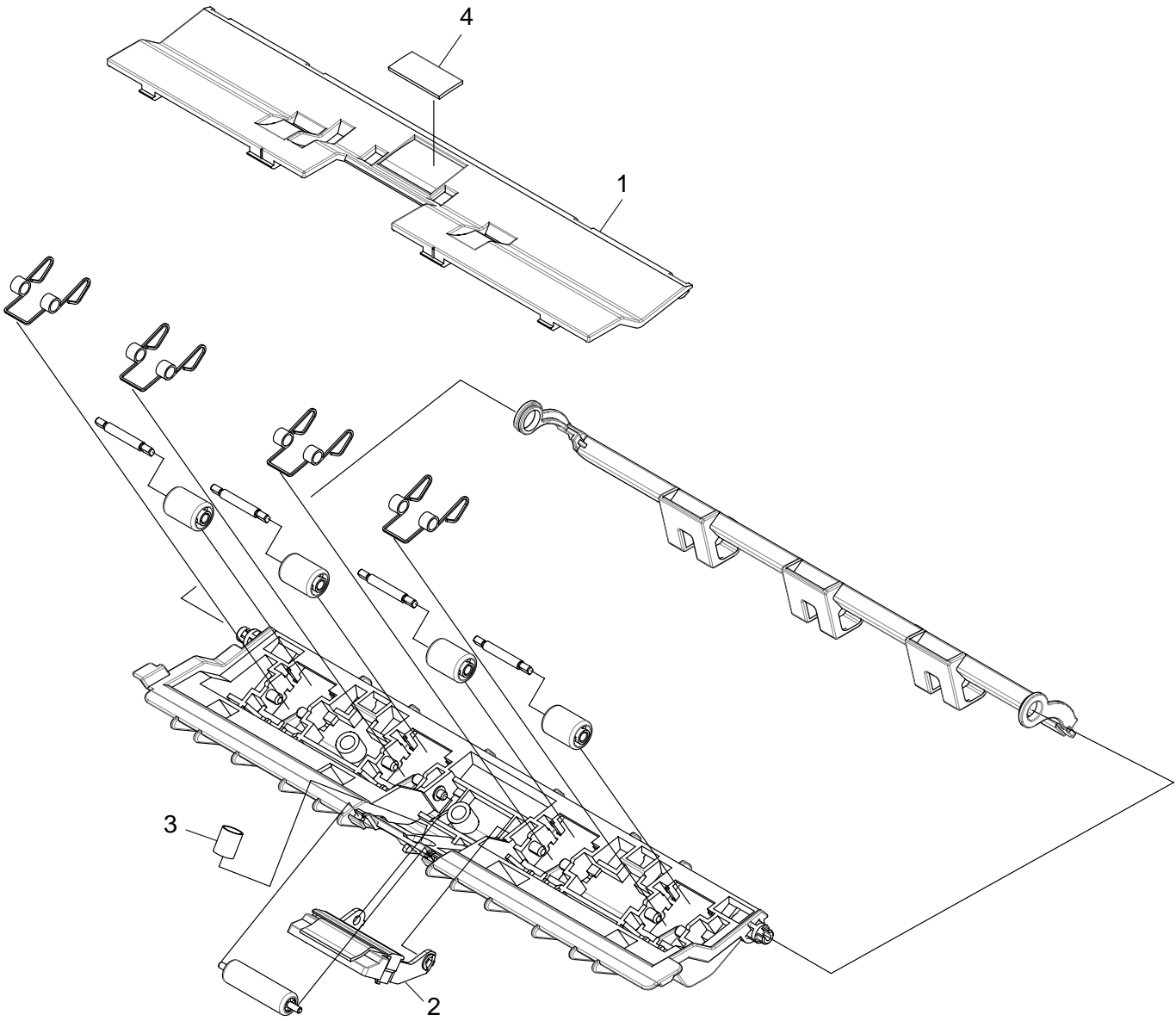
ADF-Assy



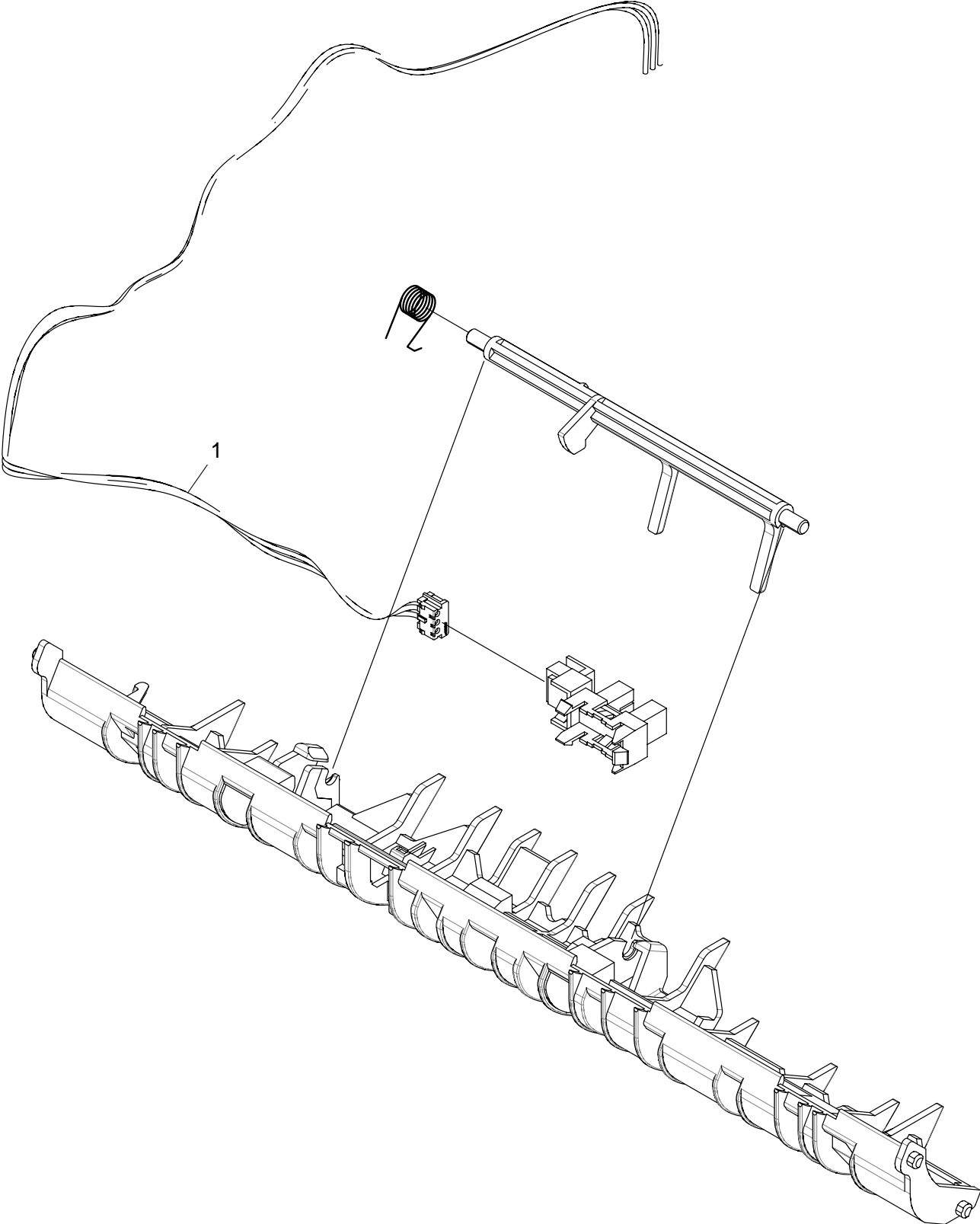
Cover-Assy-Top-ADF



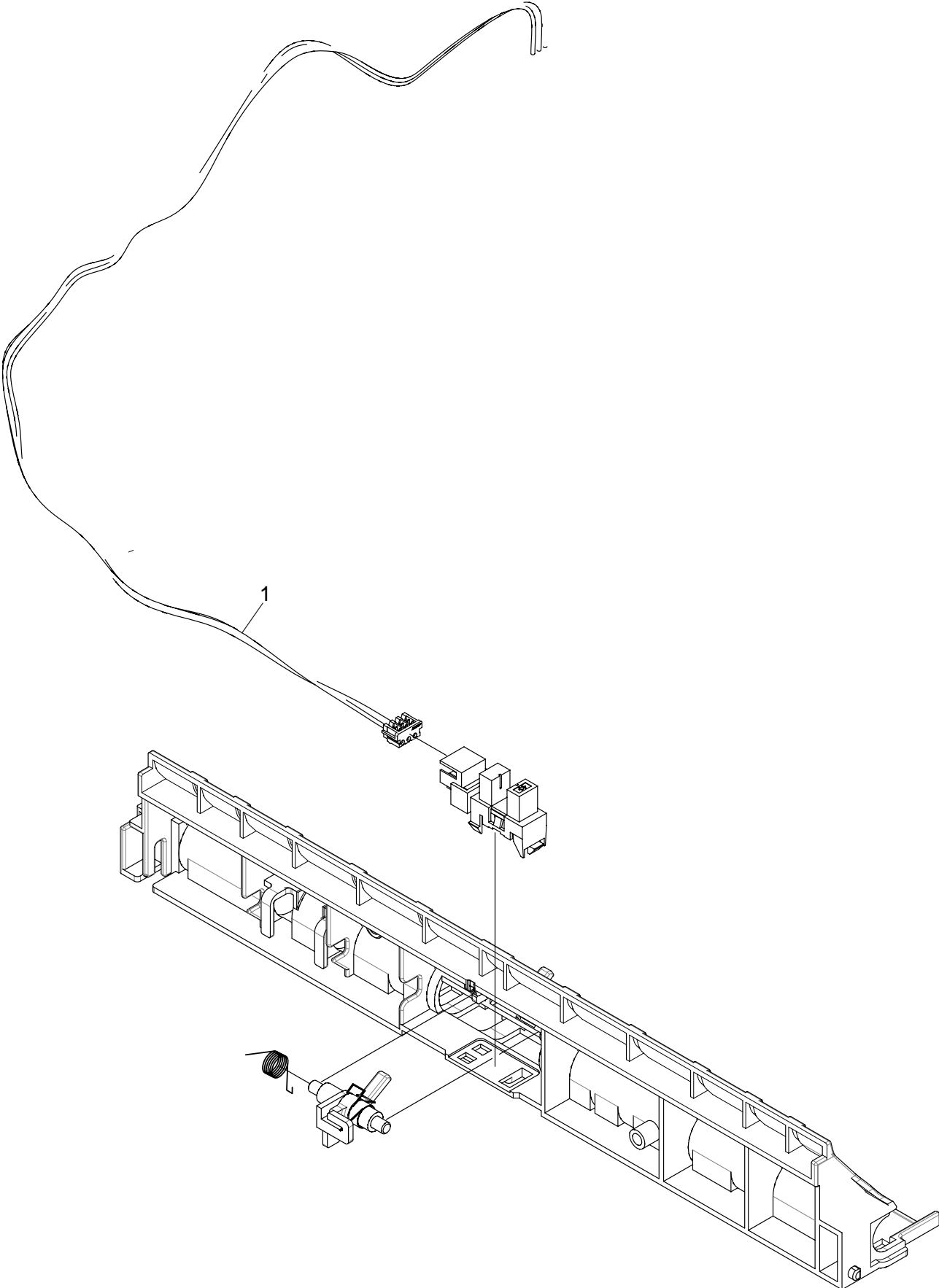
**Guide-Assy-A**



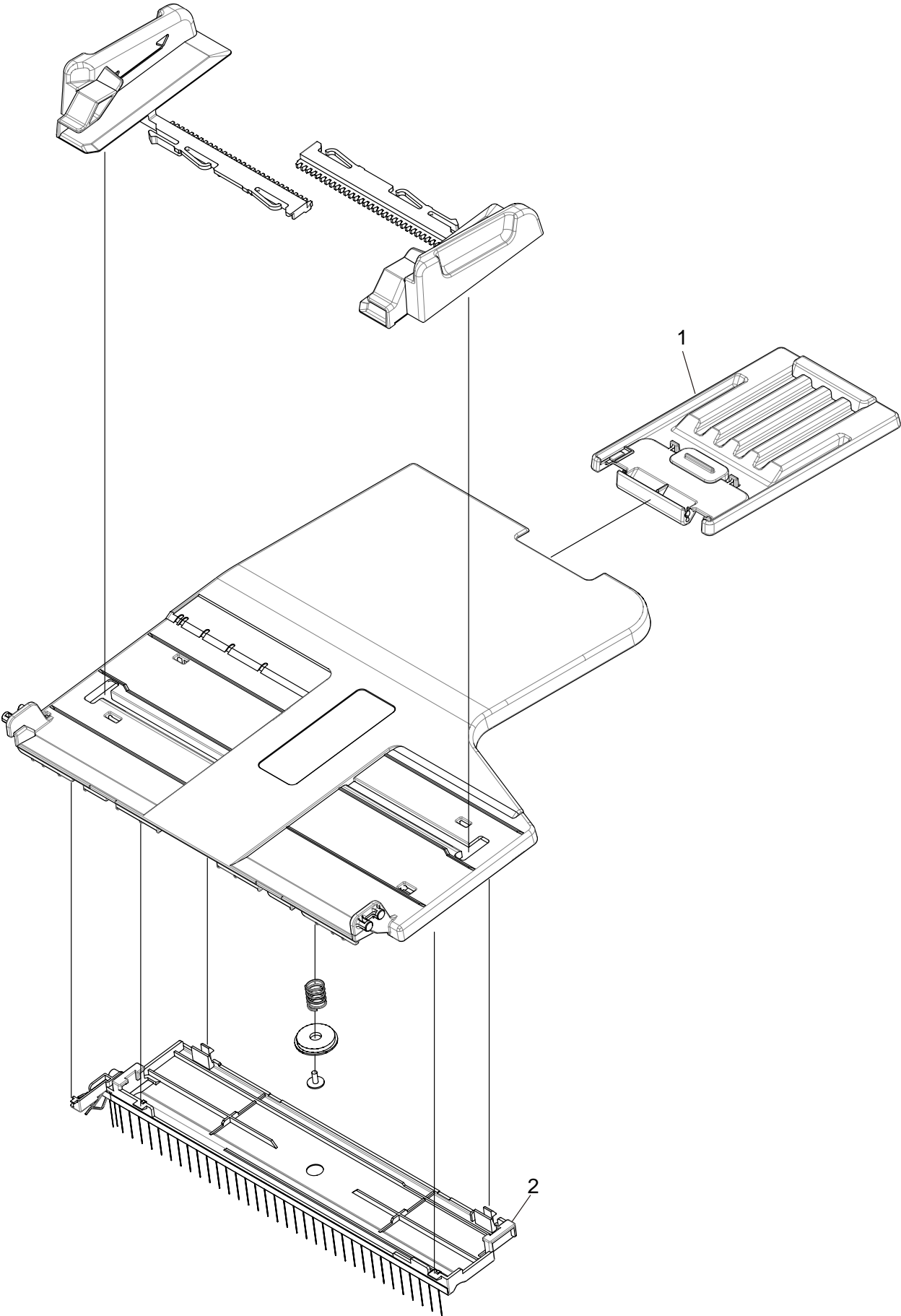
**Guide-Assy-C**



Guide-Assy-D

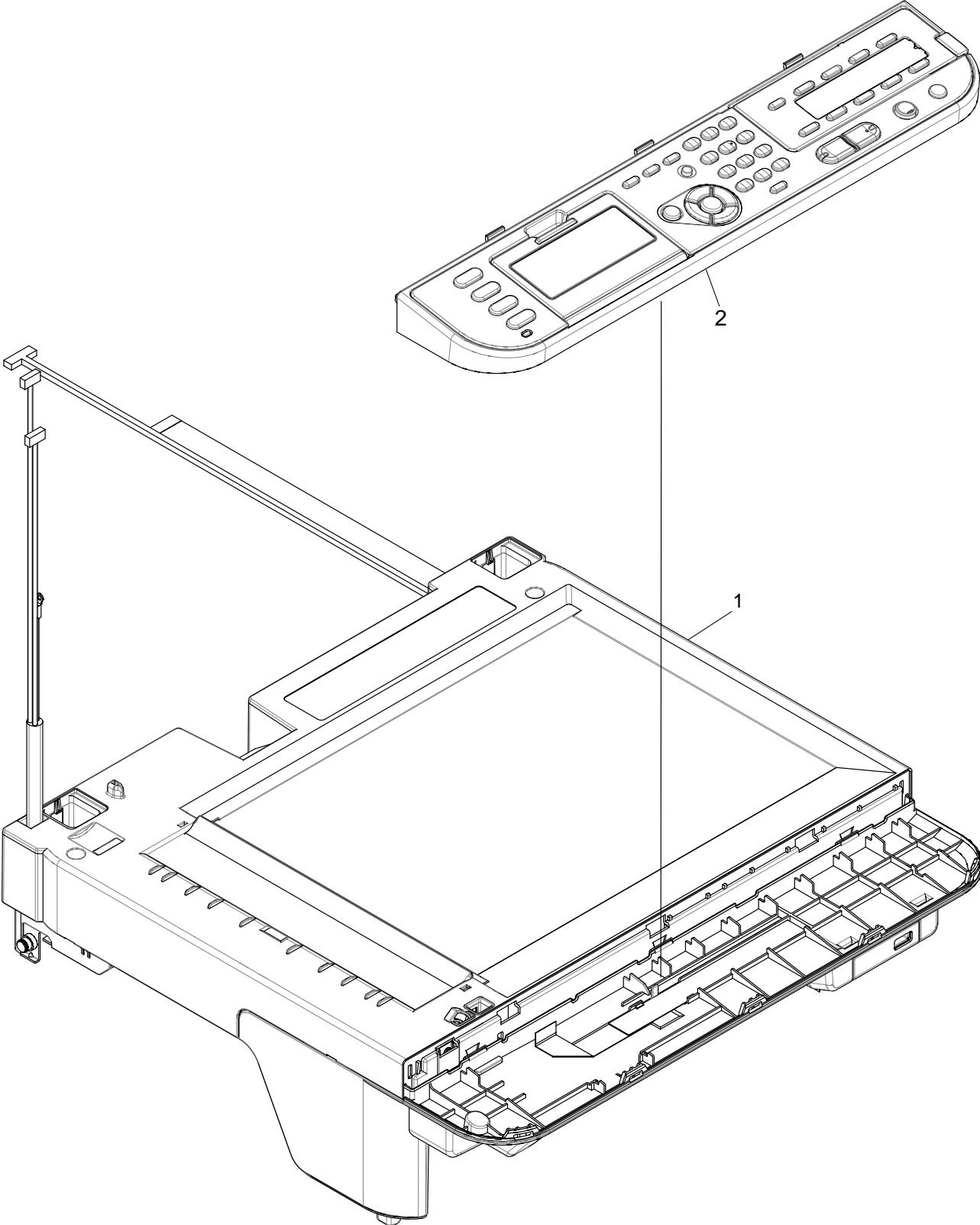


Tray-Assy-Document

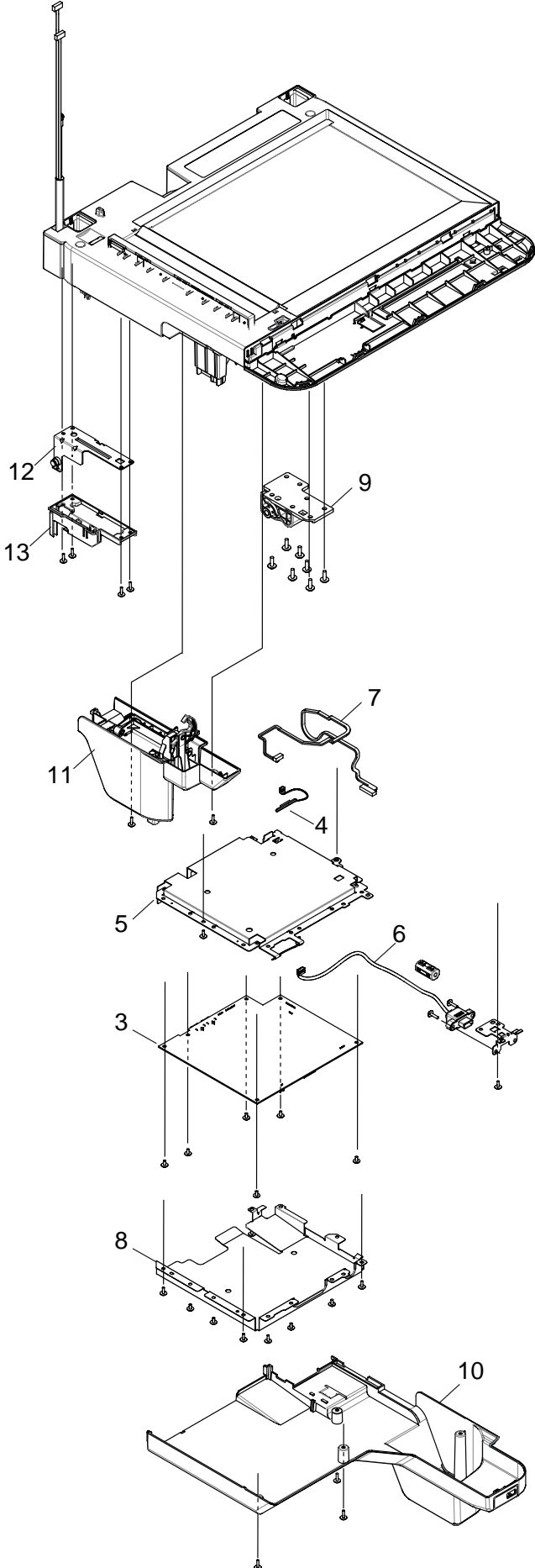




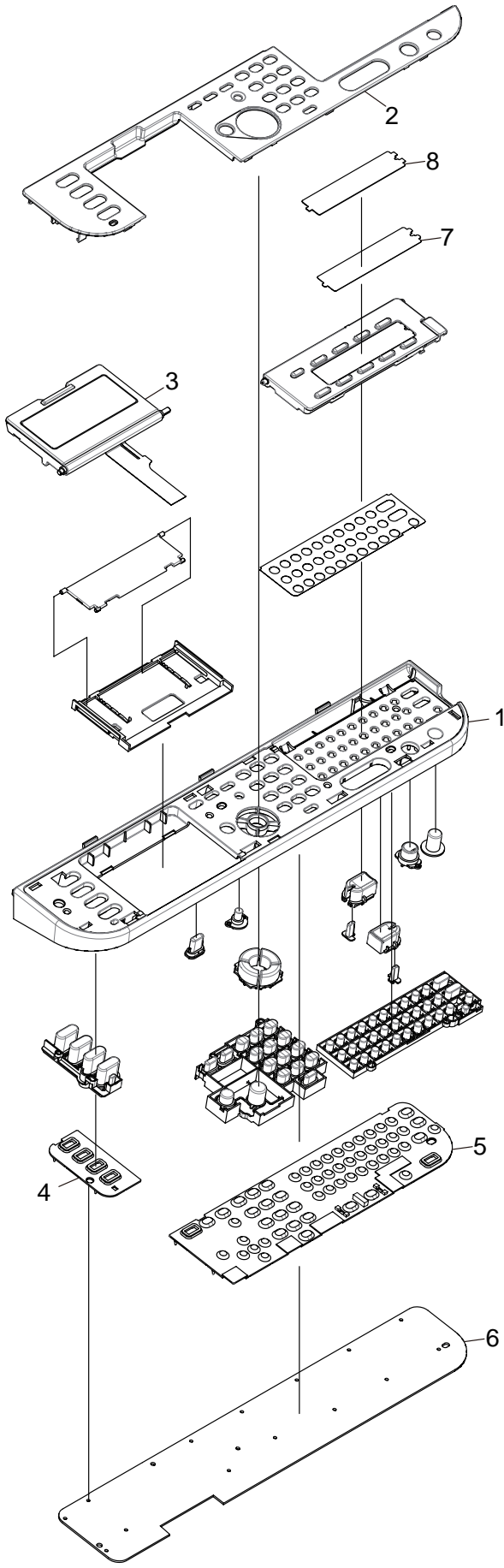
**Flatbed-Unit**



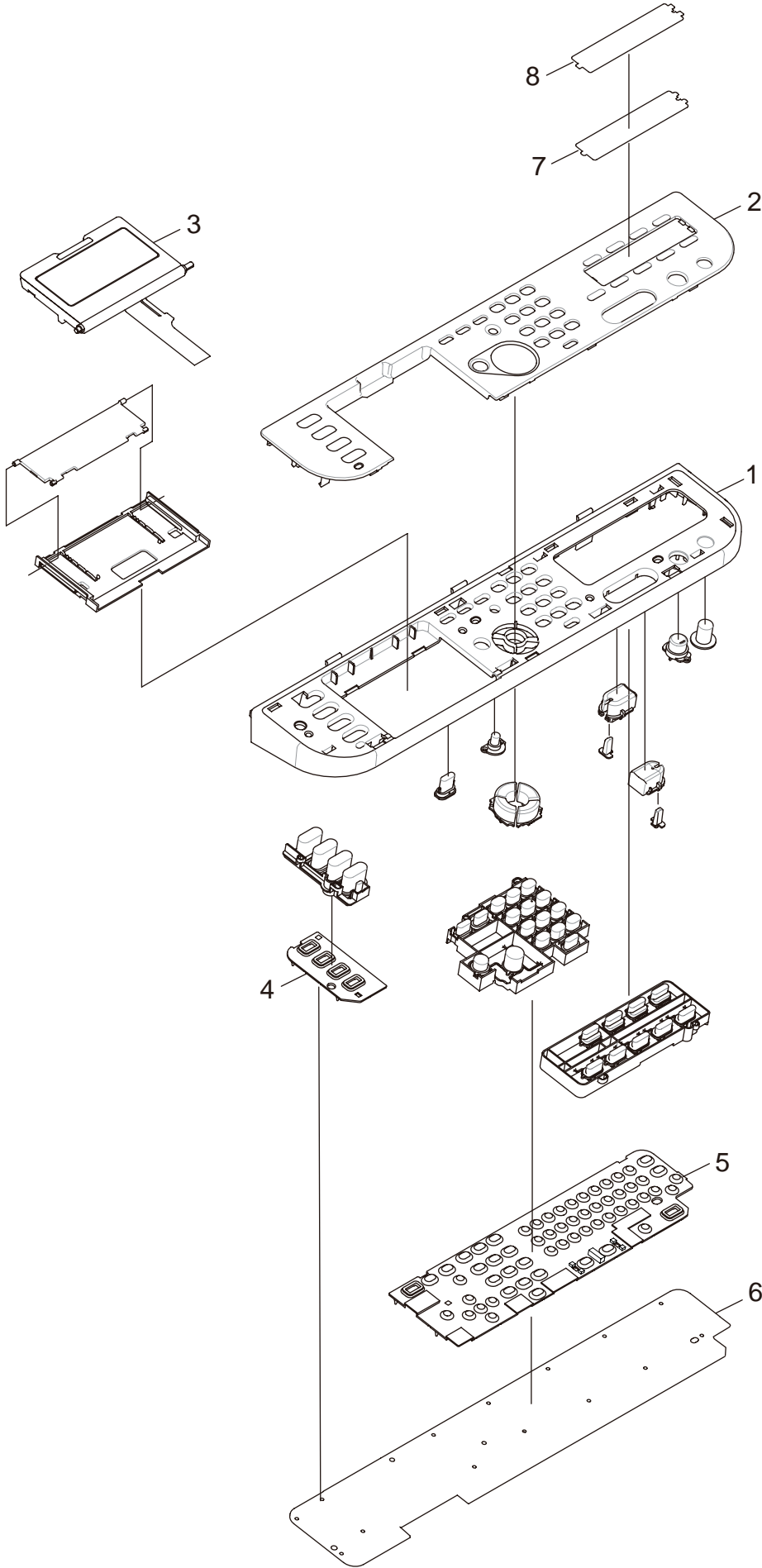
Frame-Assy-FB



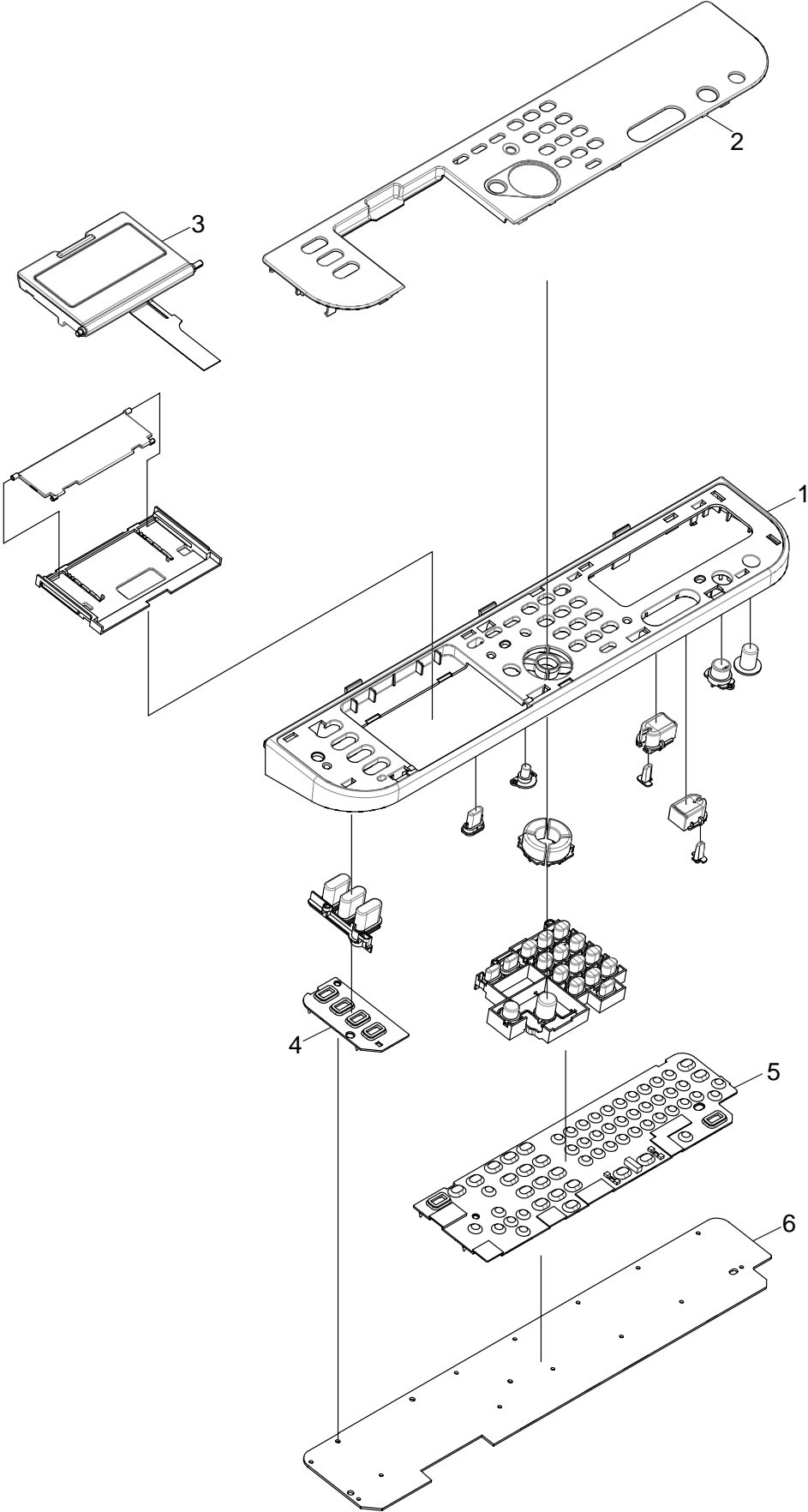
Frame-Assy-OP-FN297 (Except MB451, MB451w)



Frame-Assy-OP-FN297 (MB451, MB451w)



Frame-Assy-OP-FN296



LCD-Assy

