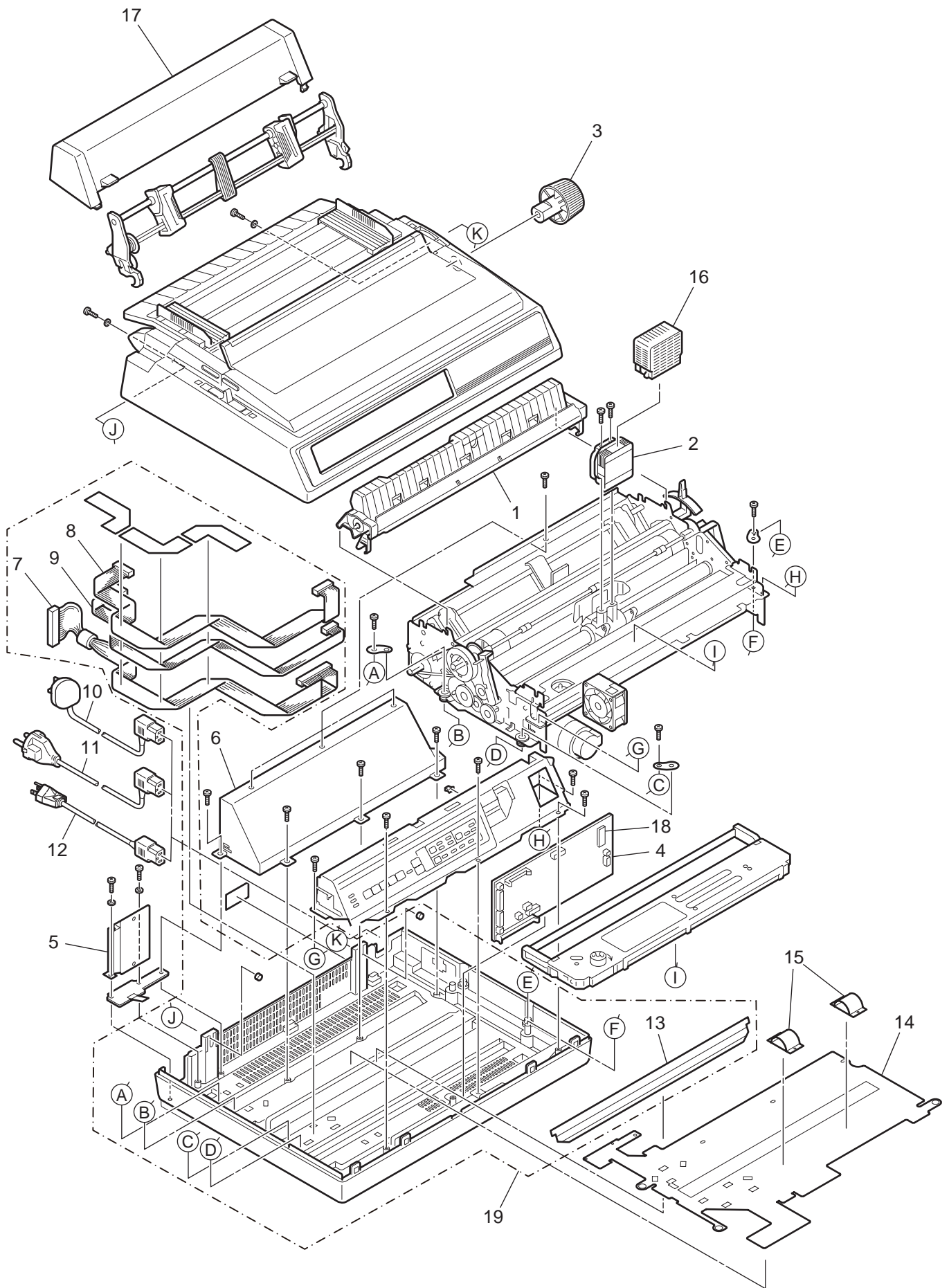


# OEL Spare Parts Drawing

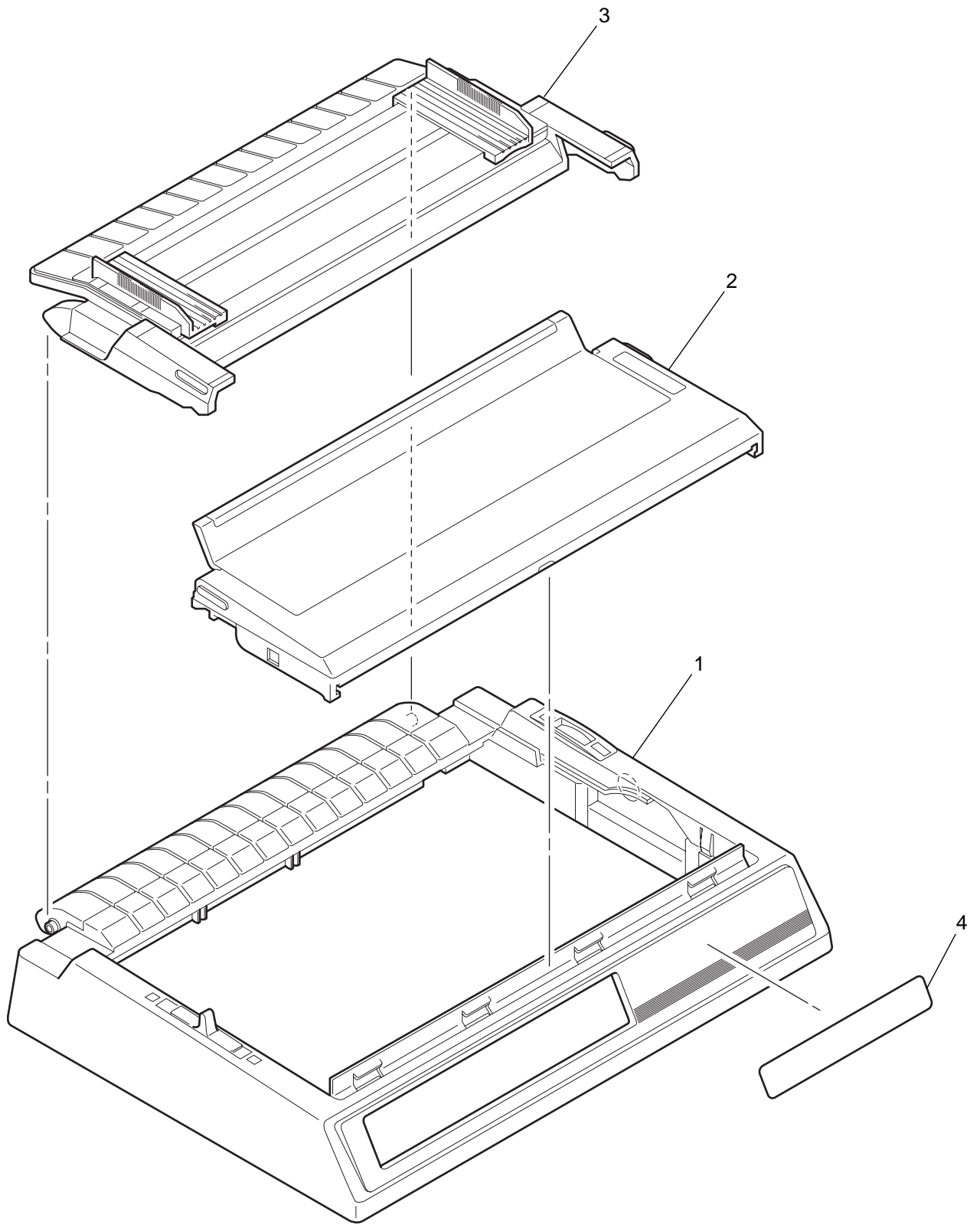
ML3410



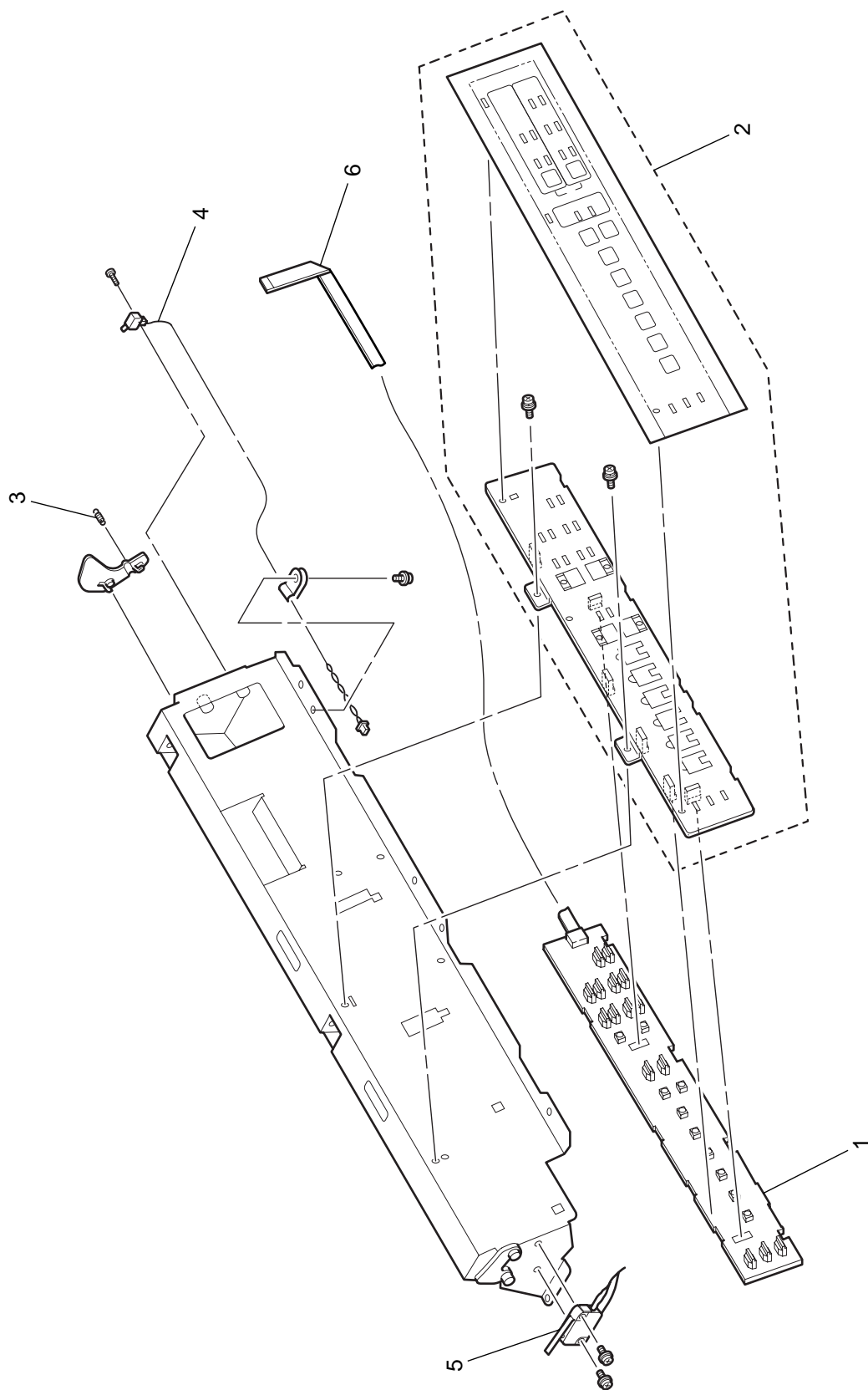
Revision 6



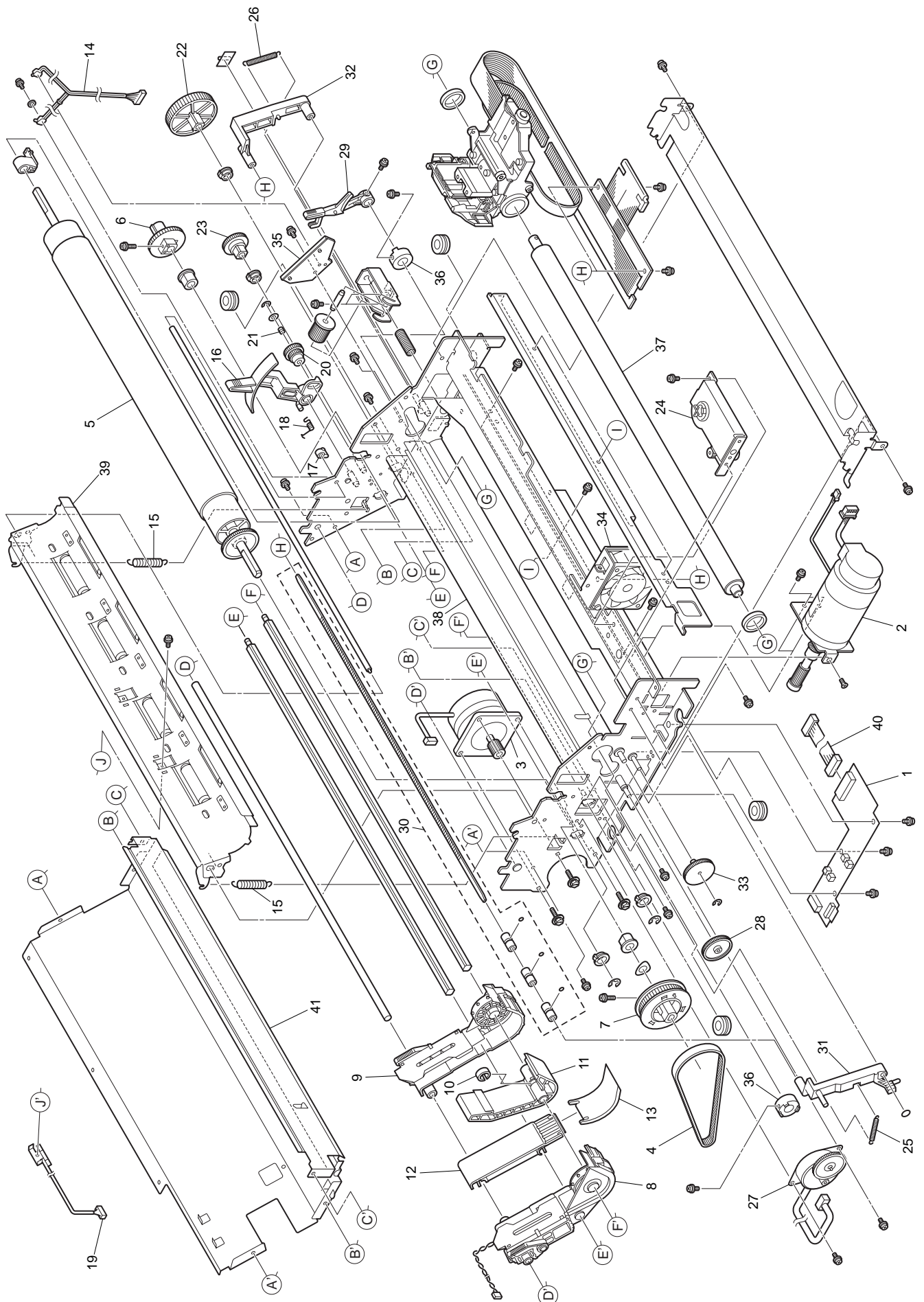
Printer Unit general assembly



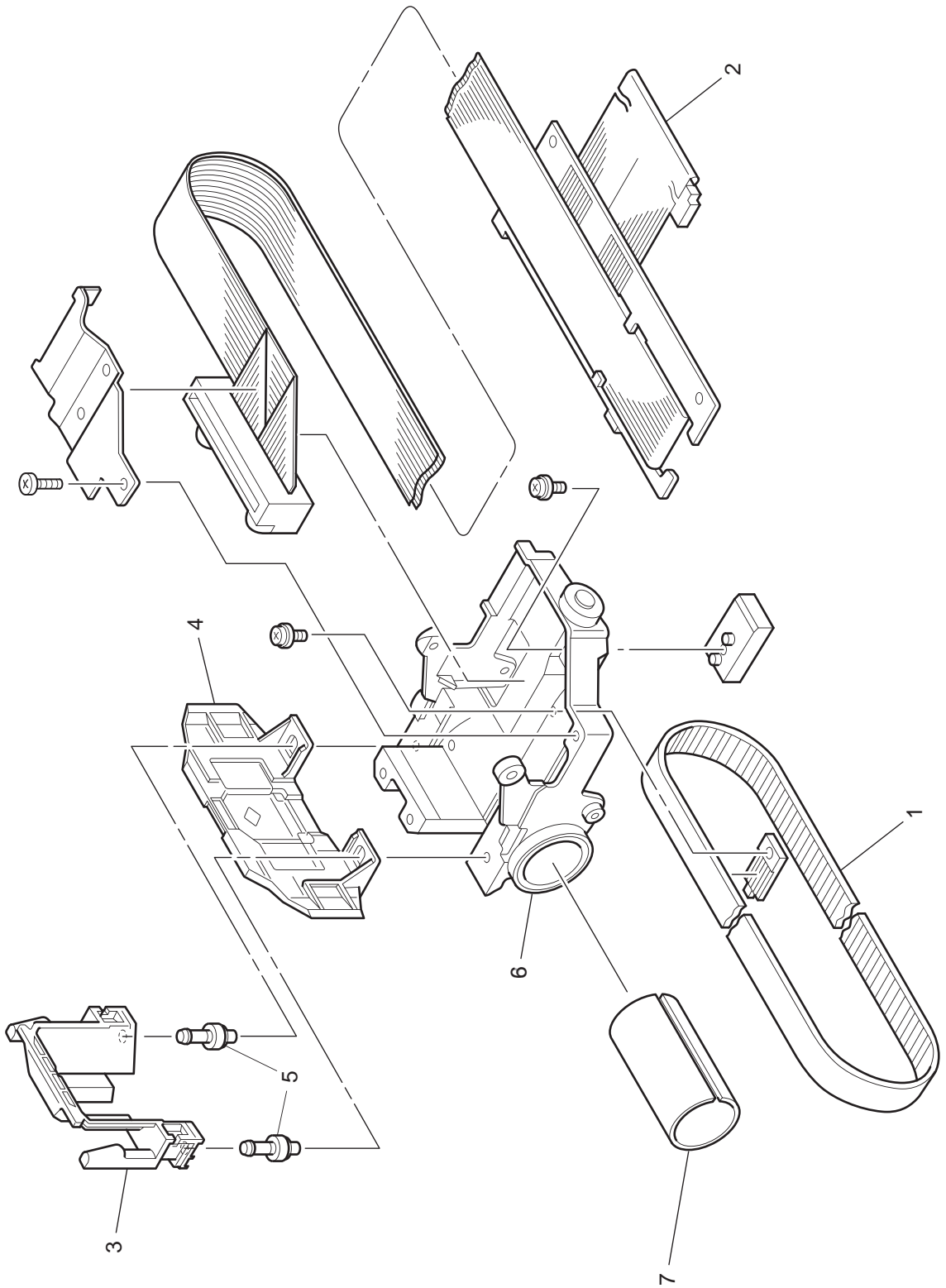
Upper cover assembly



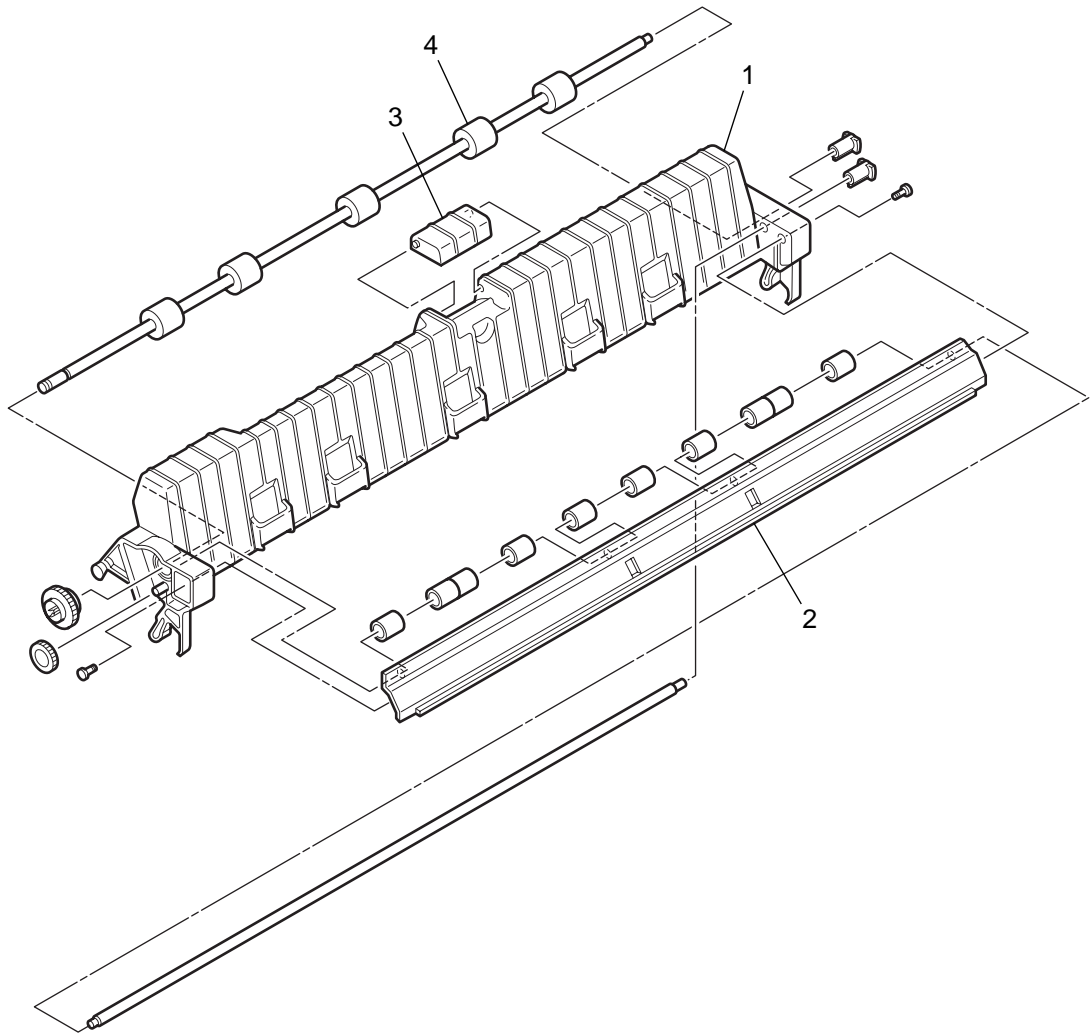
Shield cover assembly



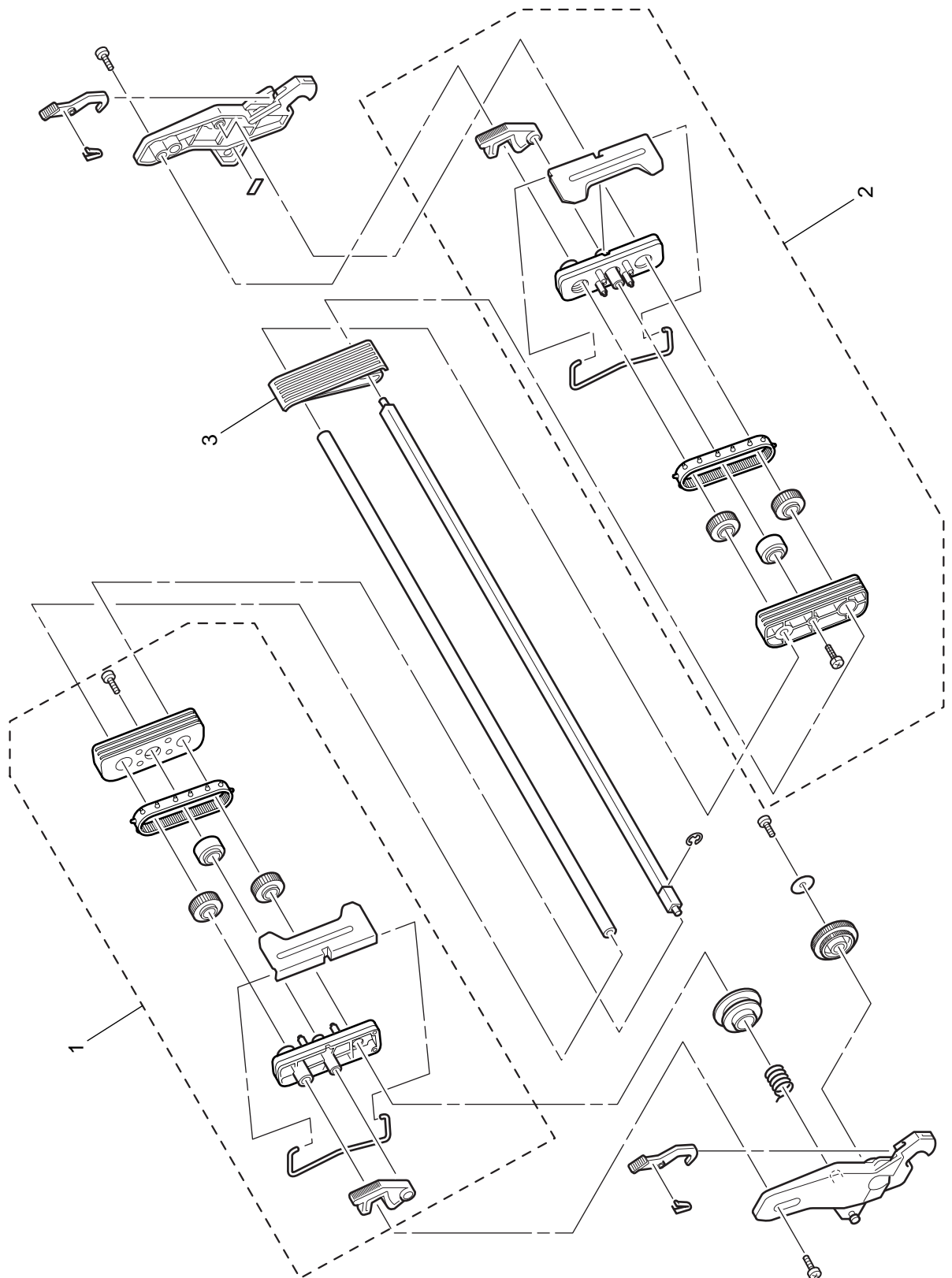
Printer mechanism



Carriage assembly

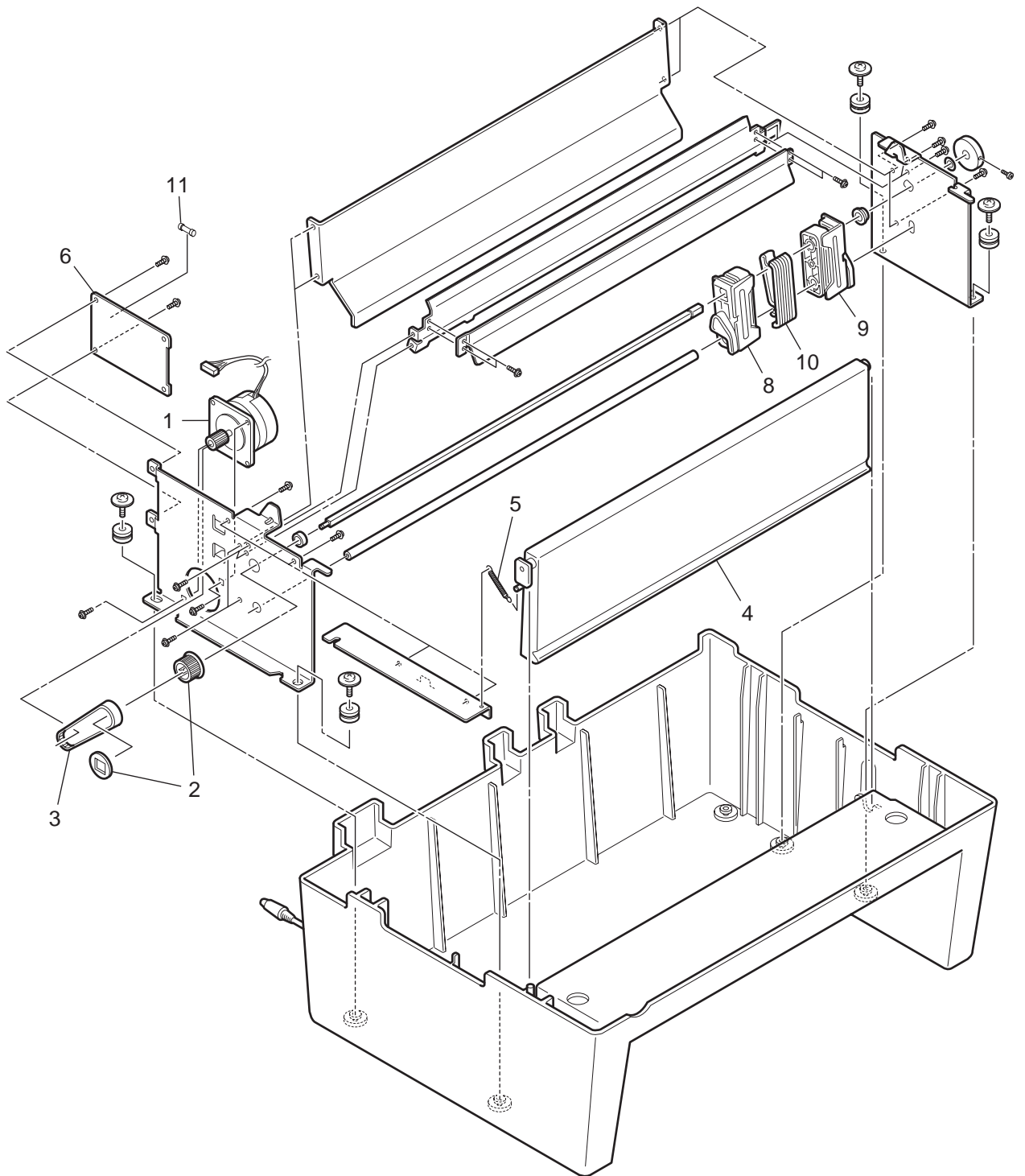


Sheet Separator(42575301)



Tractor unit (Option)





Bottom Push Tractor (Option)