

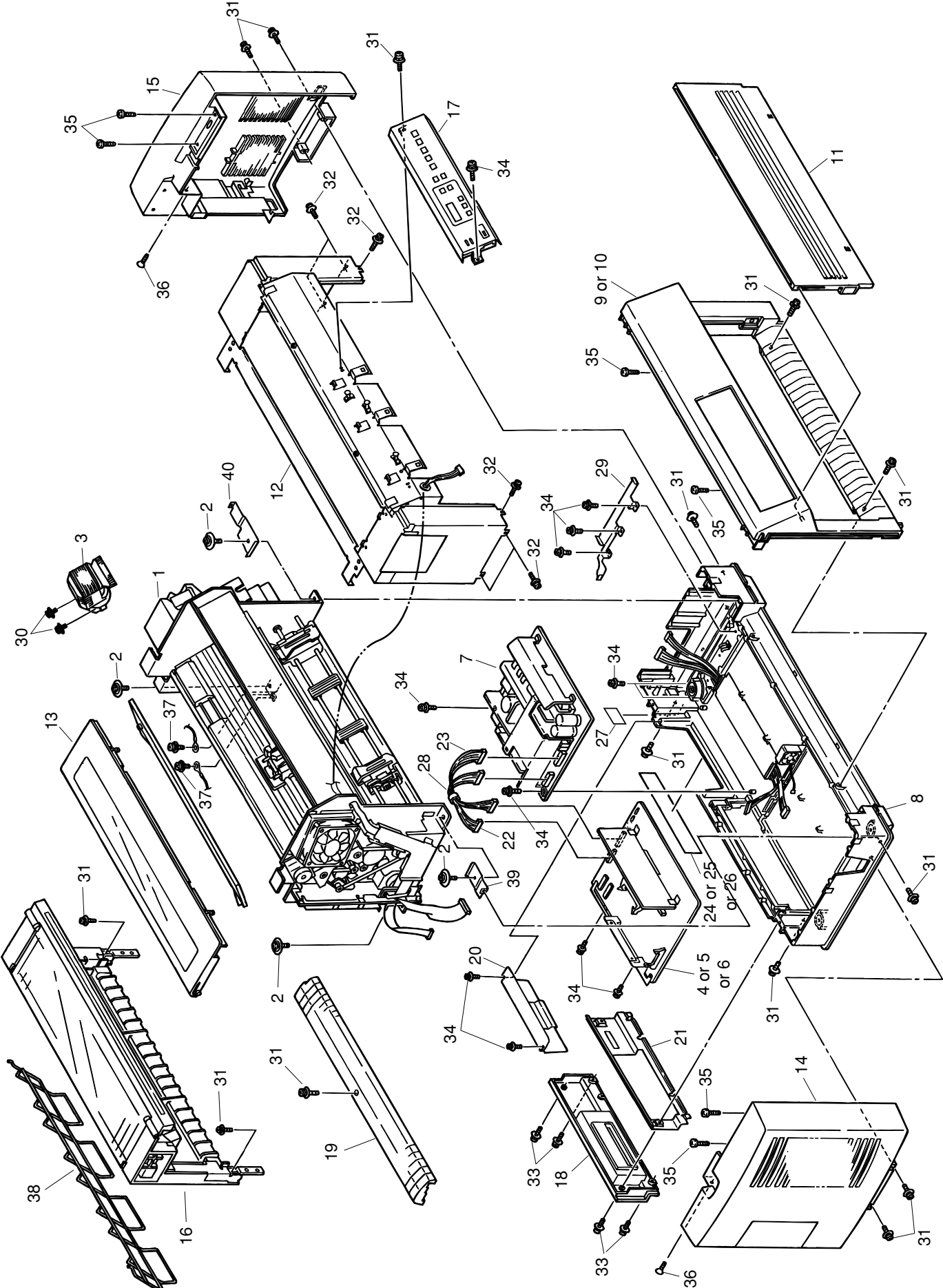
OEL Disassembly Drawing

ML4410

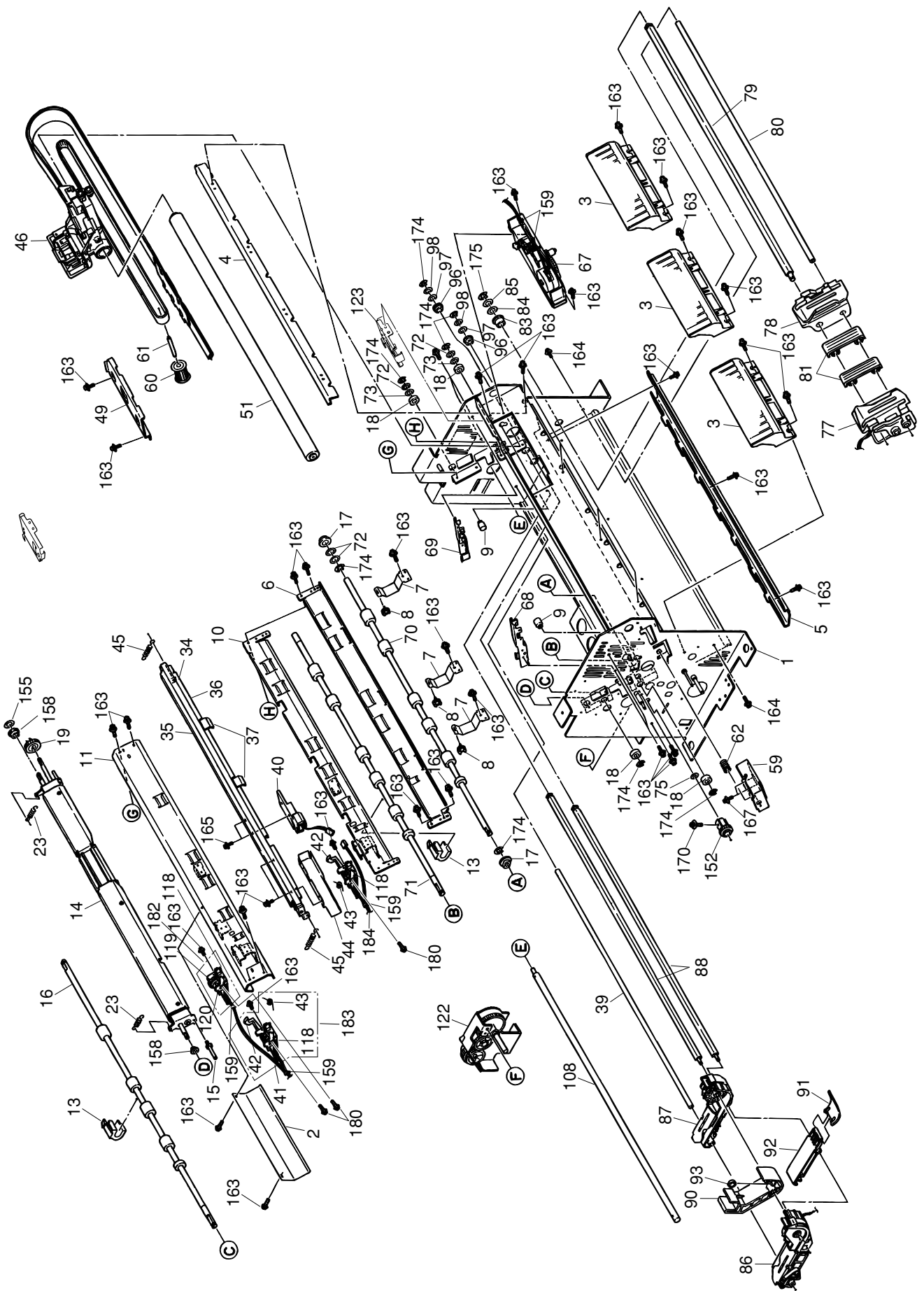


Revision 9

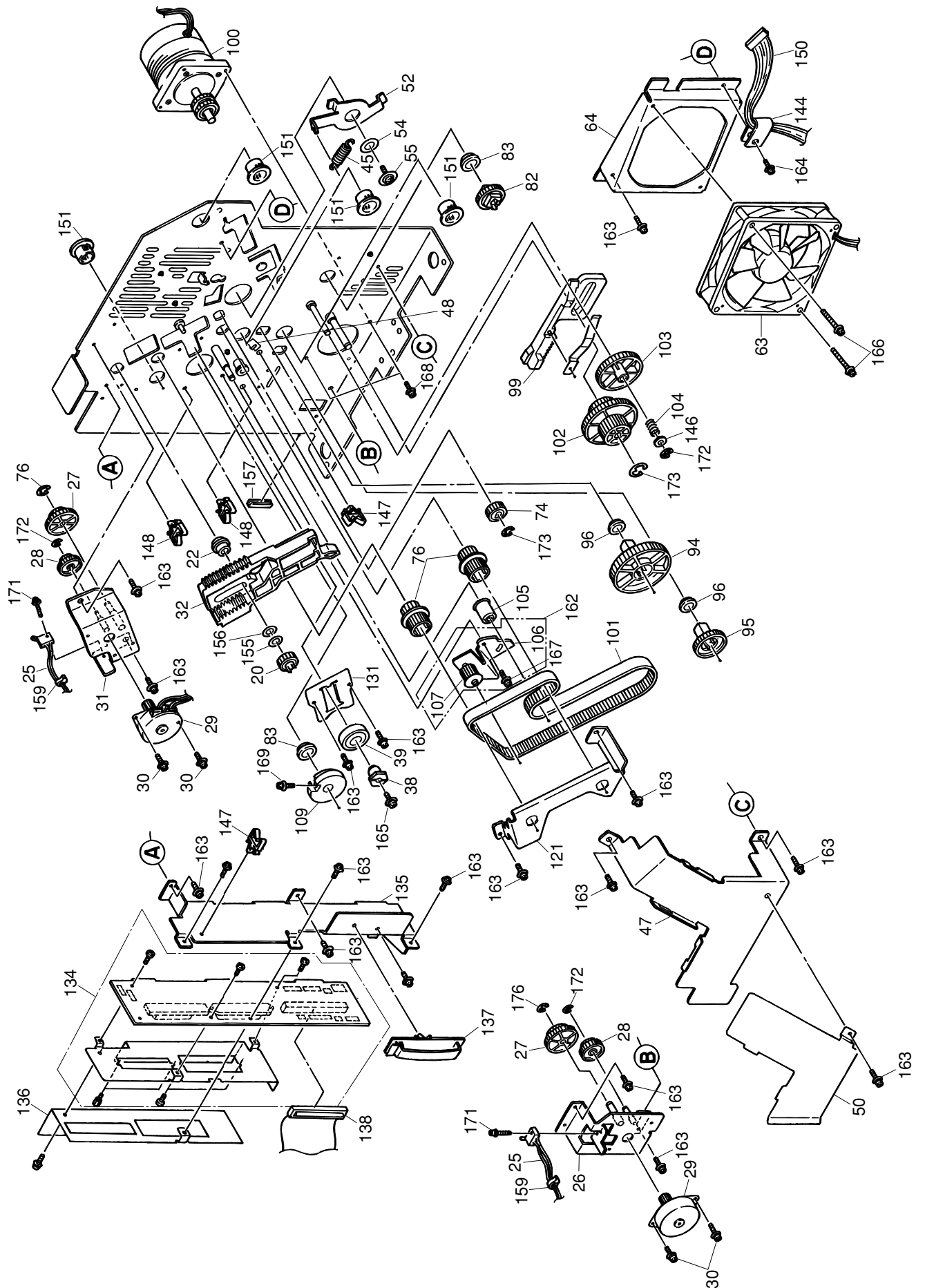
Total Assembling Diagram



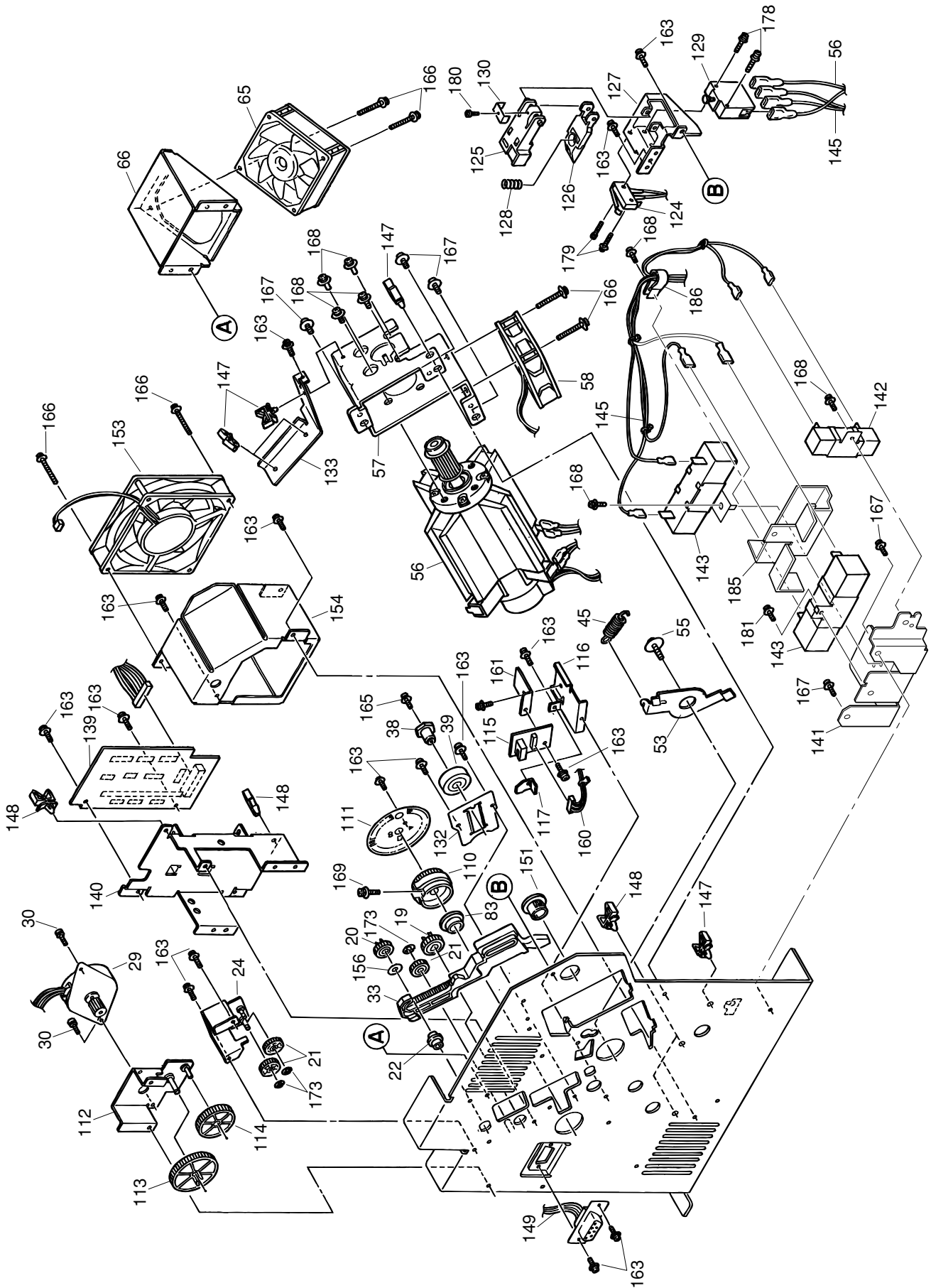
Printer Unit -(1/3)



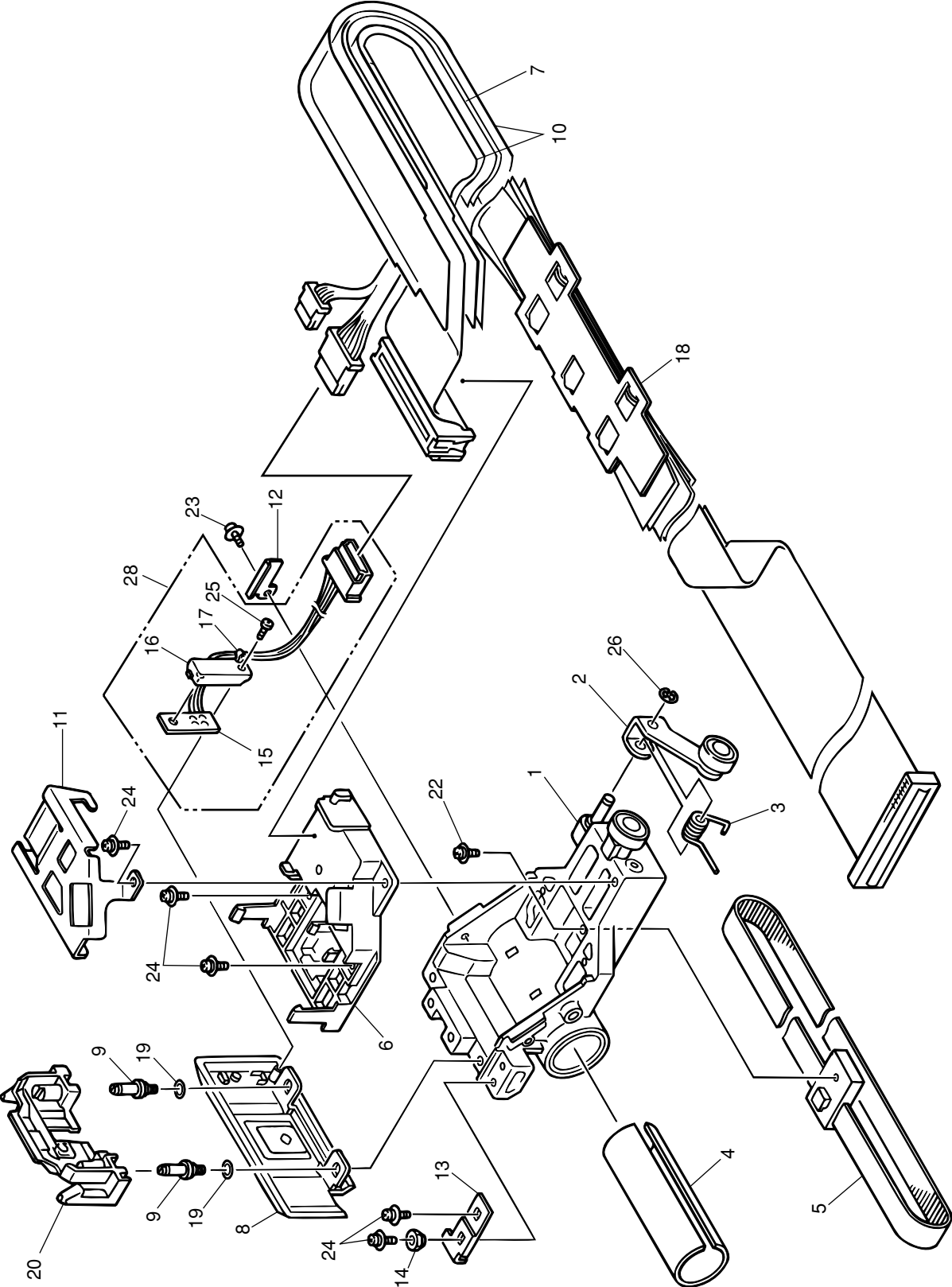
Printer Unit - (2/3)



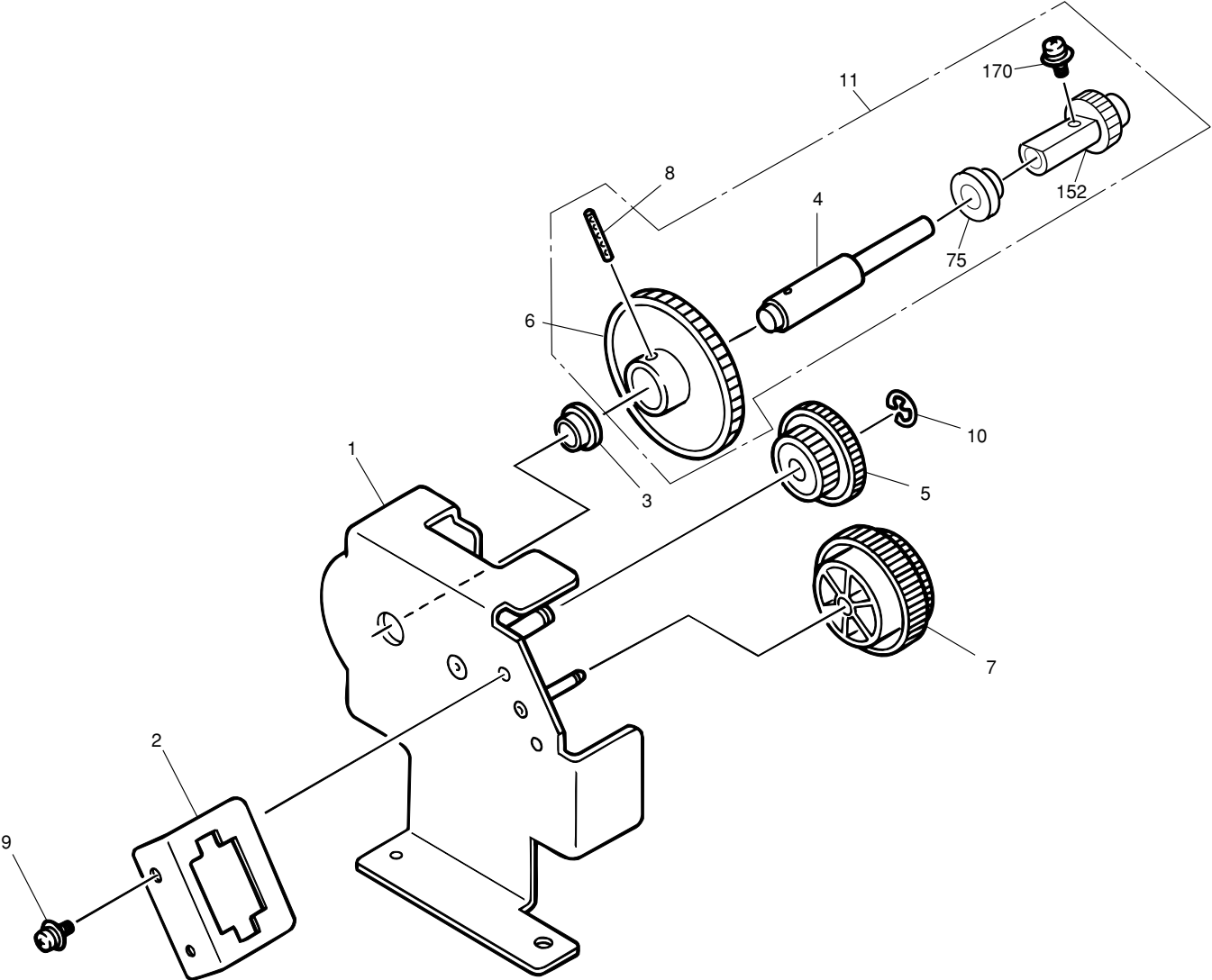
Printer Unit - (3/3)



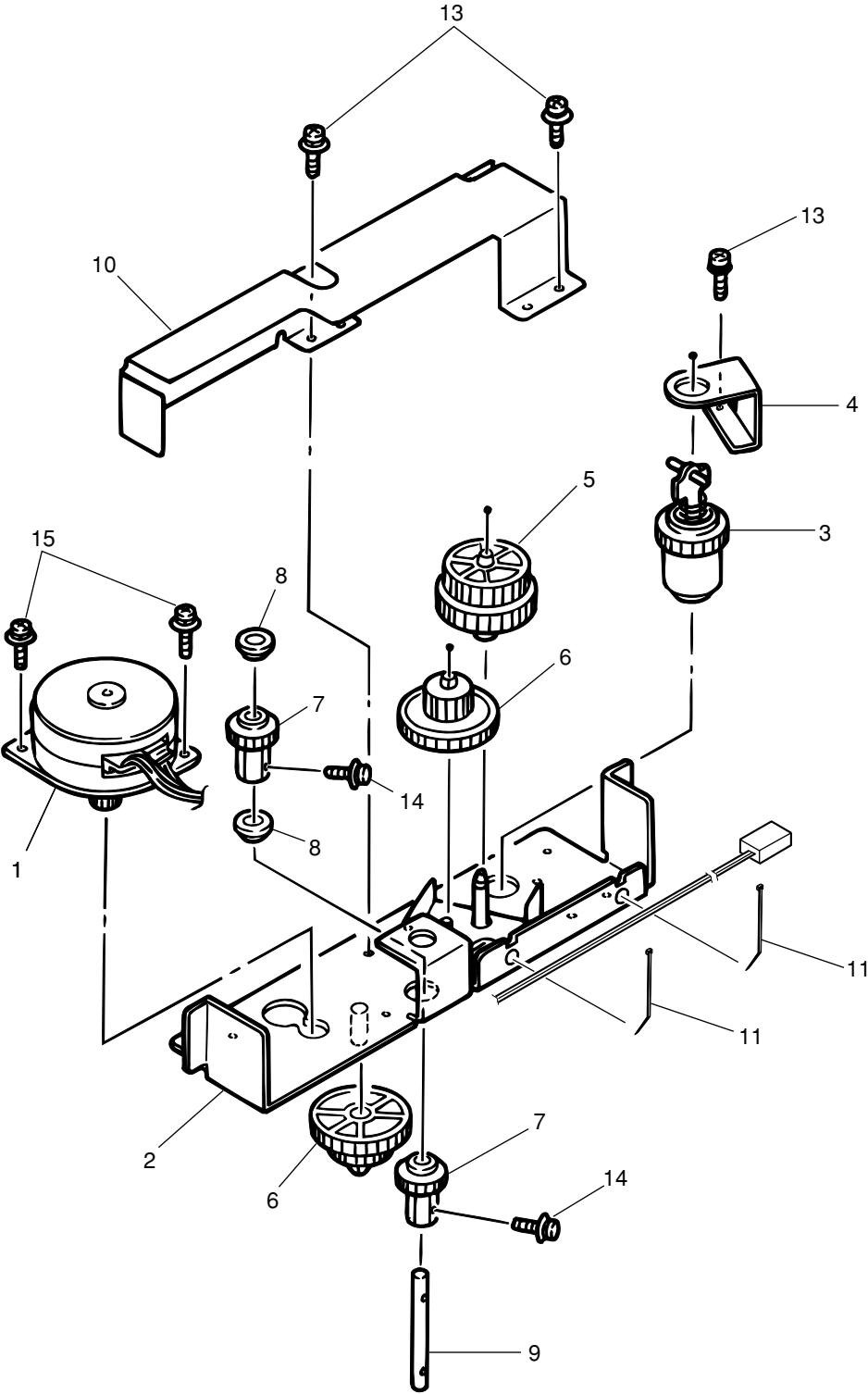
Carriage Assy. -Unit



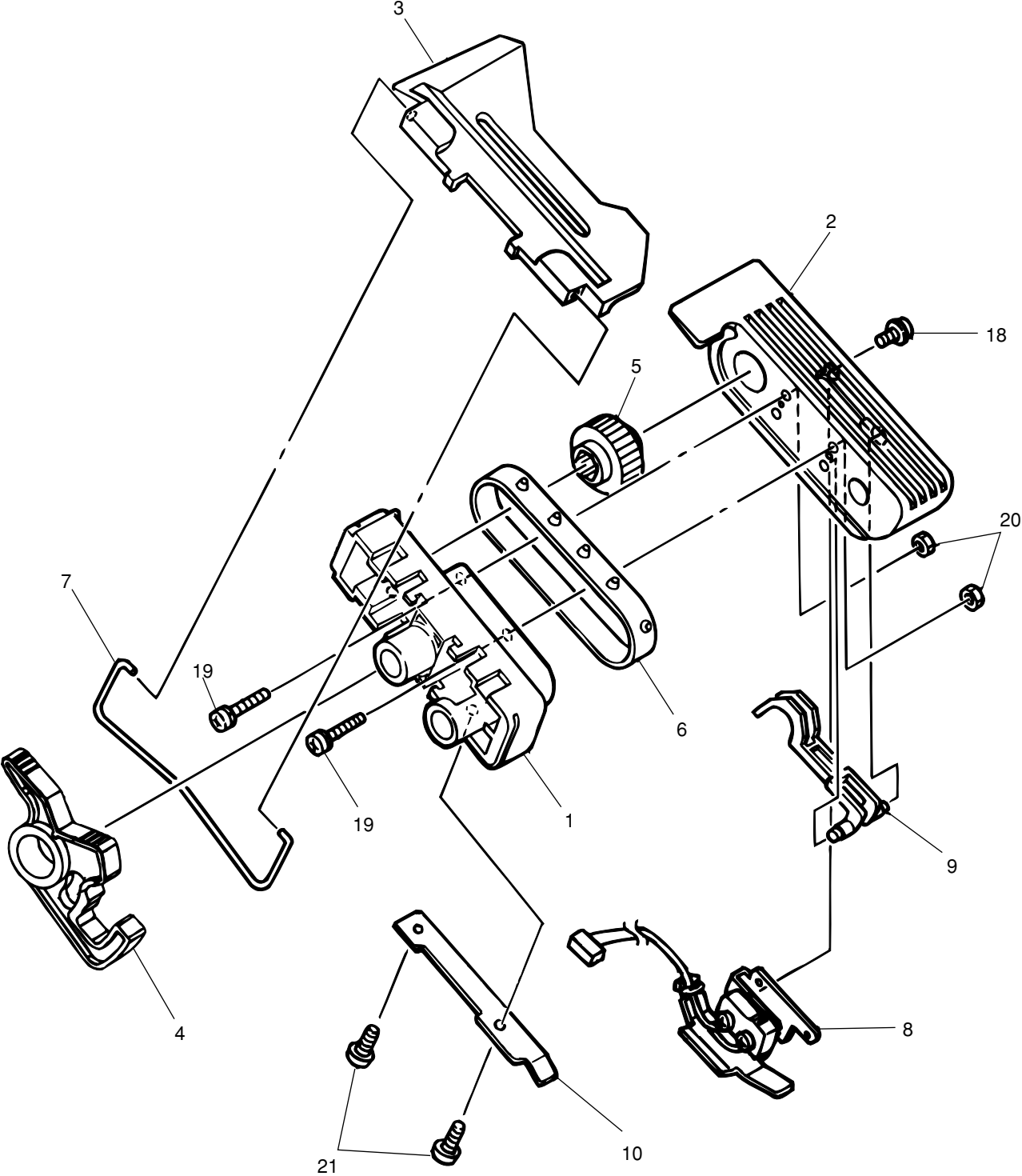
Knob Assy



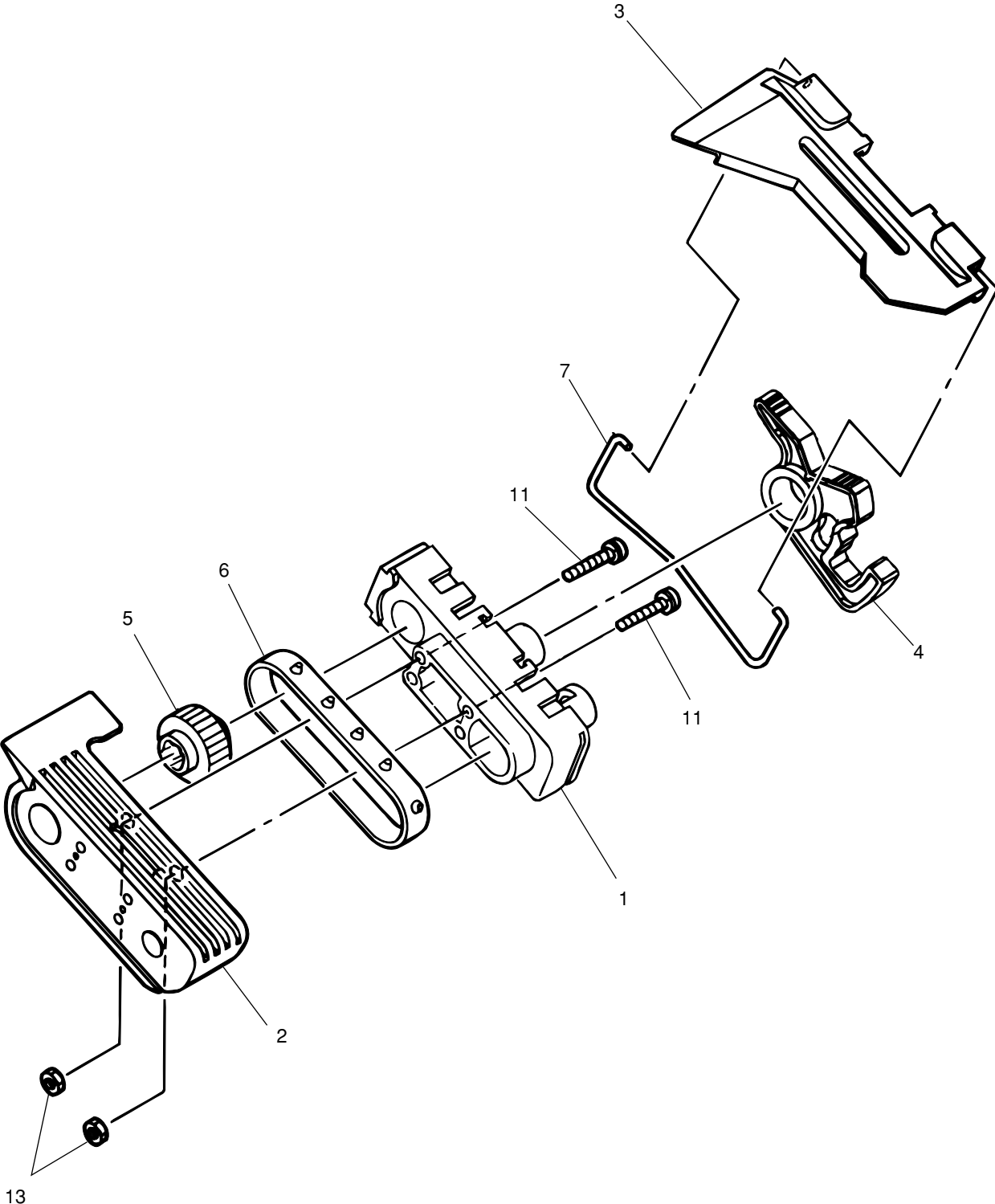
Ribbon Assy. - Feed



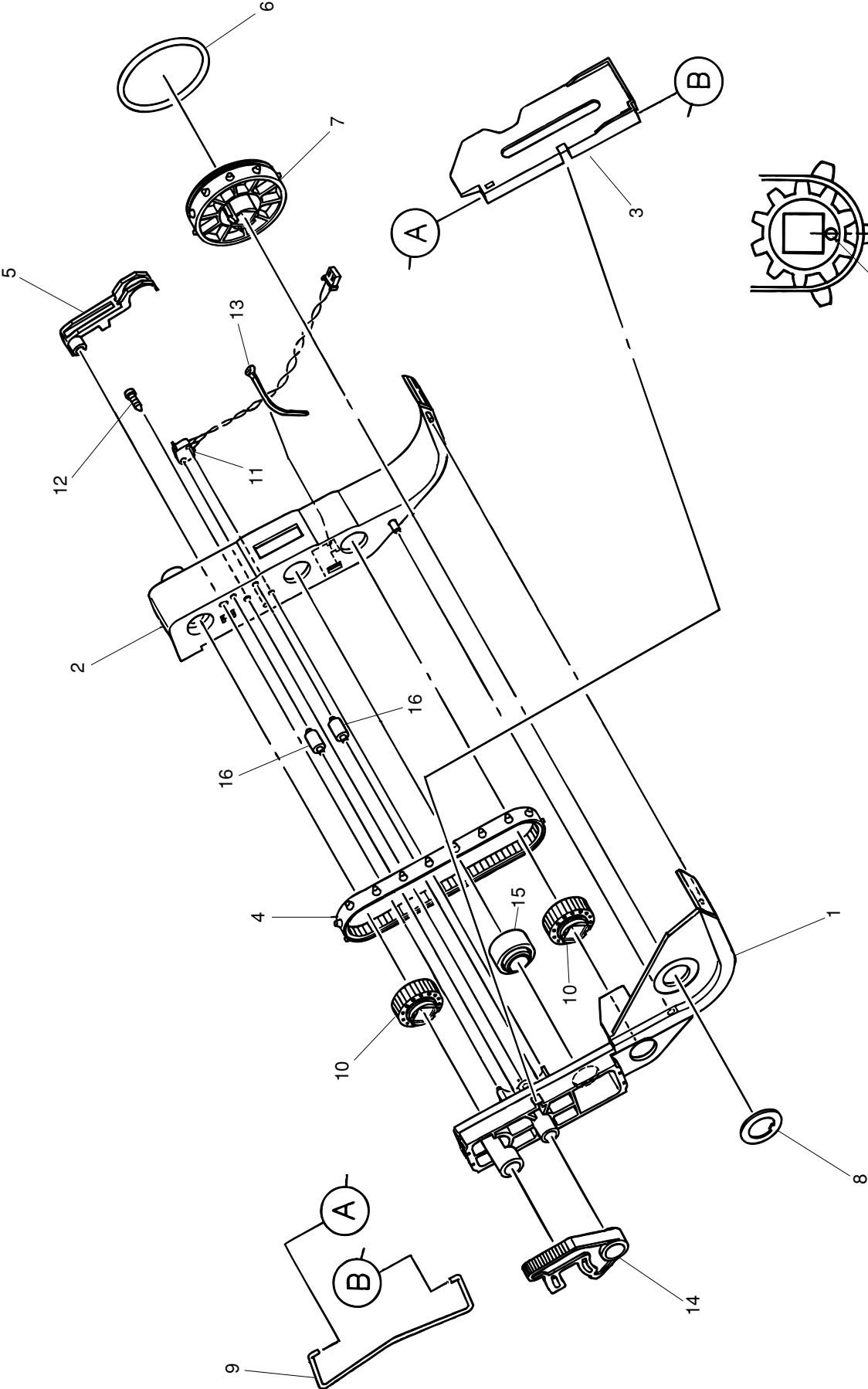
Sprocket Assy (L)



Sprocket Assy (R)

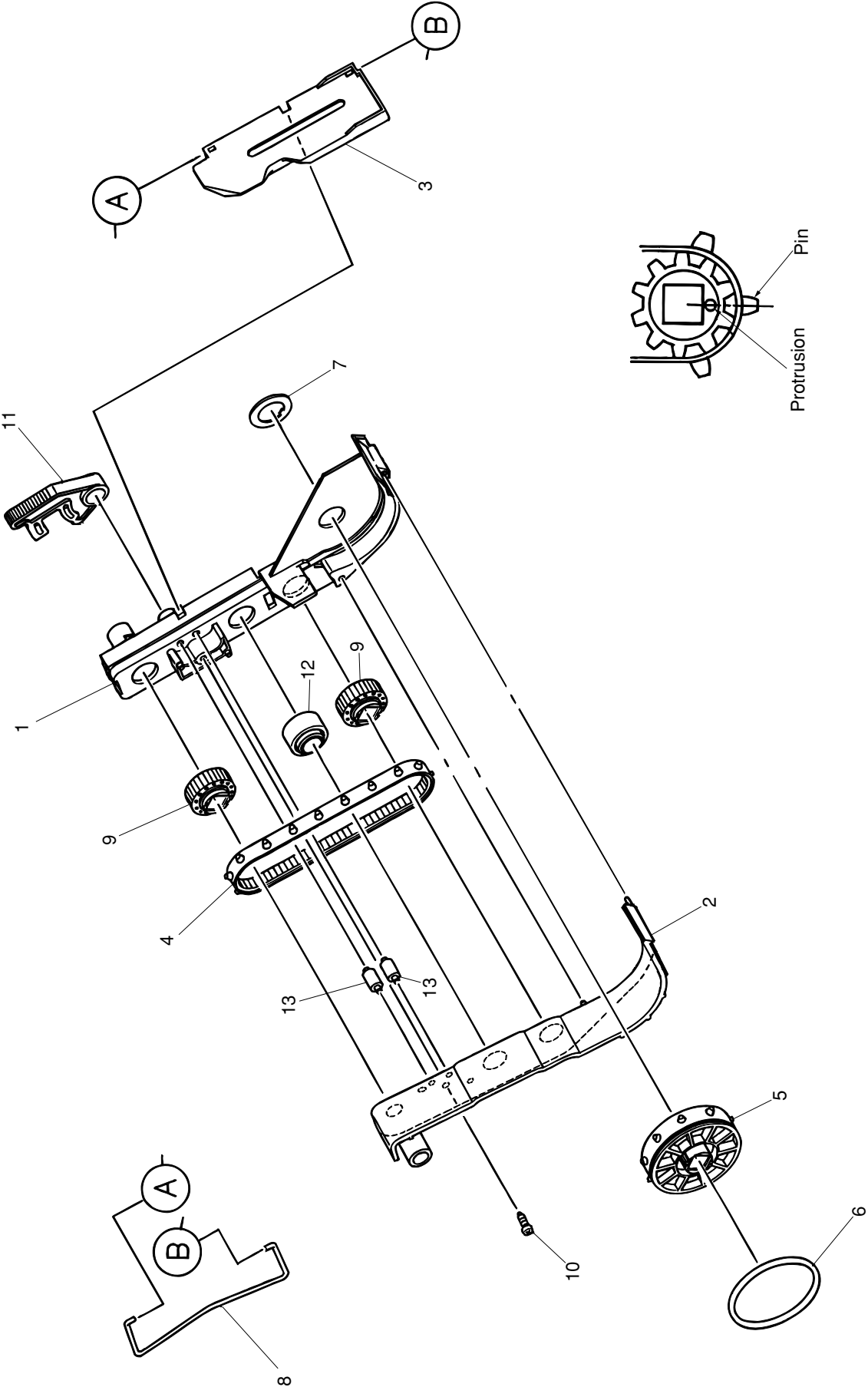


Sheet Feeder Assy (L) Rear



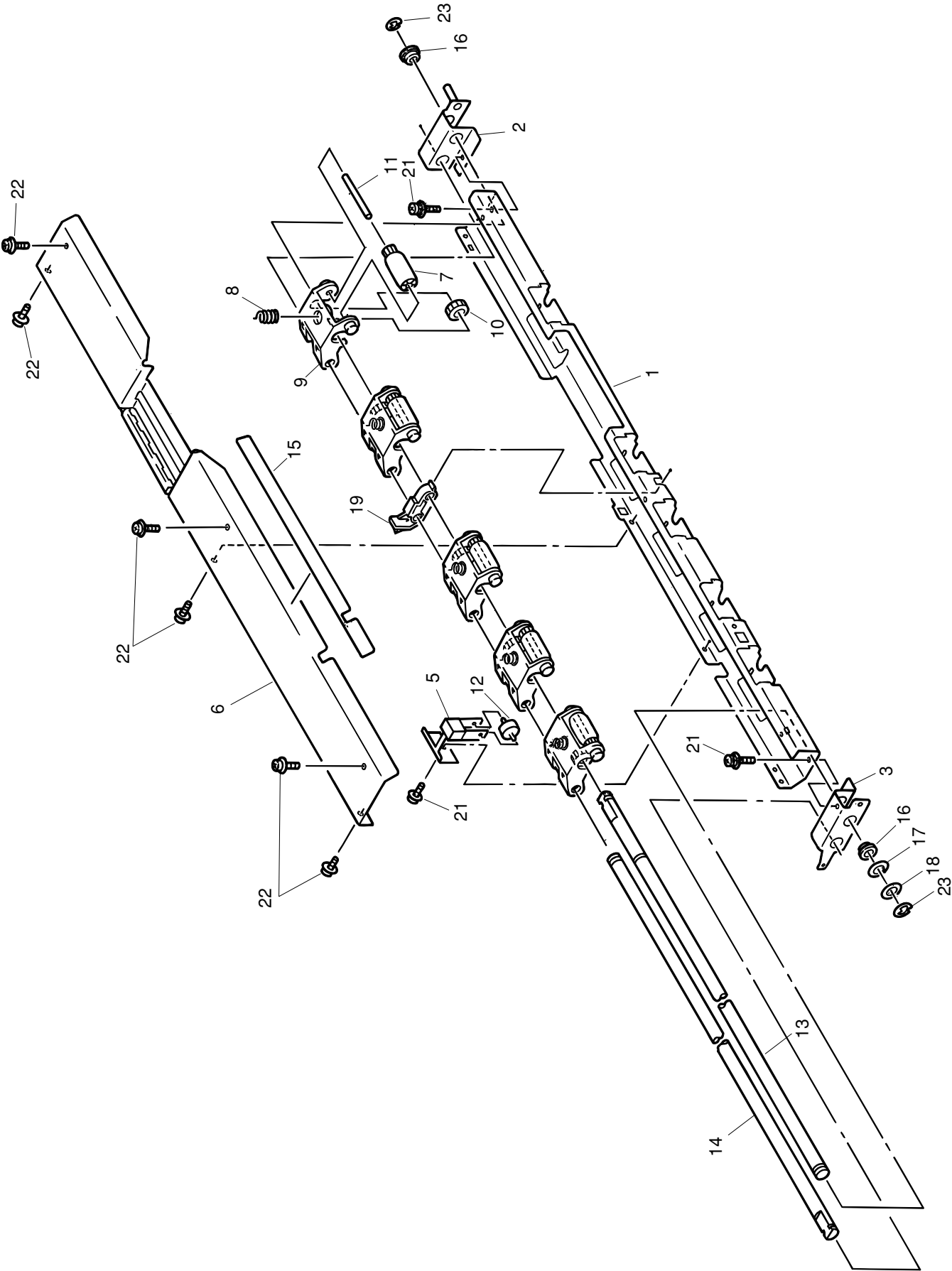
Note : Assembly should be done, meeting the protrusion 10 to the pin 4.

Sheet Feeder Assy (R) Rear

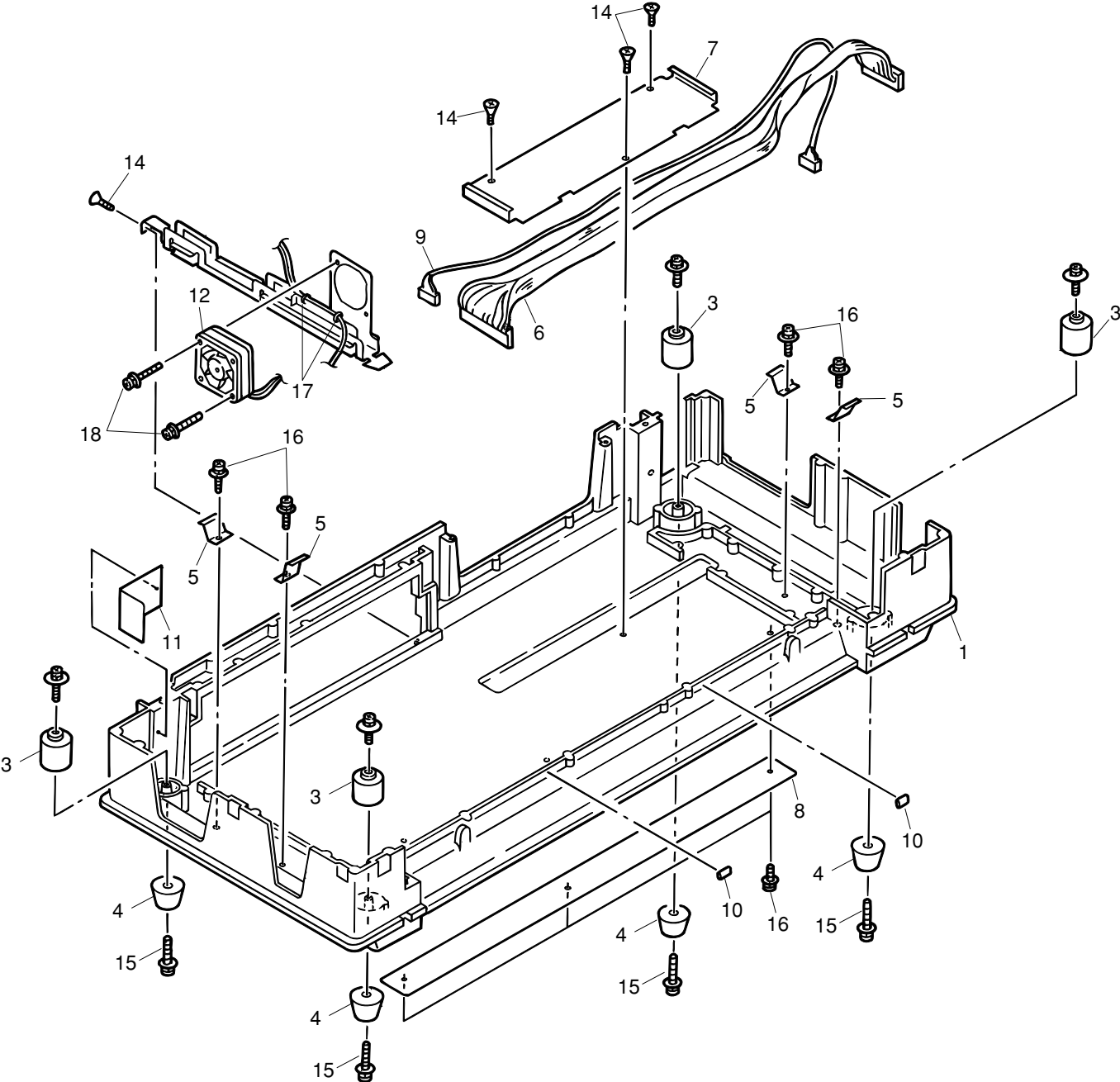


Note : Assembly should be done, meeting the protrusion 9 to the pin 4.

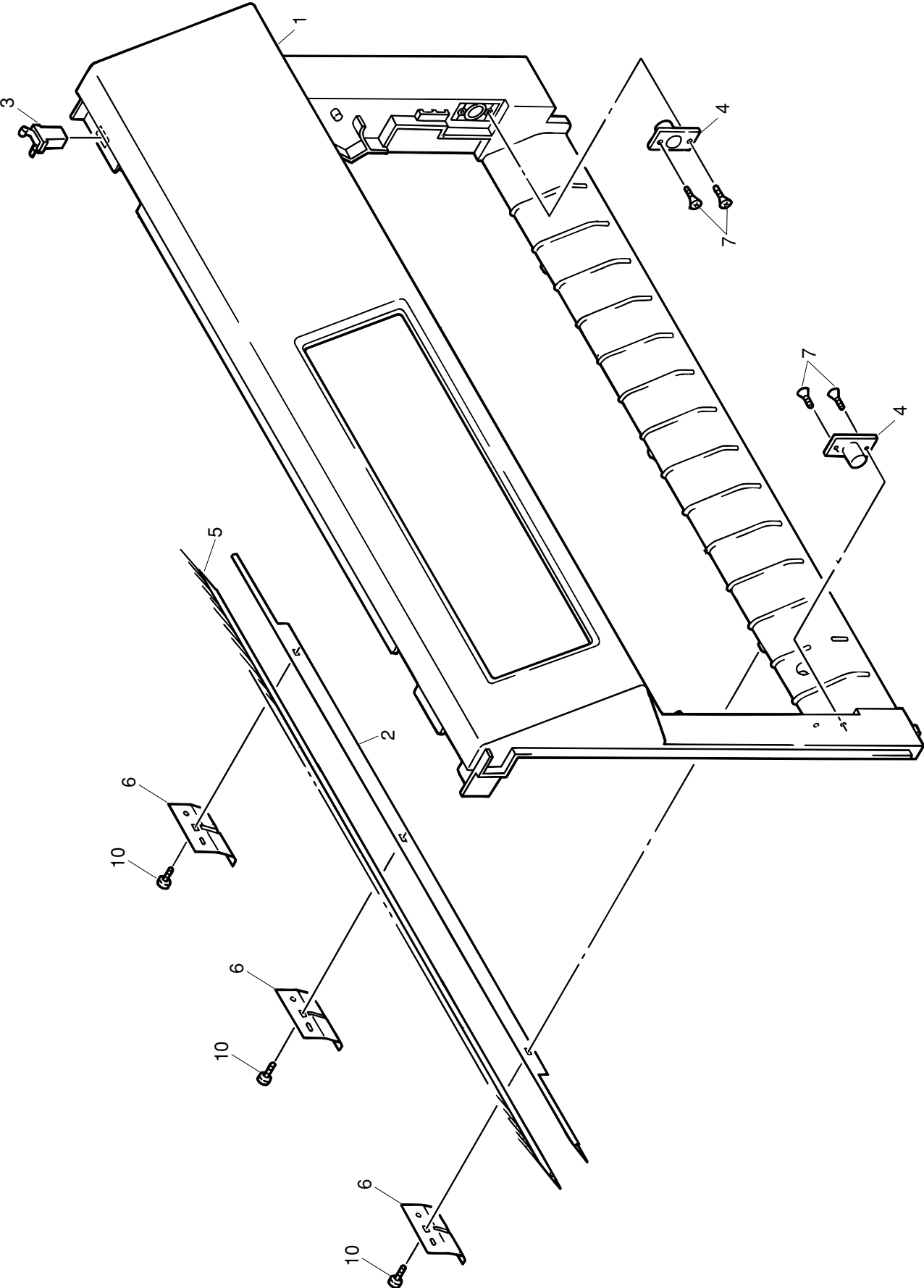
Bail Assy



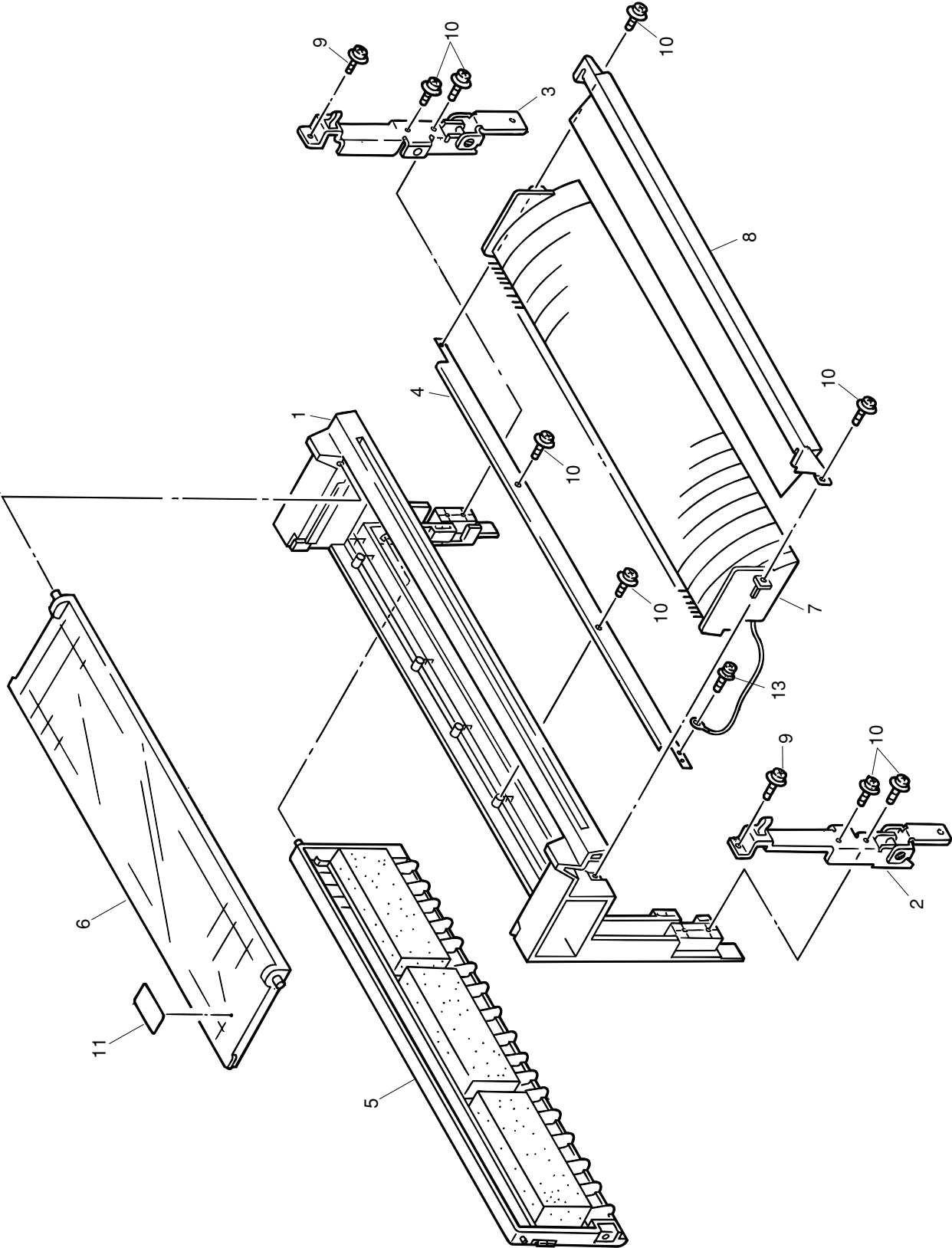
Lower Cover Assy
Front Cover Assy



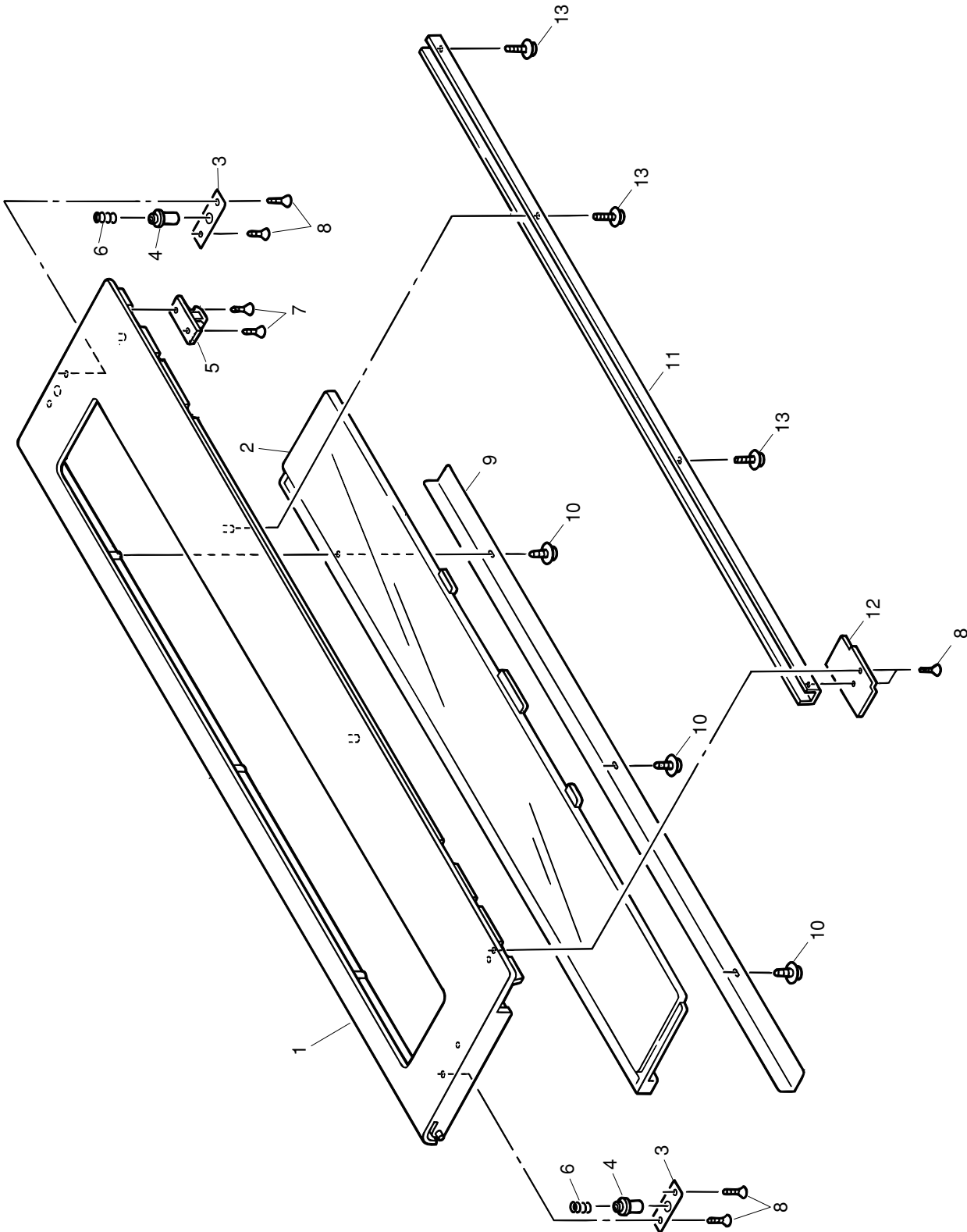
Front Cover Assy



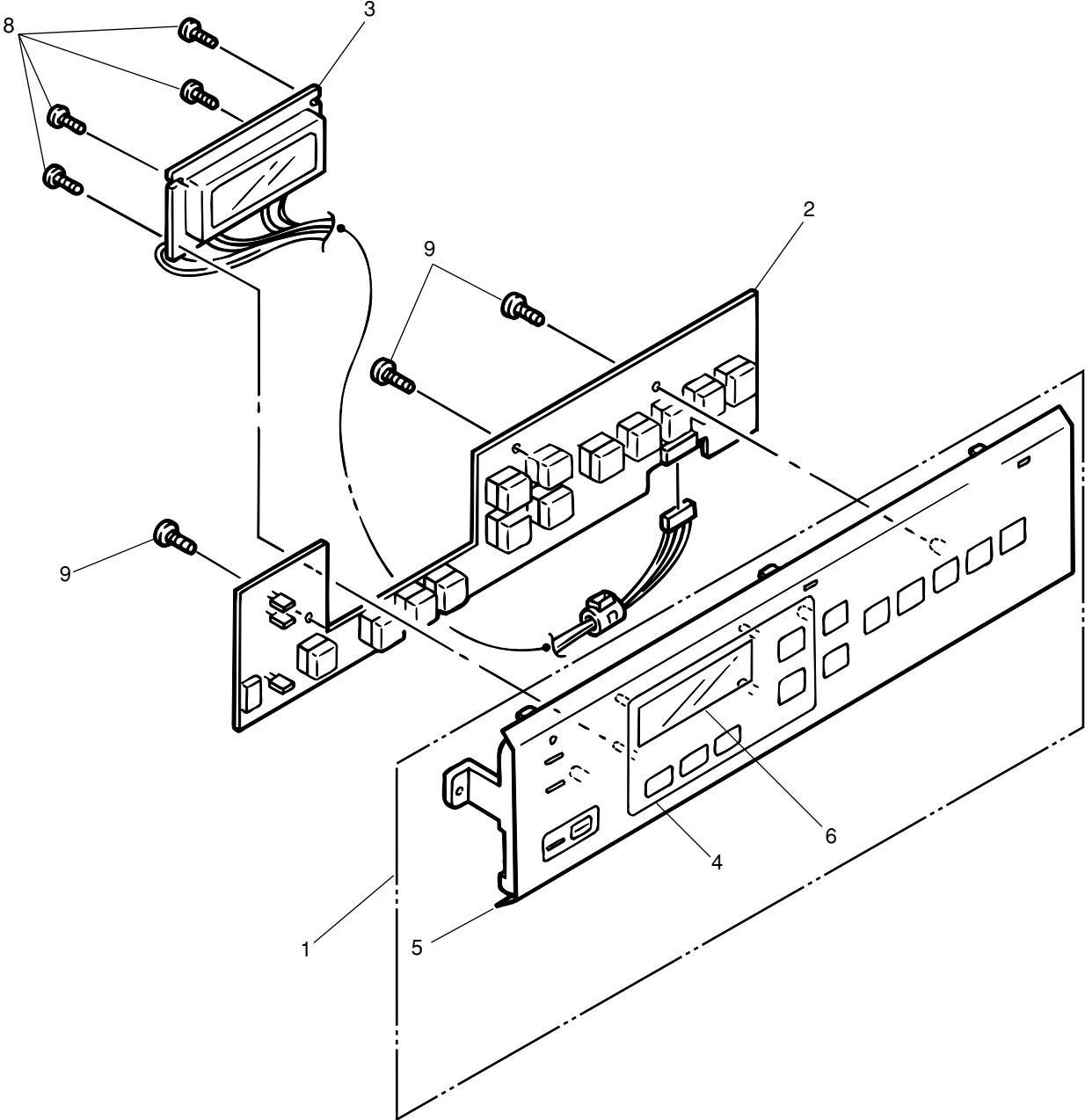
Rear Cover Assy



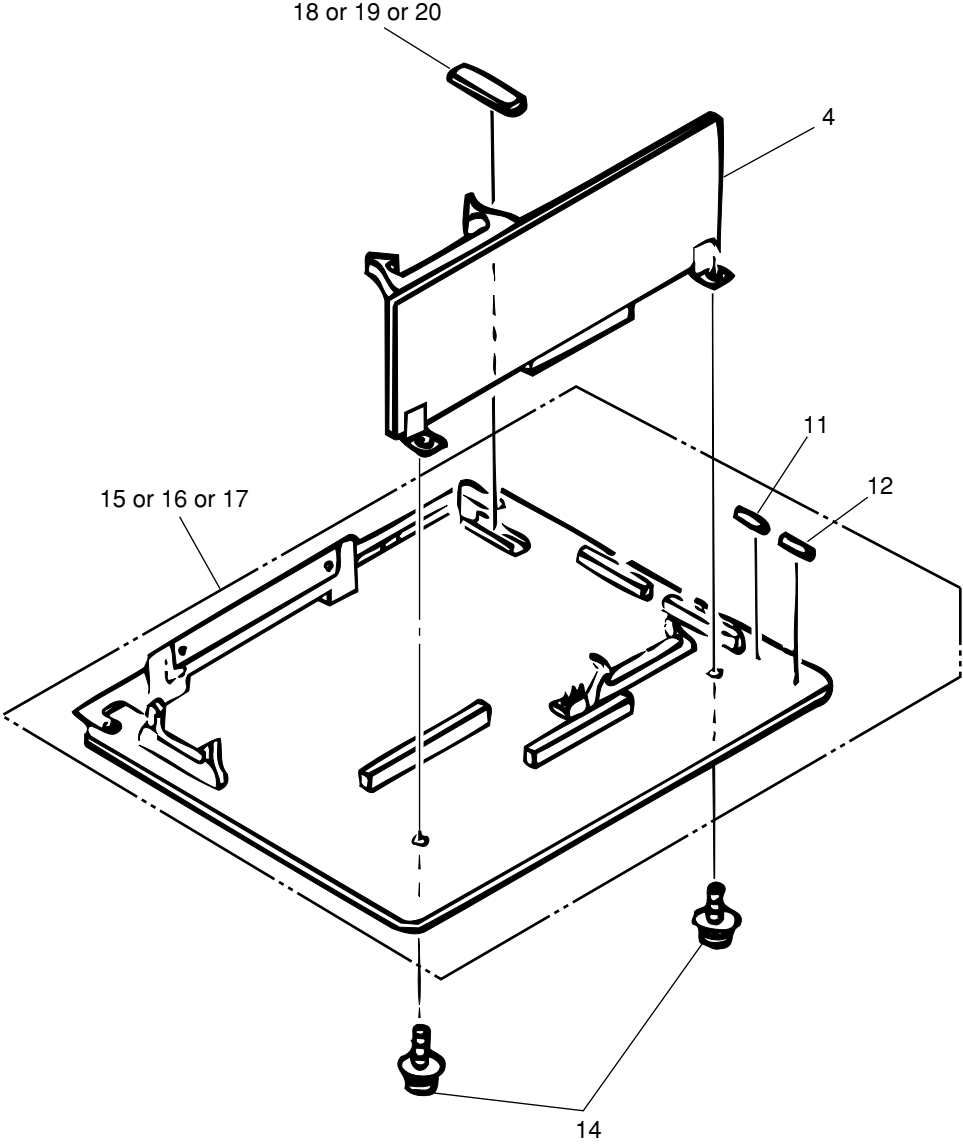
Access Cover



Frame Assy. - OpePane



Control / Driver Board Assy



Option Spere Parts

- ① Serial I/F Board
- ② Attachment Board

