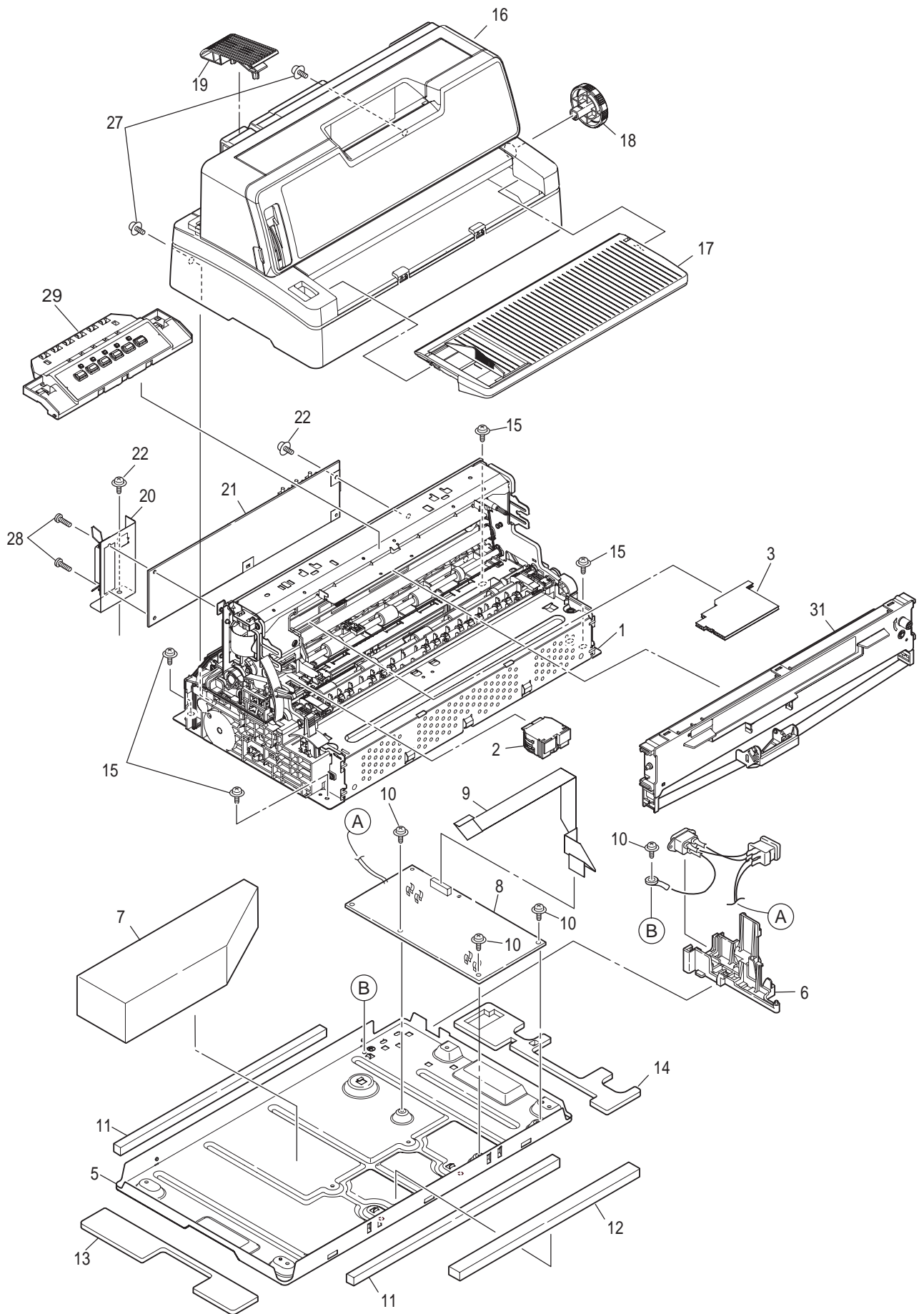


OEL Disassembly Drawing

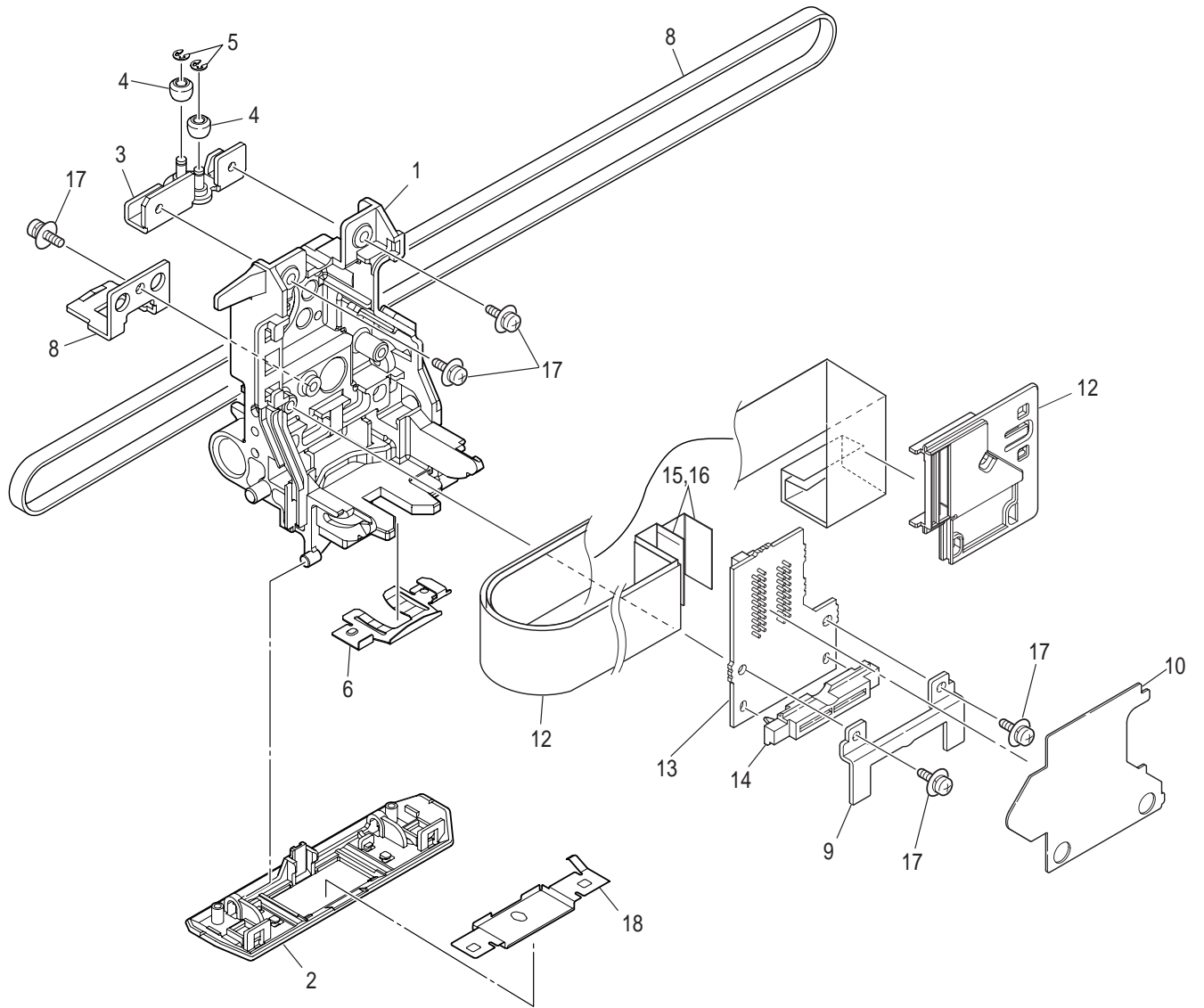
ML6300FB



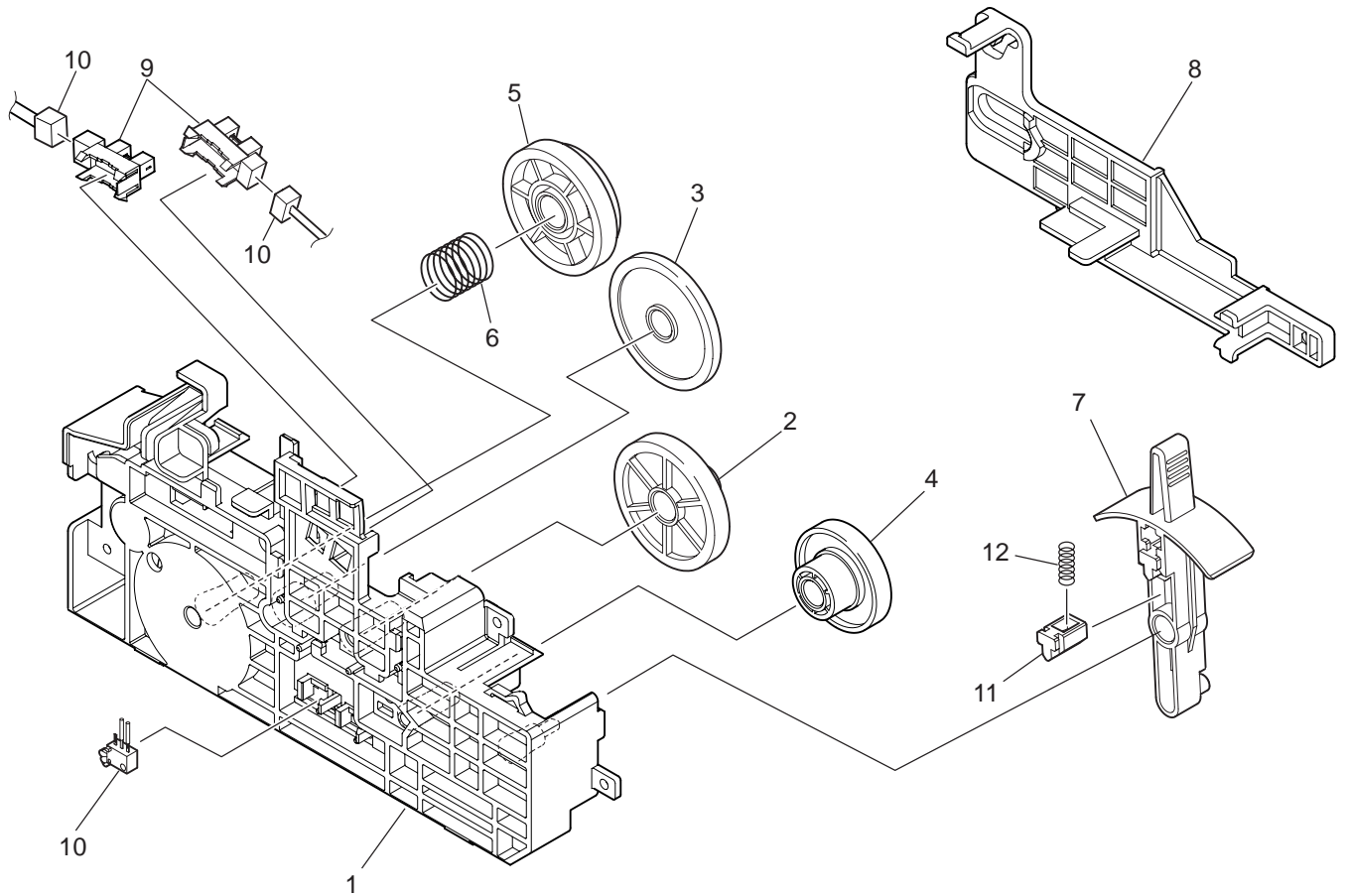
Revision 3



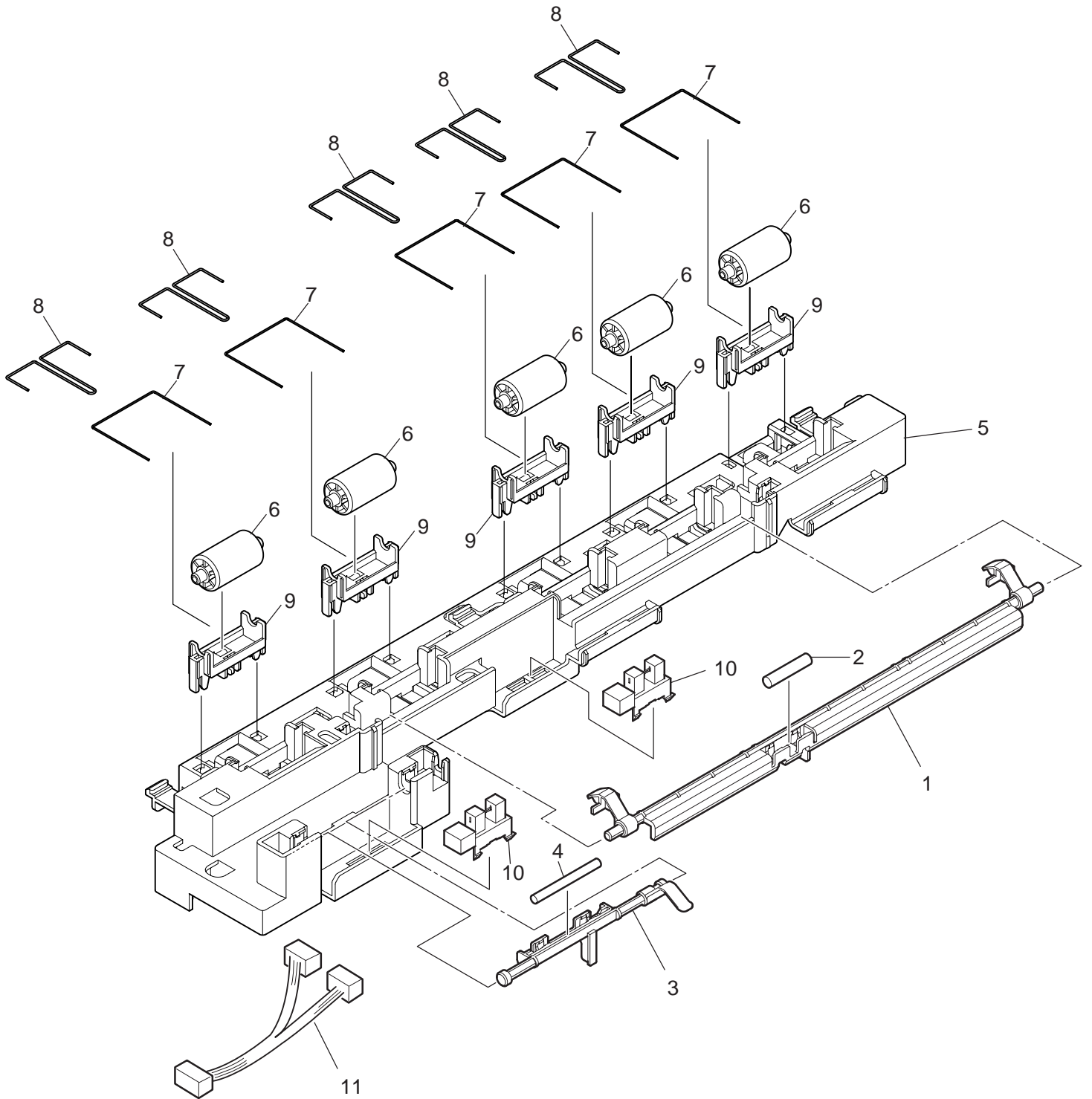
General Assembly Figure



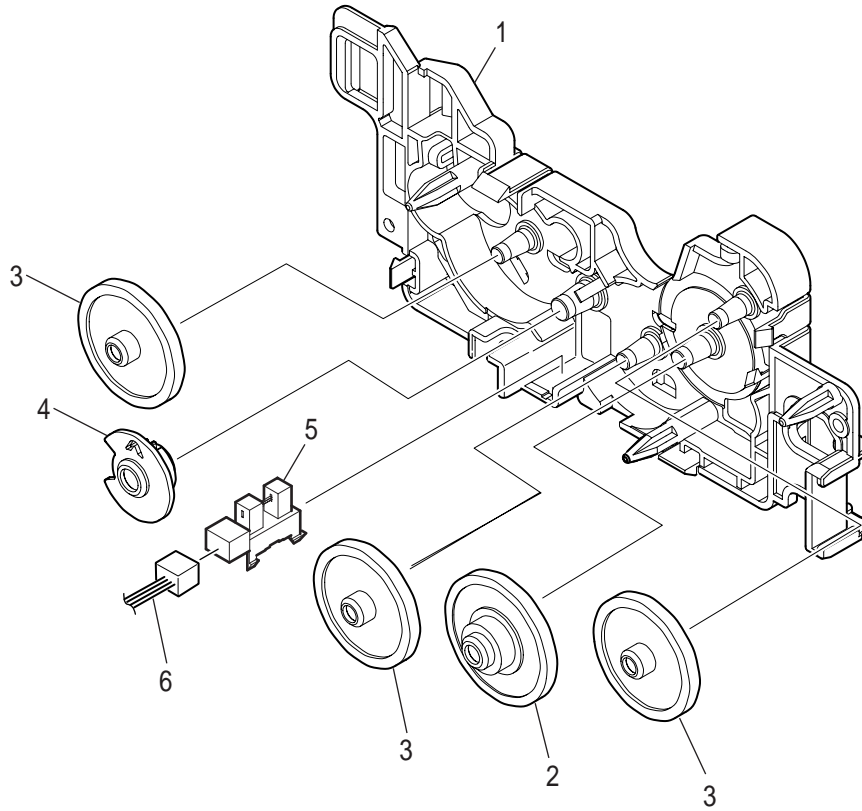
Carriage Assy



LF Unit Assy



Sensor Assy



Gear Frame Assy