

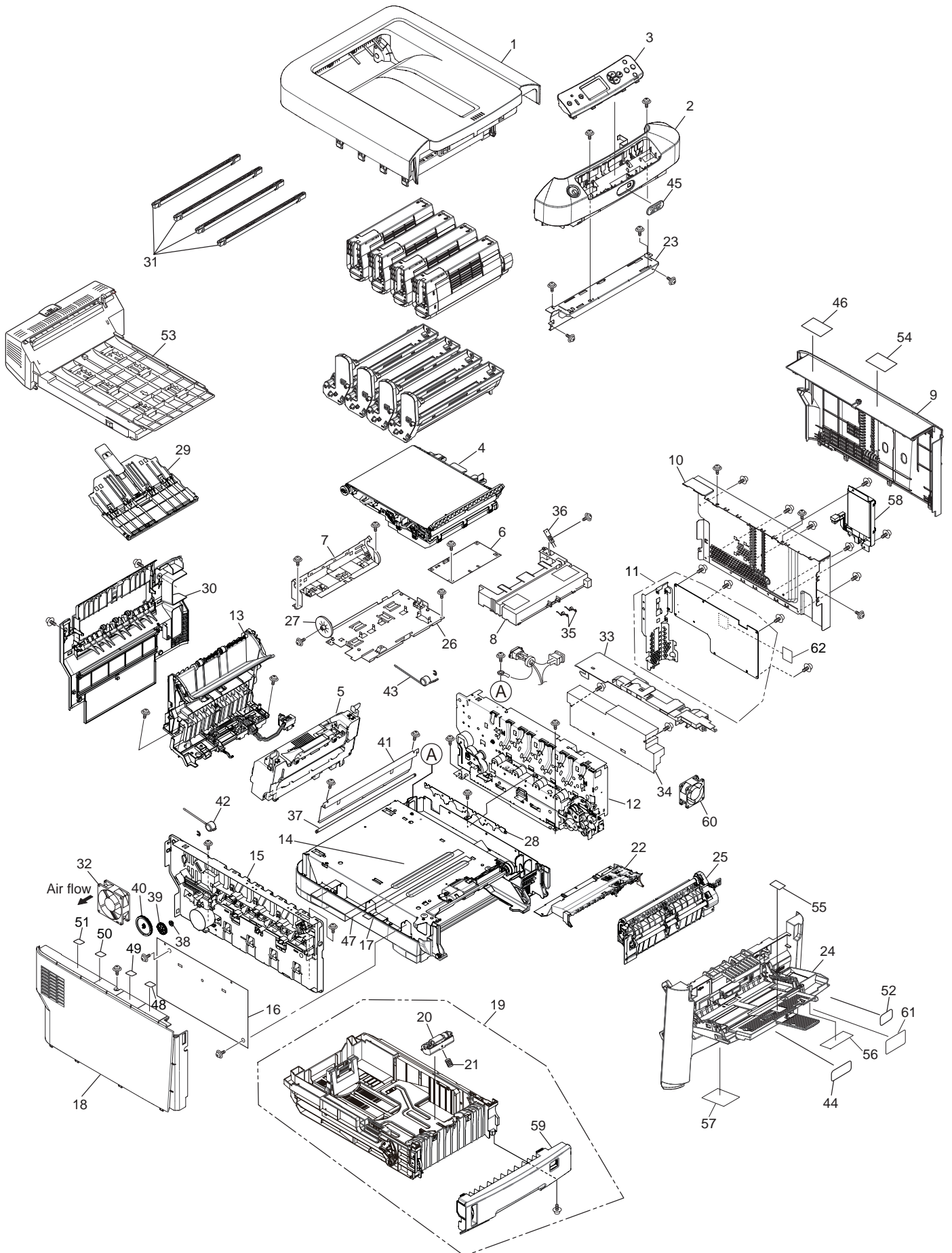
OEL Spare Parts Drawing

C711/C711DM/C711wt/
ES7411/ES7411DM/ES7411wt

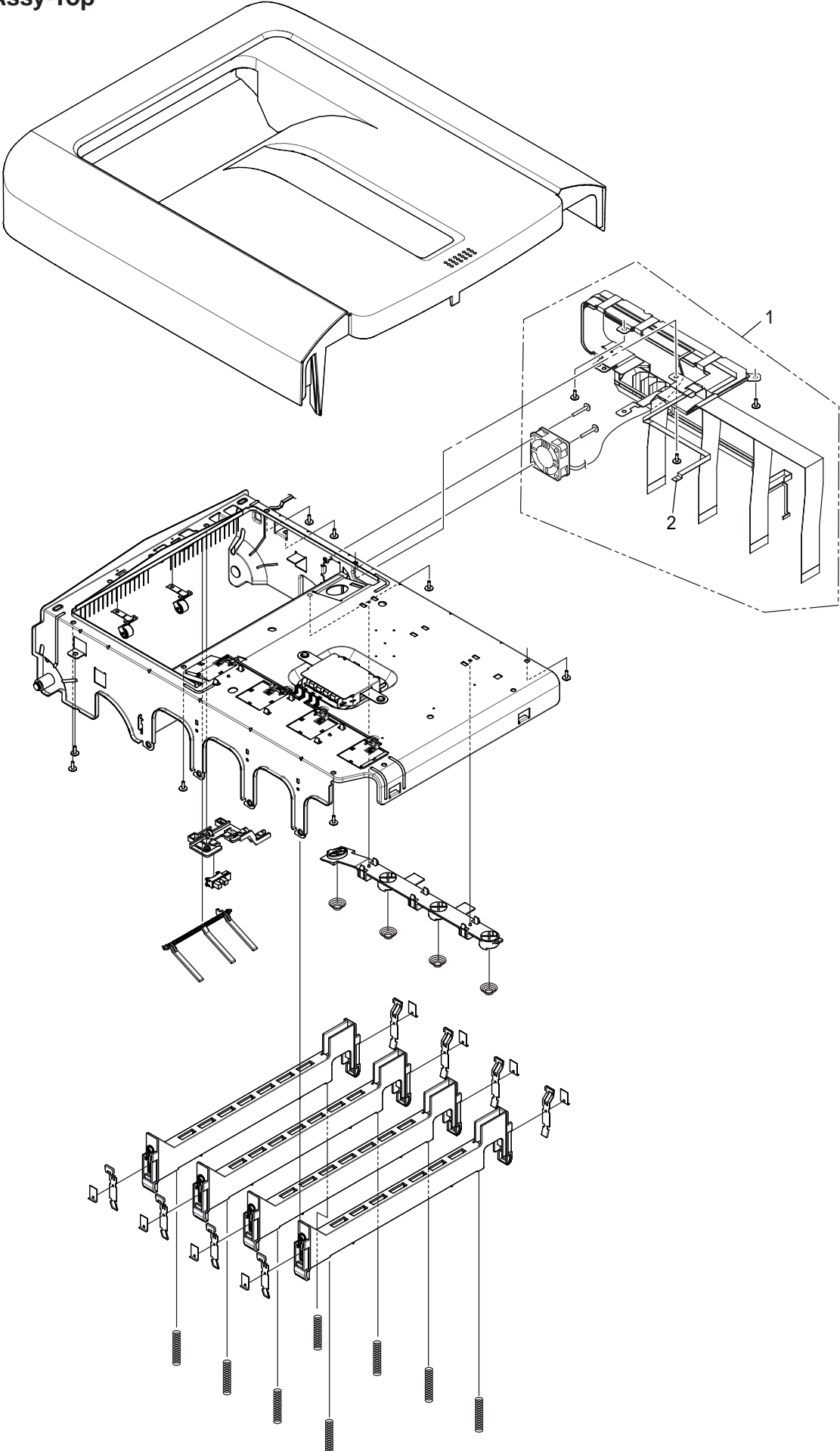


Revision 7

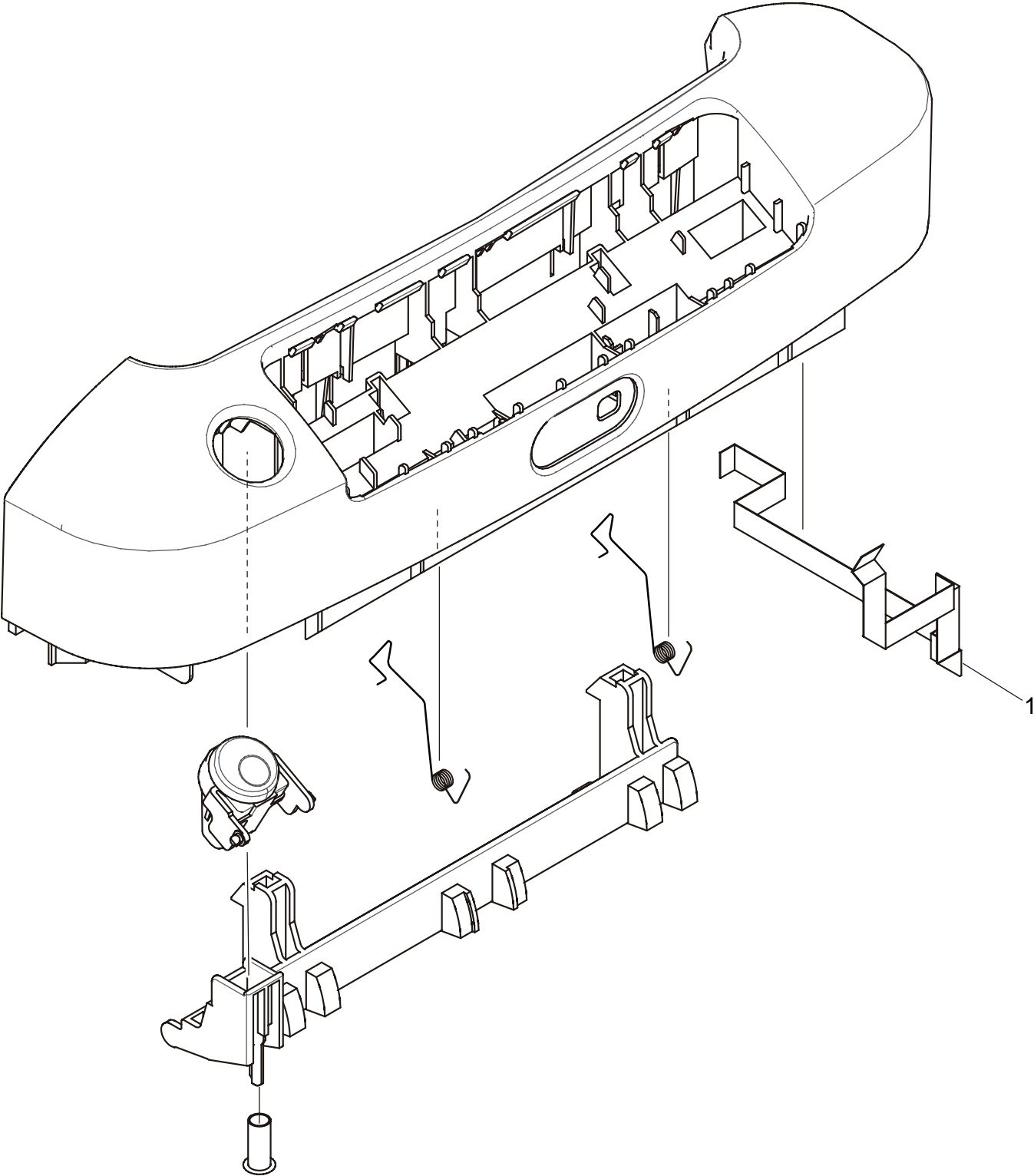
Printer NIP



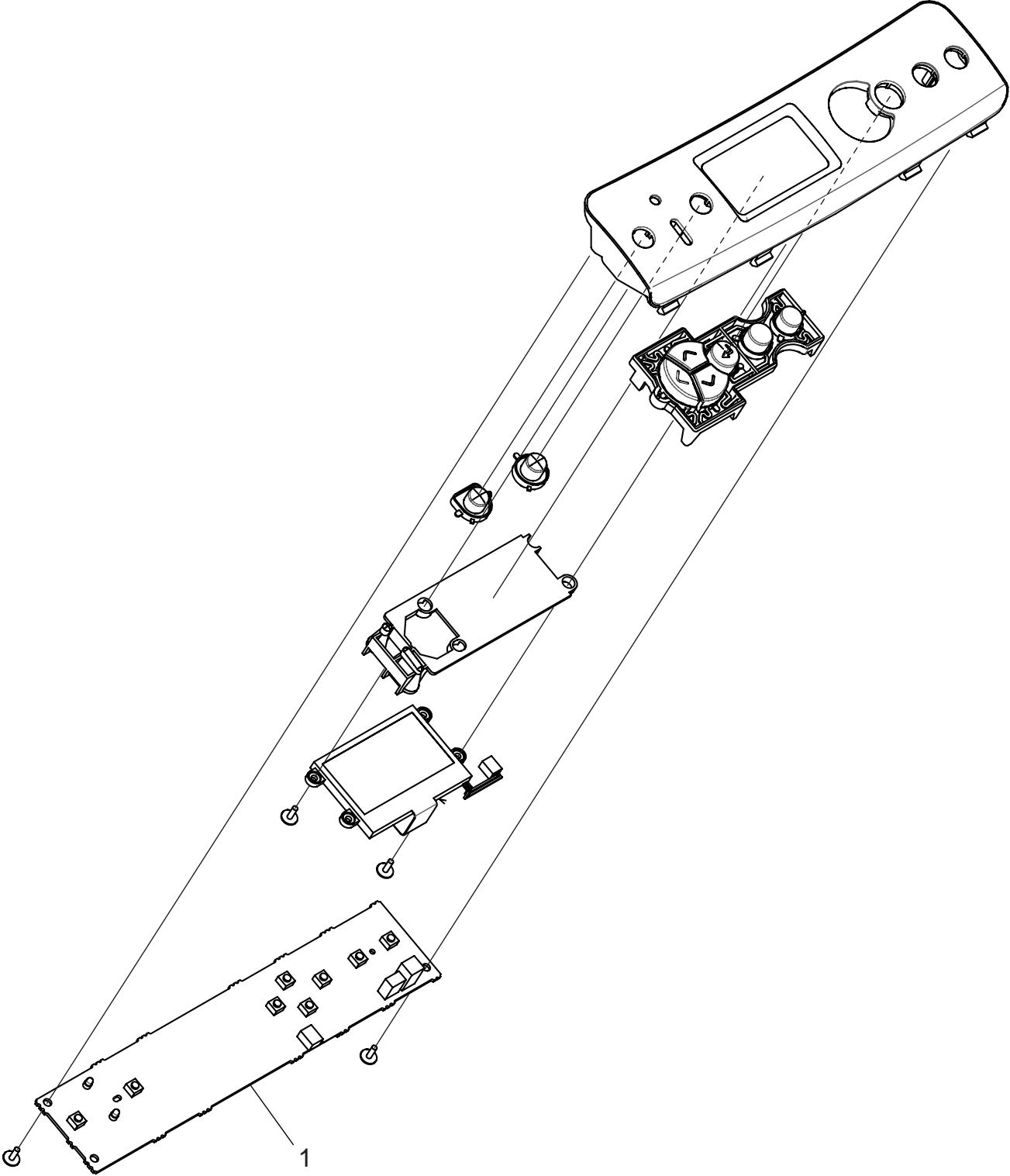
Cover-Assy-Top



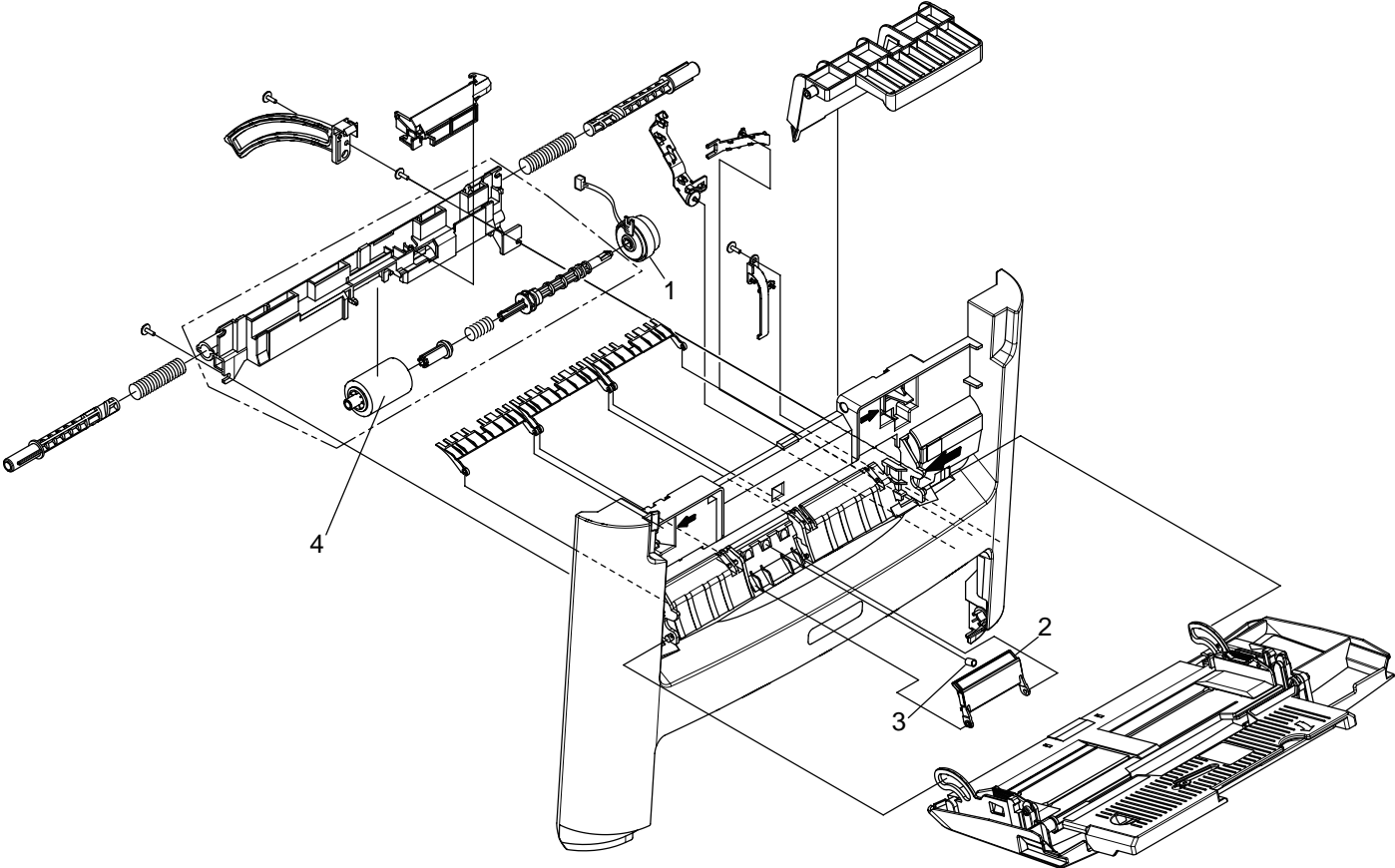
Frame Assy-OP



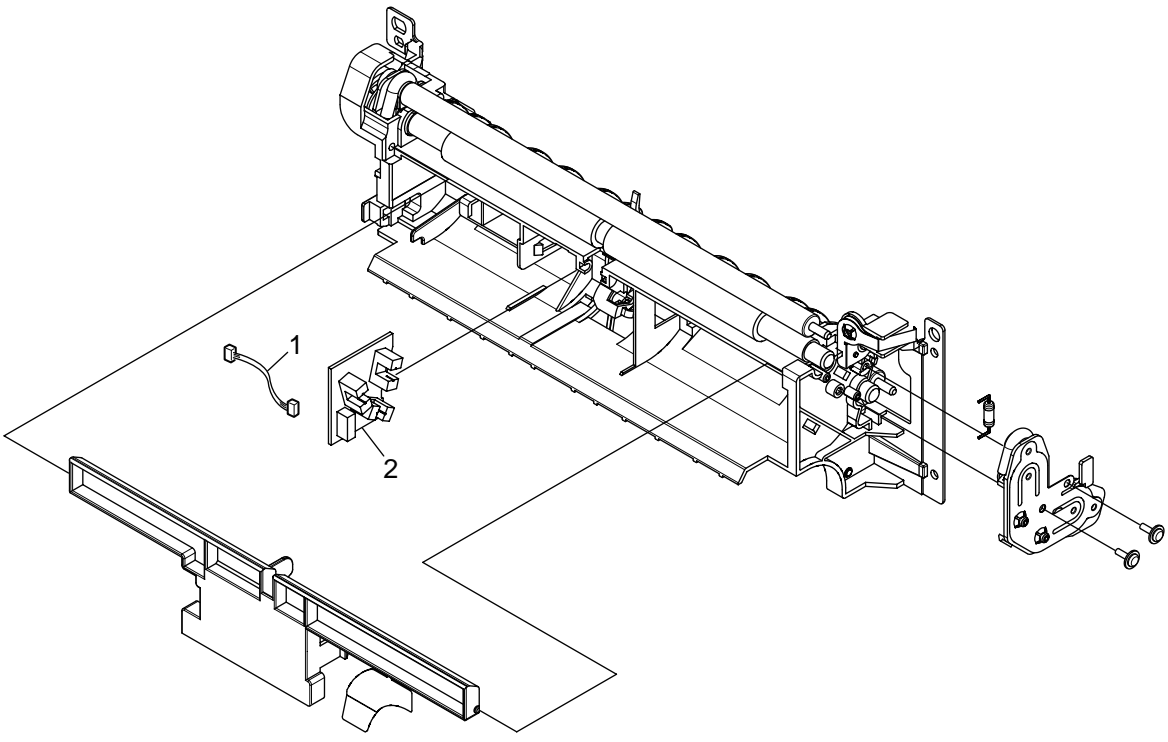
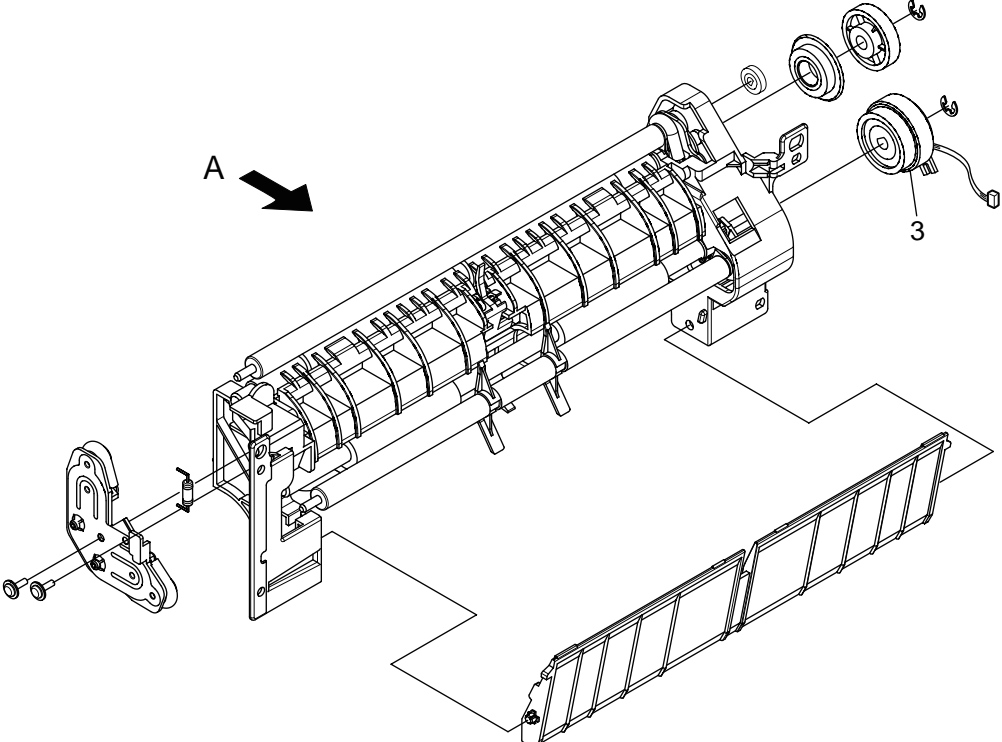
Cover Assy-OP



Cover-Assy-Front



Feeder-Assy-Regist



View on Arrow A

Plate-Assy-Side R (PX757)

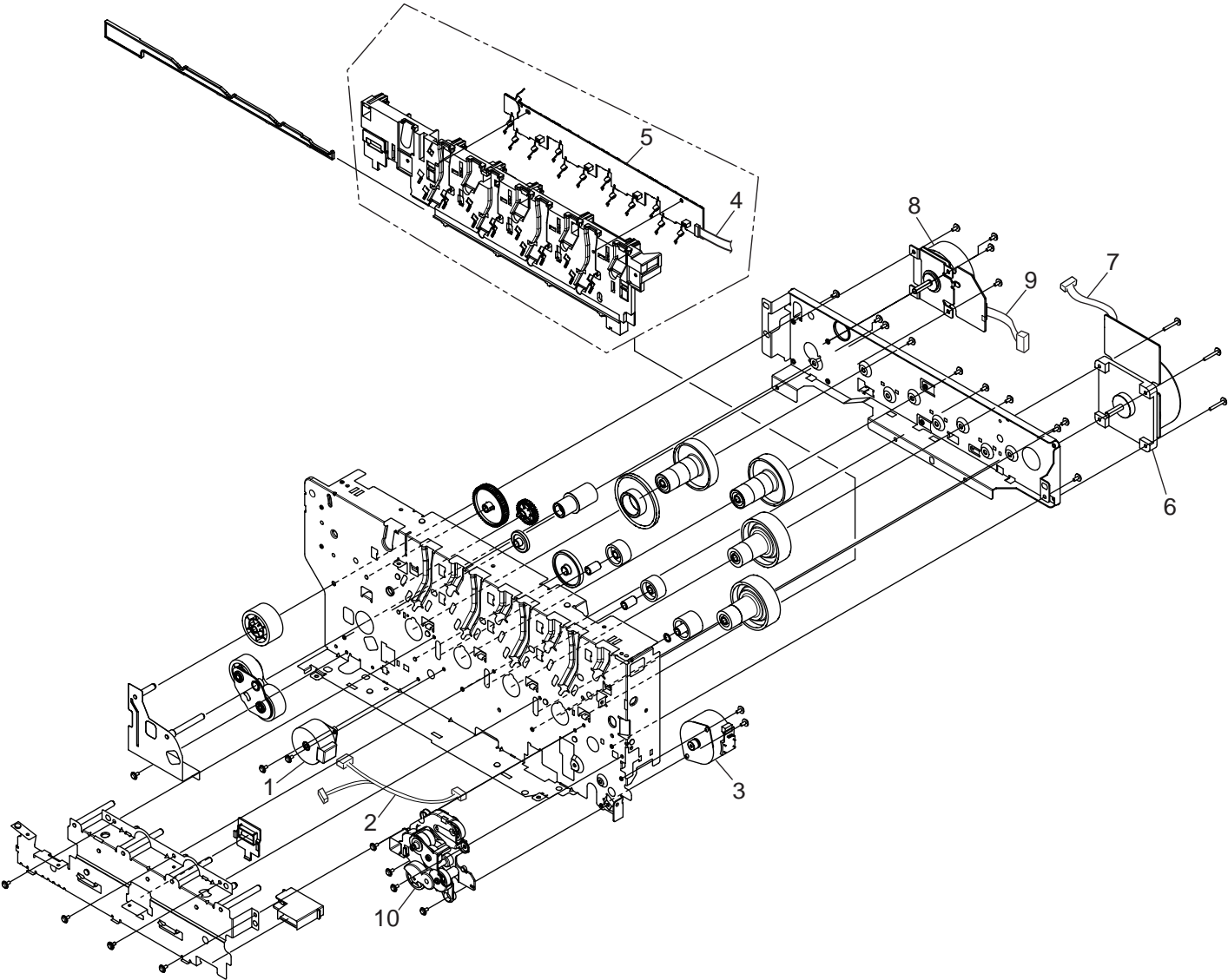


Plate-Assy-Side L (PX757)

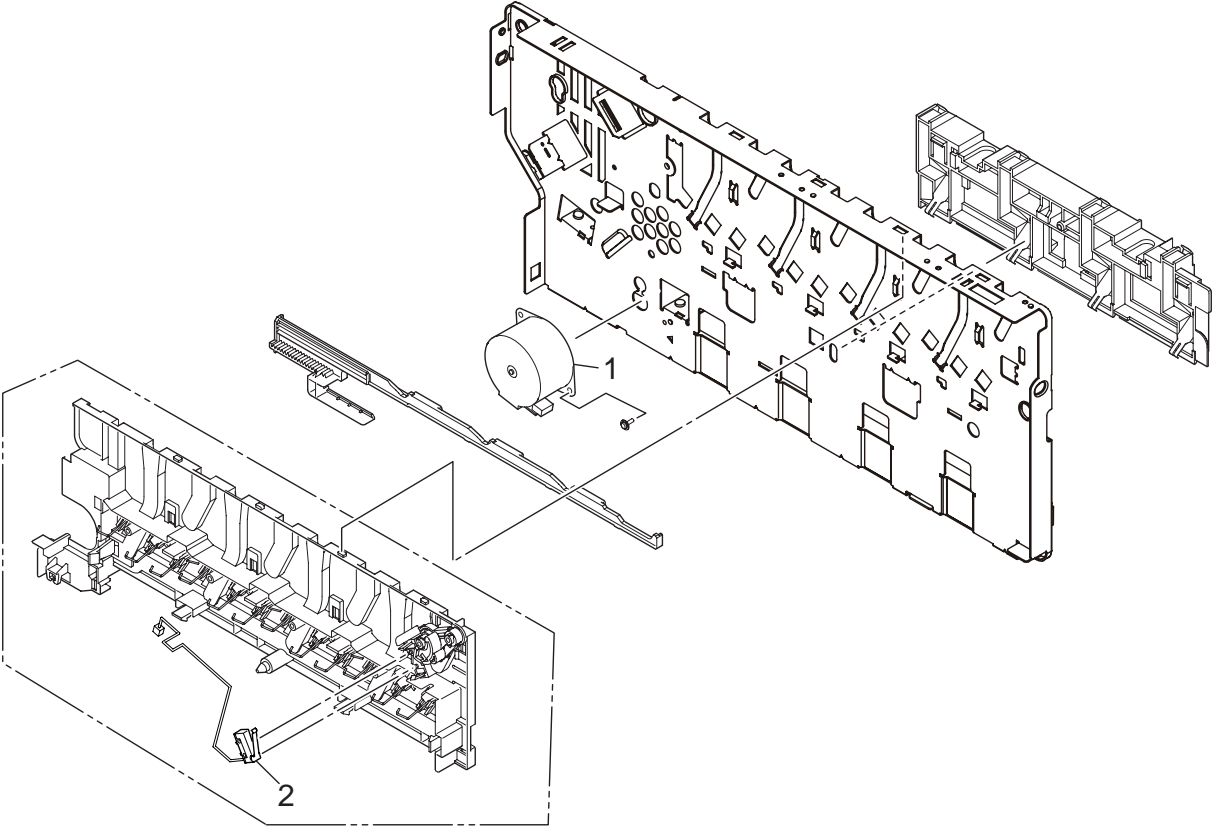
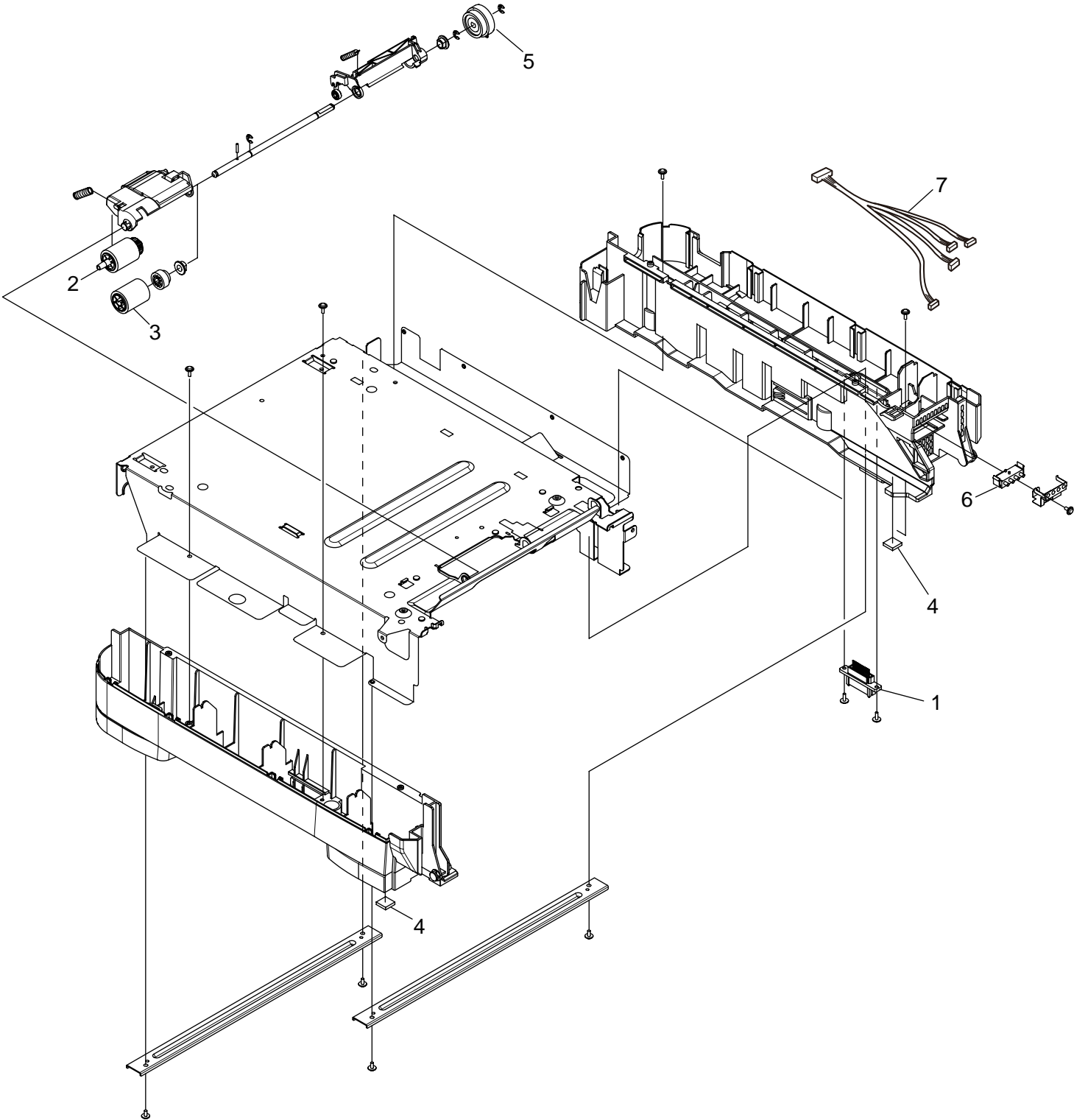
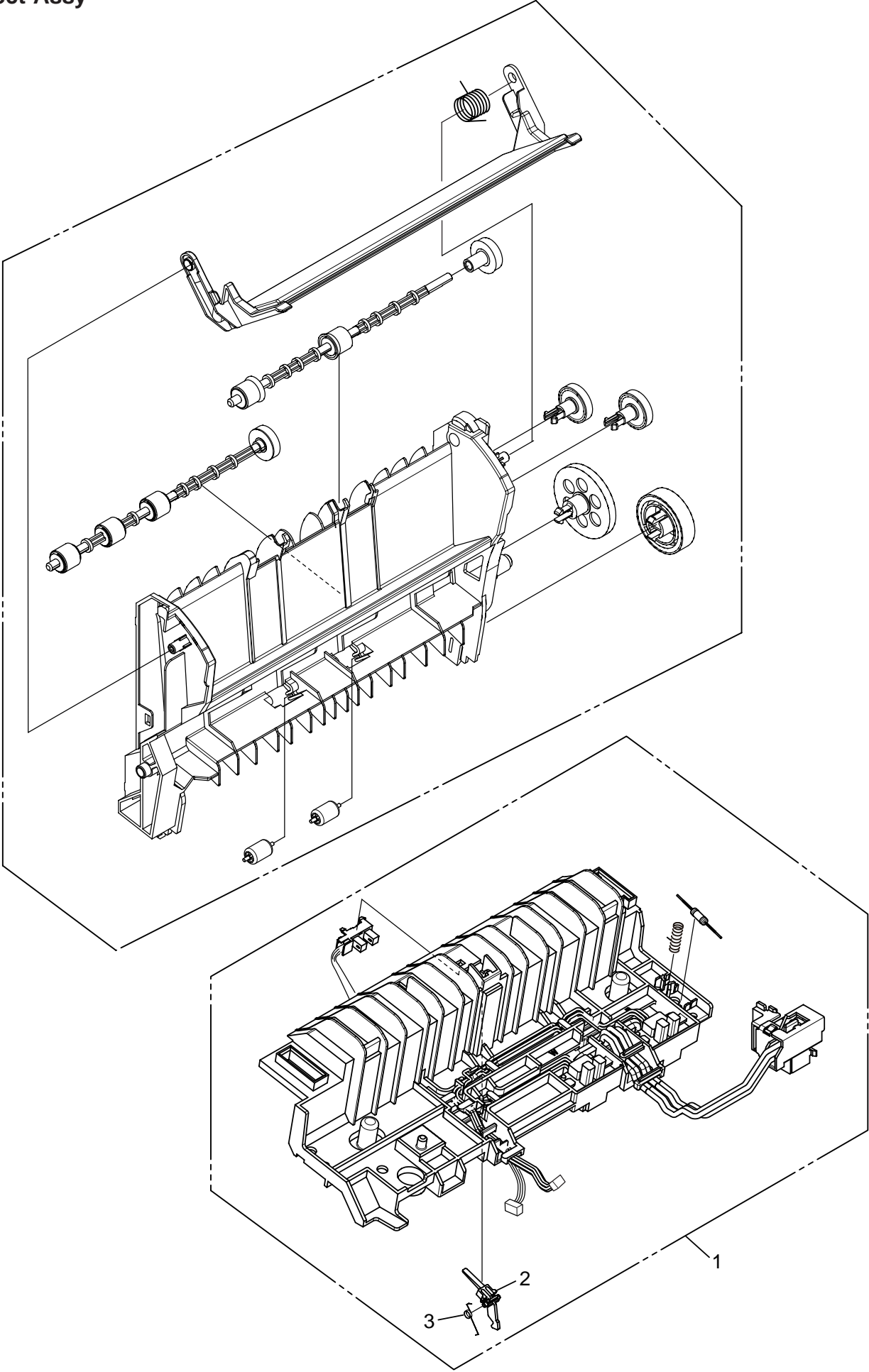


Plate-Assy-Base



Eject-Assy



Interface Cable
Web61 only

