

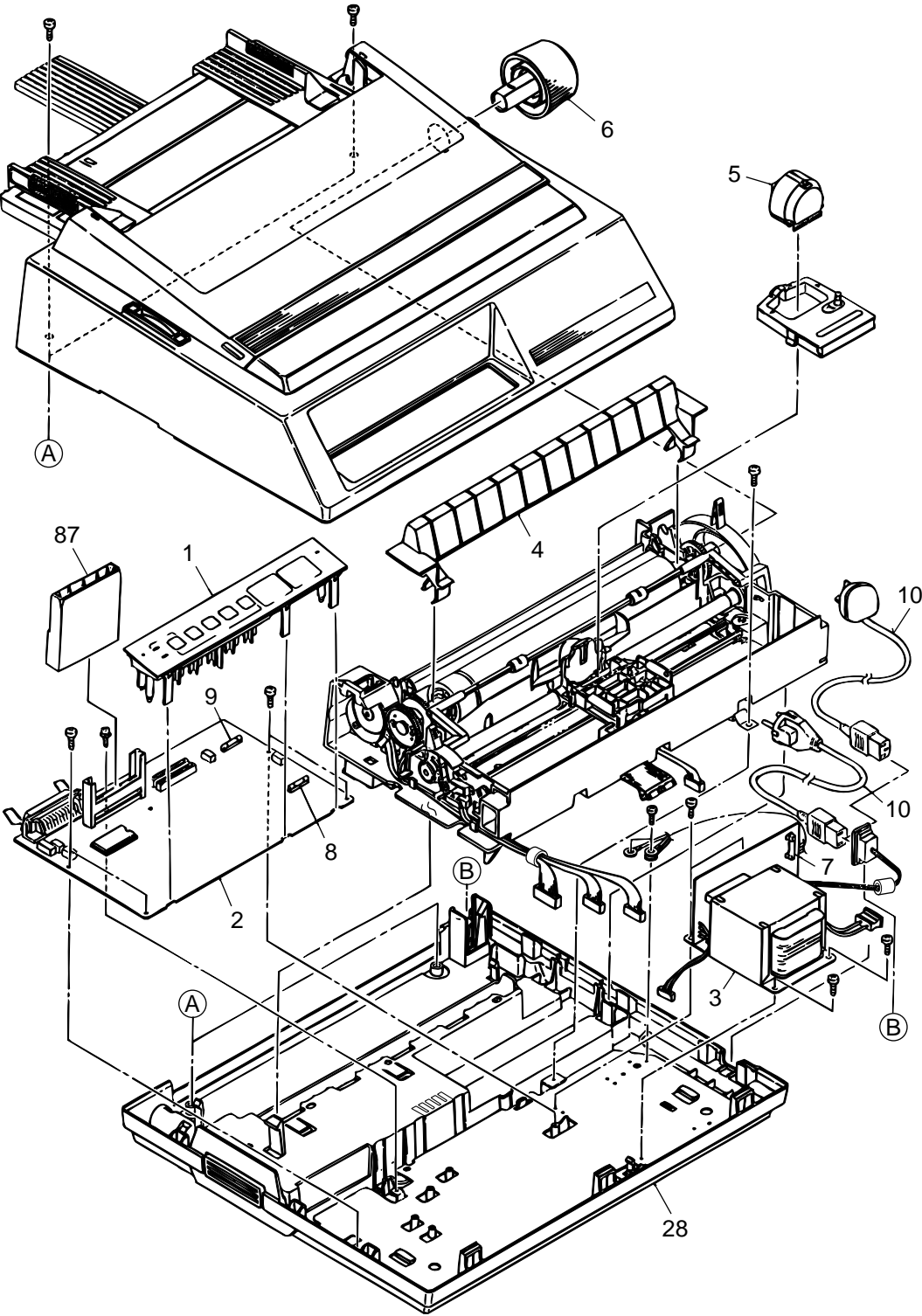
# OEL Disassembly Drawing

ML380

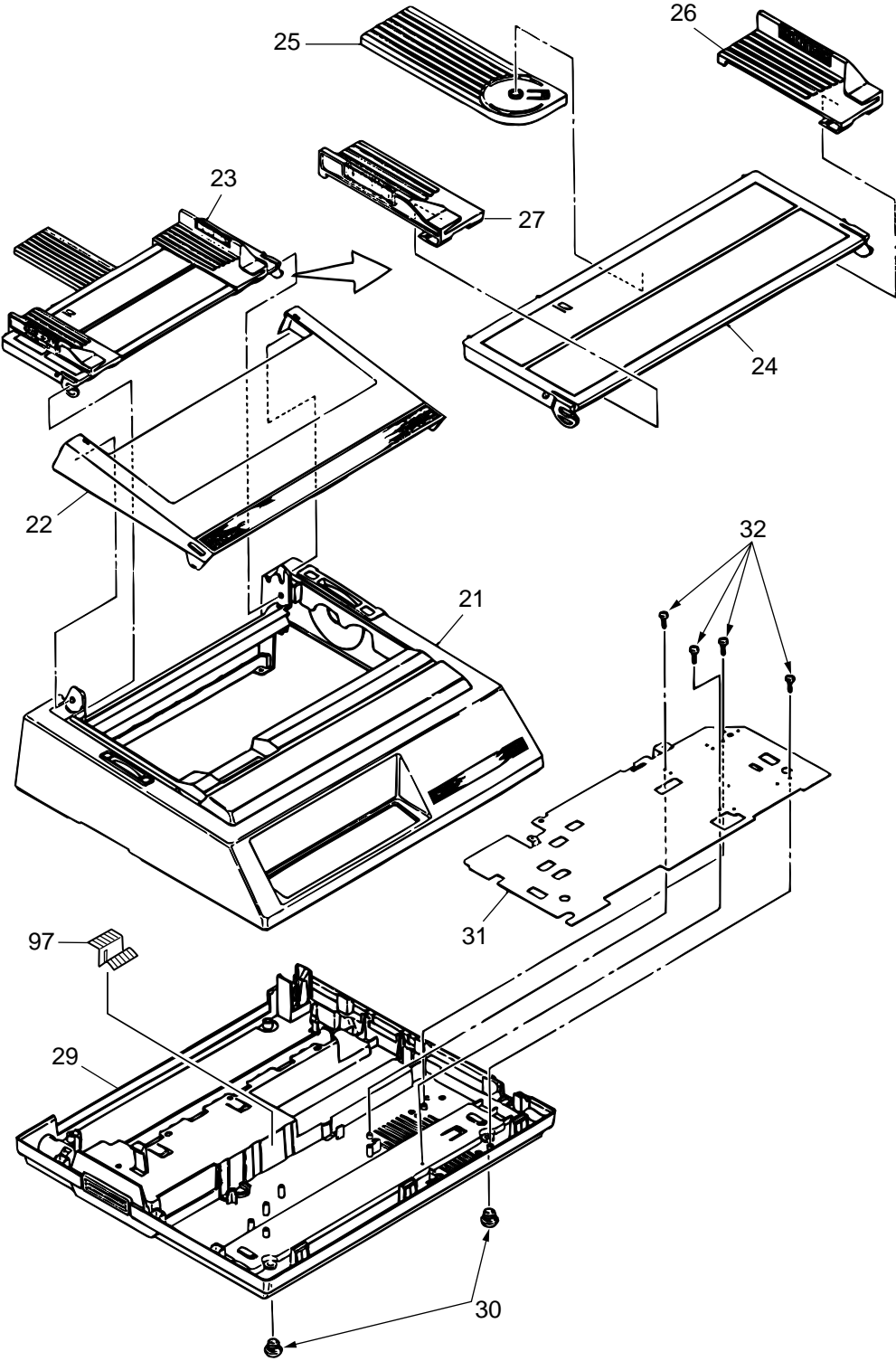


Revision 1

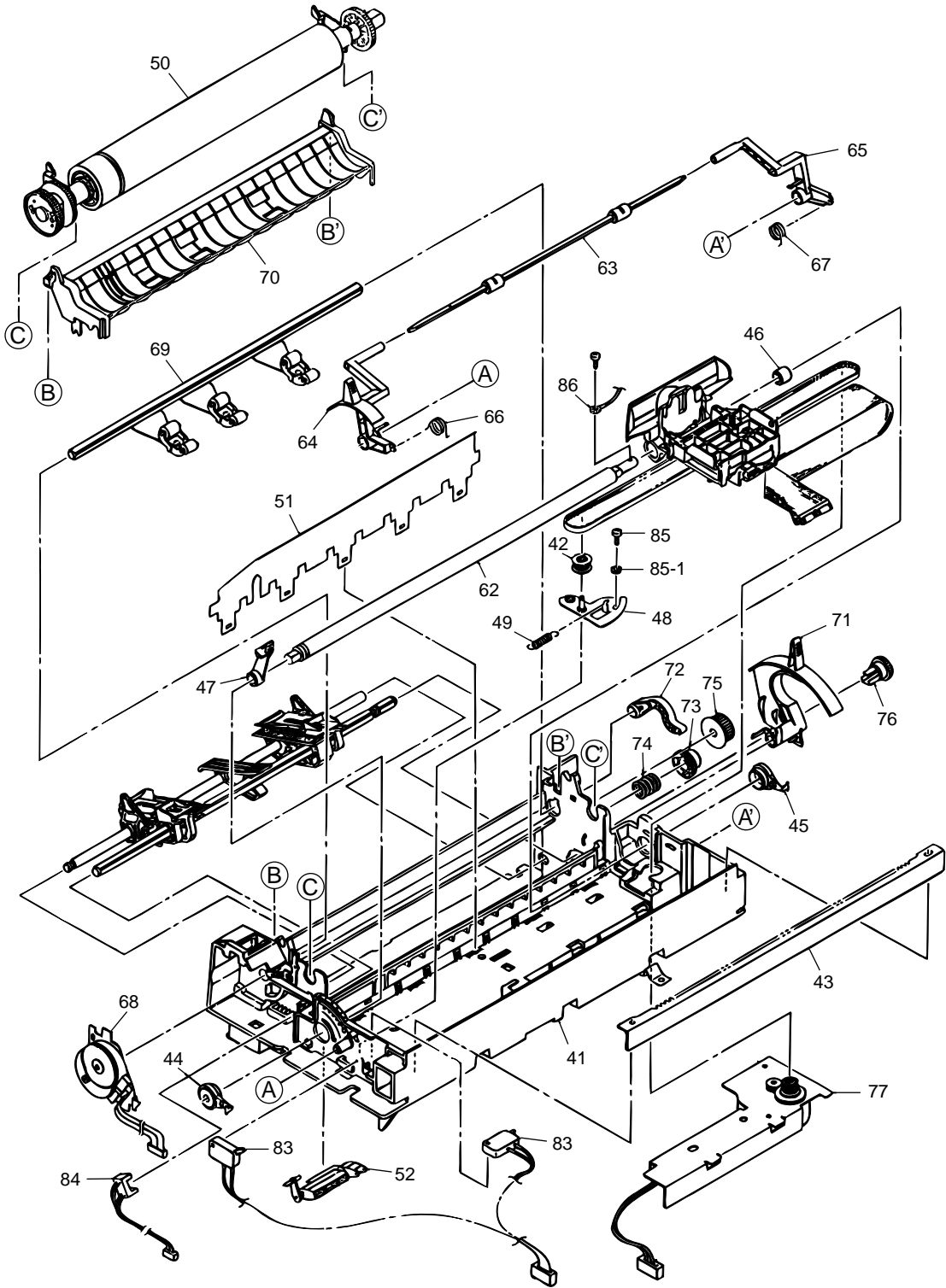
# Printer unit



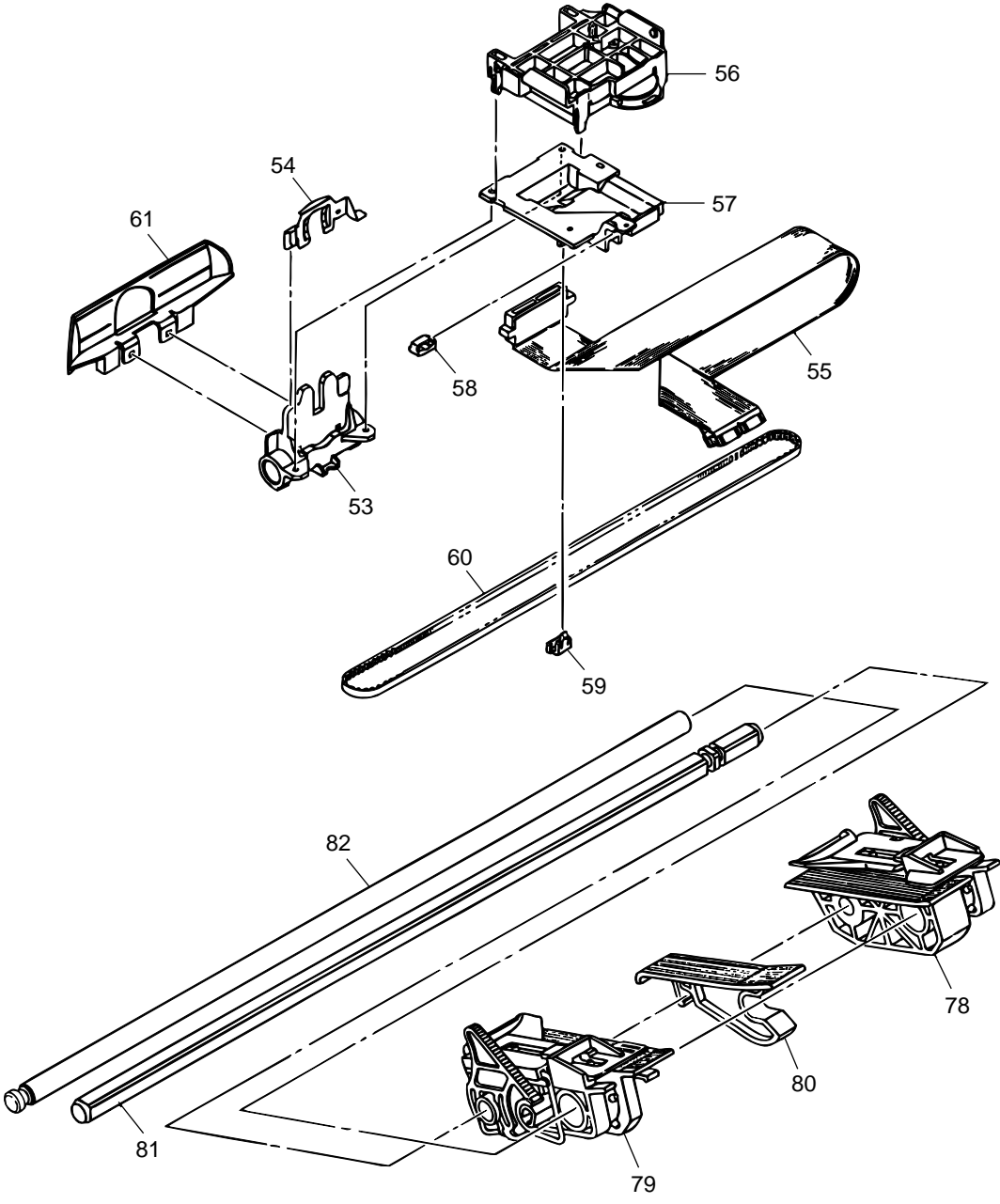
# Cover parts



# Printer mechanism(1/2)



# Printer mechanism(2/2)



Option parts

