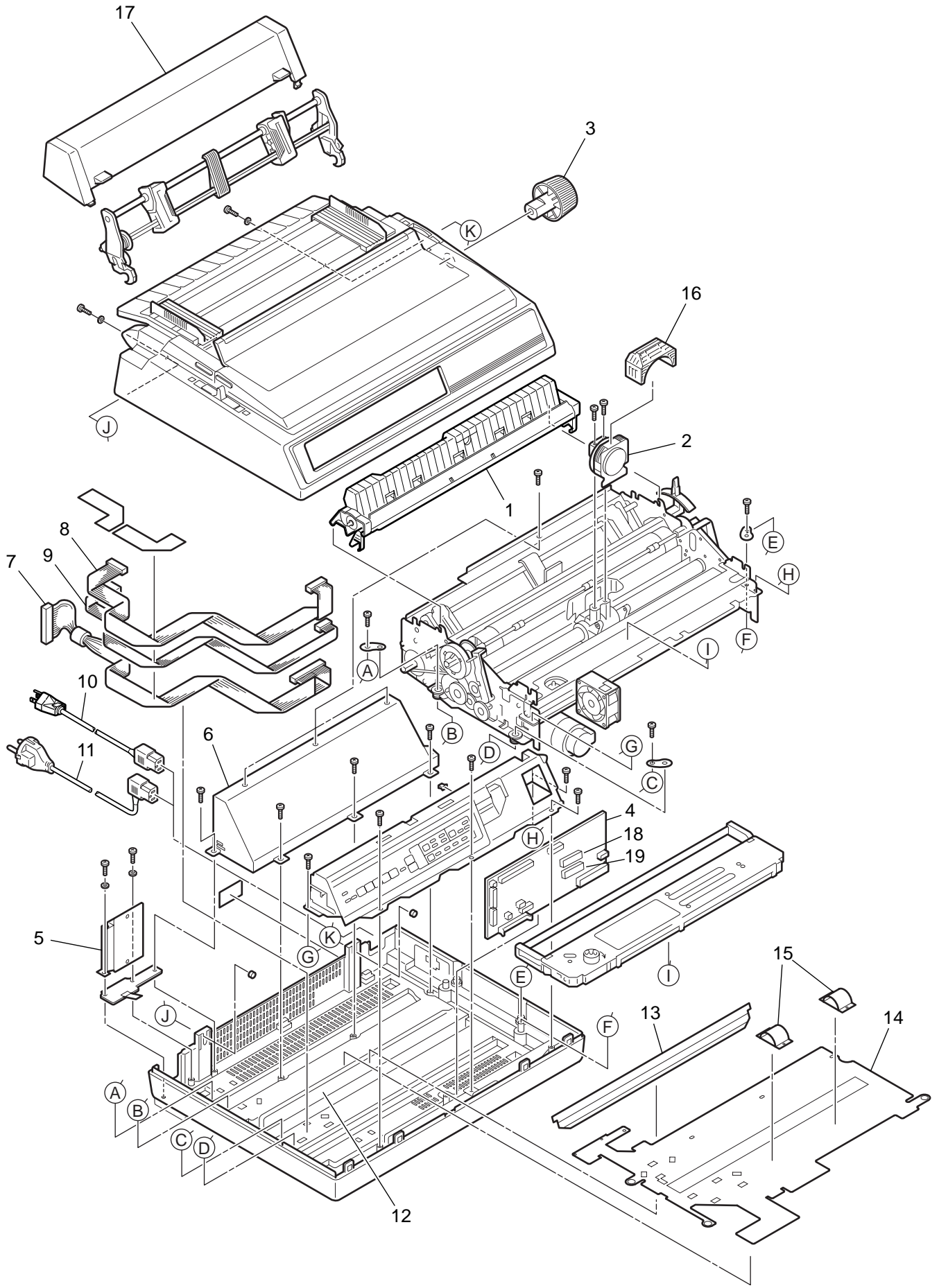


OEL Disassembly Drawing

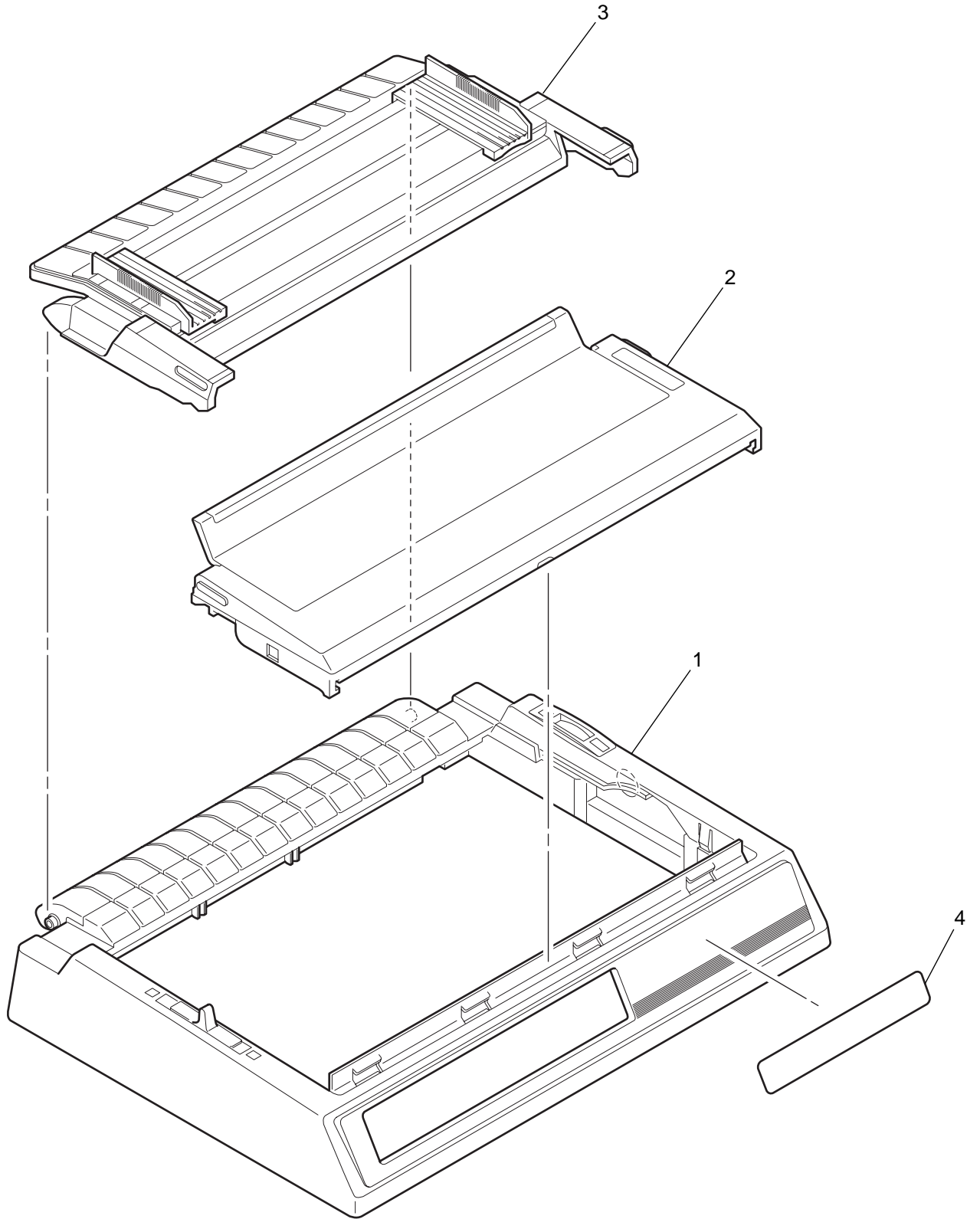
ML395



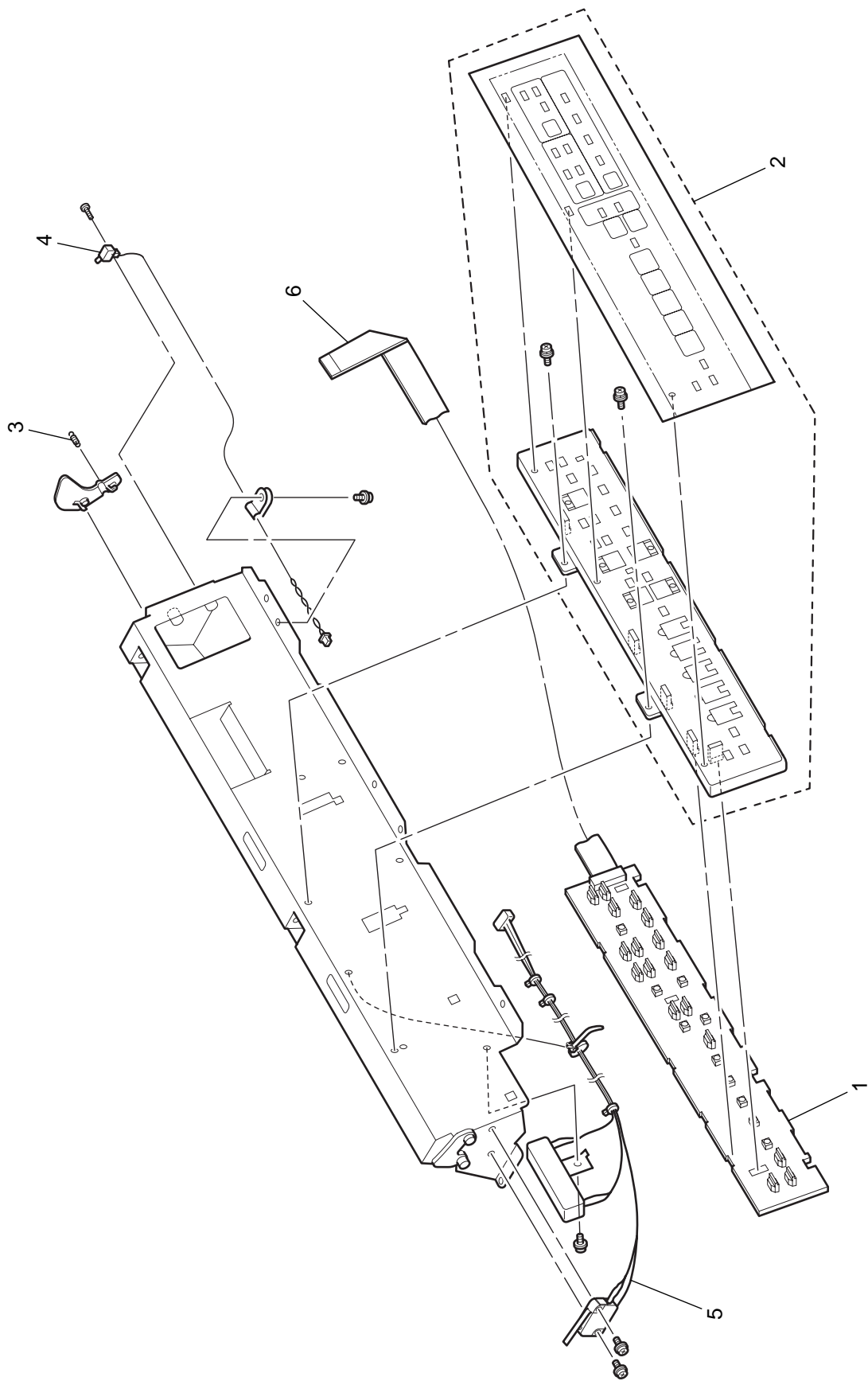
Revision 3



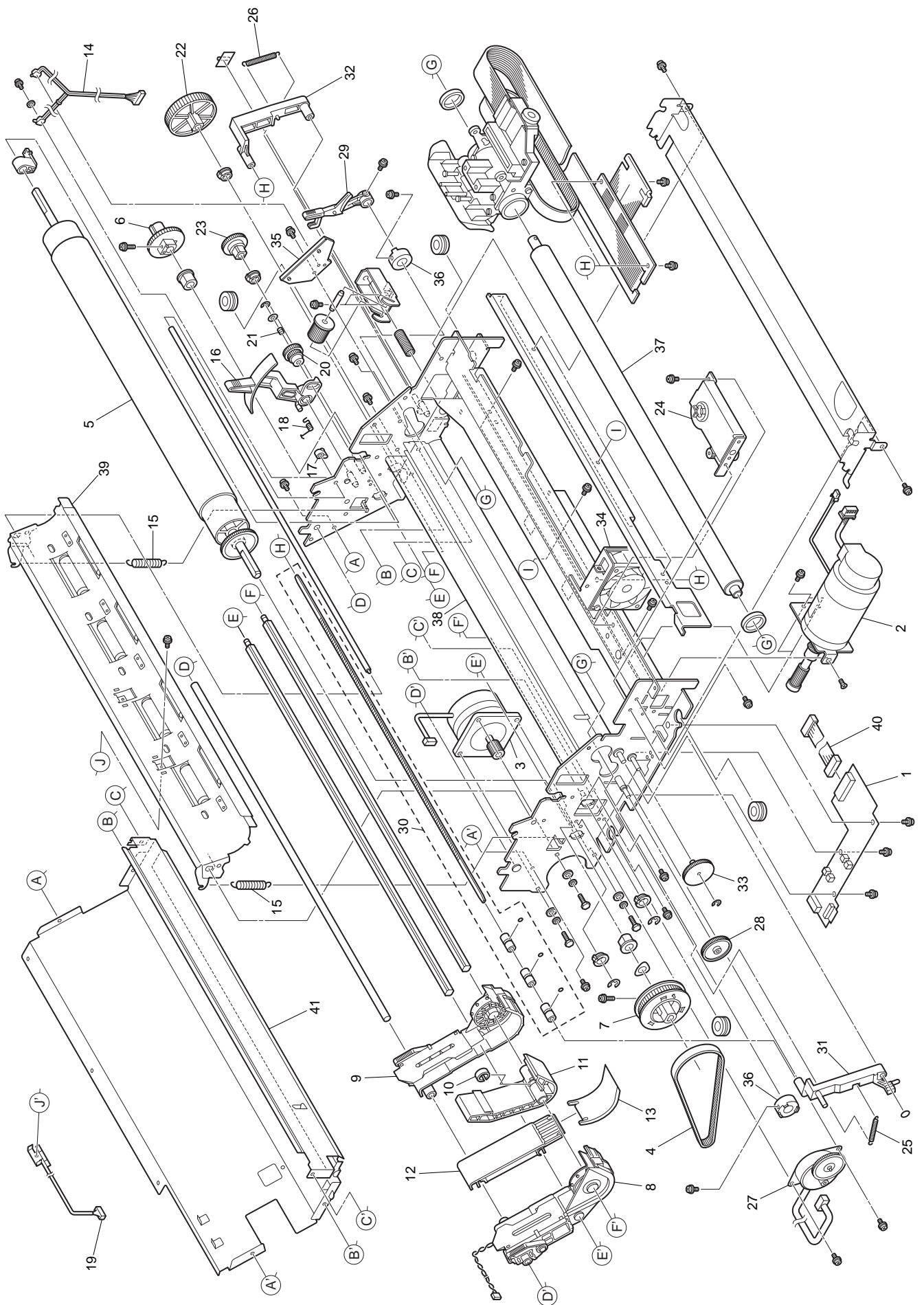
Printer Unit general assembly



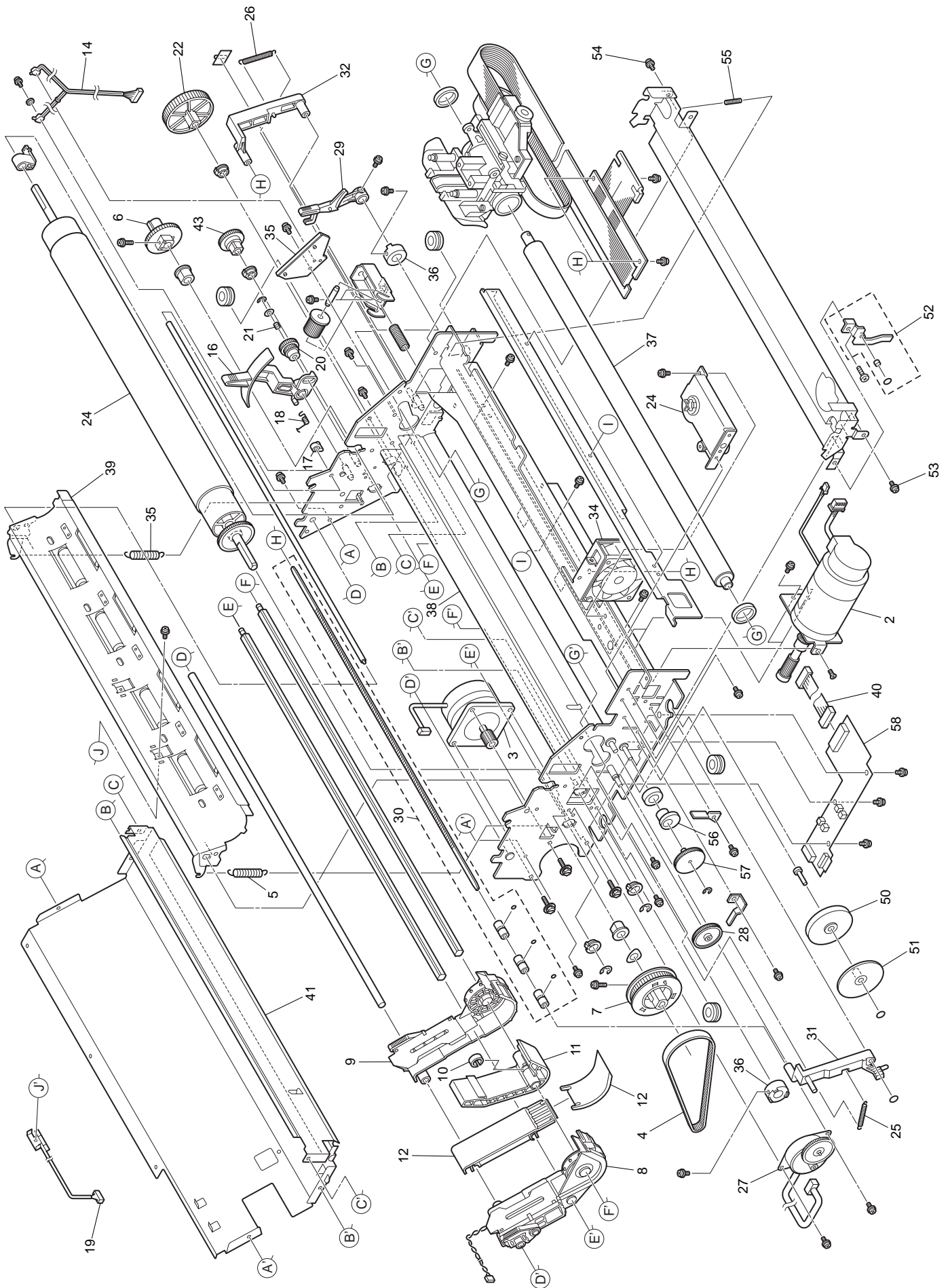
Upper cover assembly



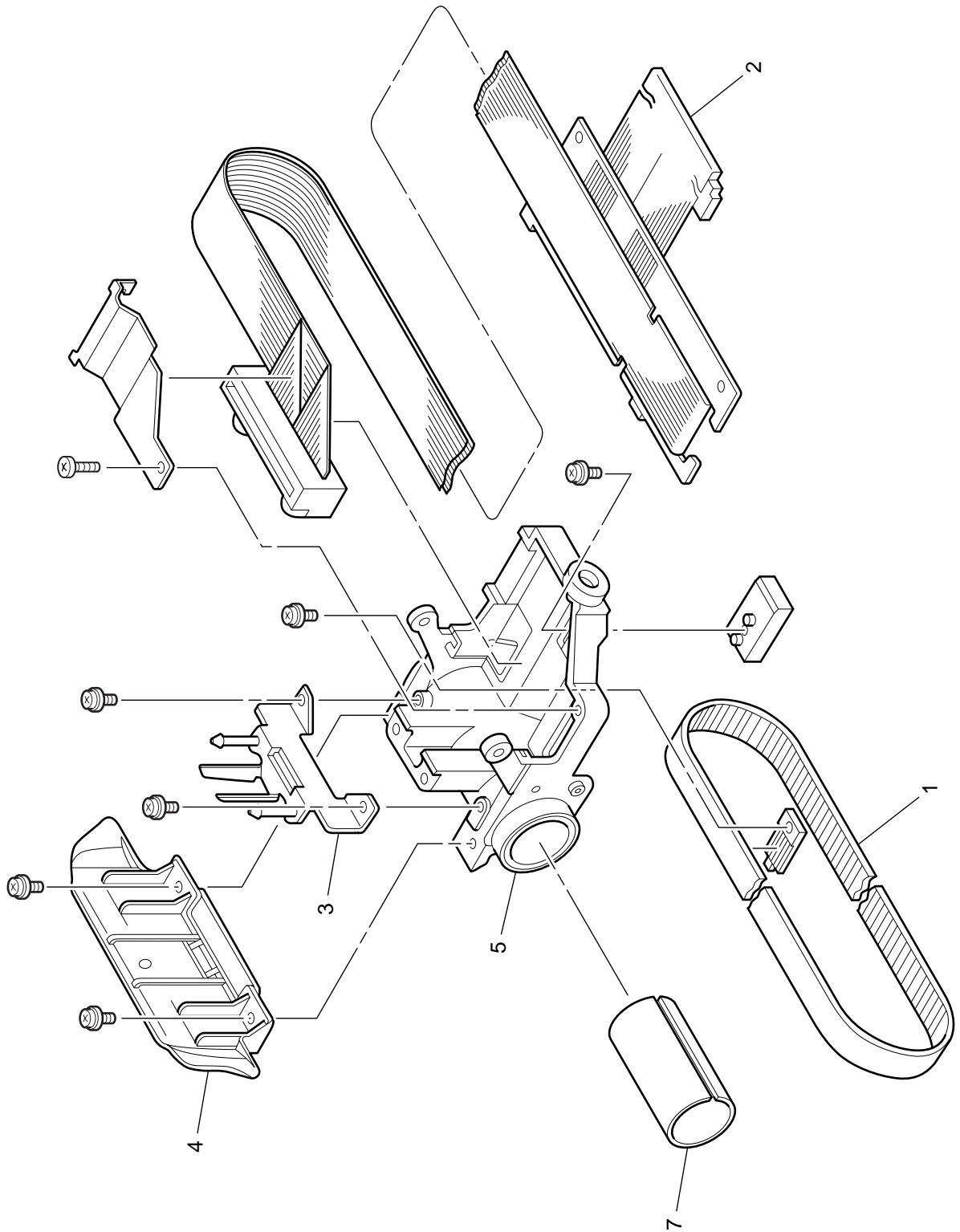
Shield cover assembly



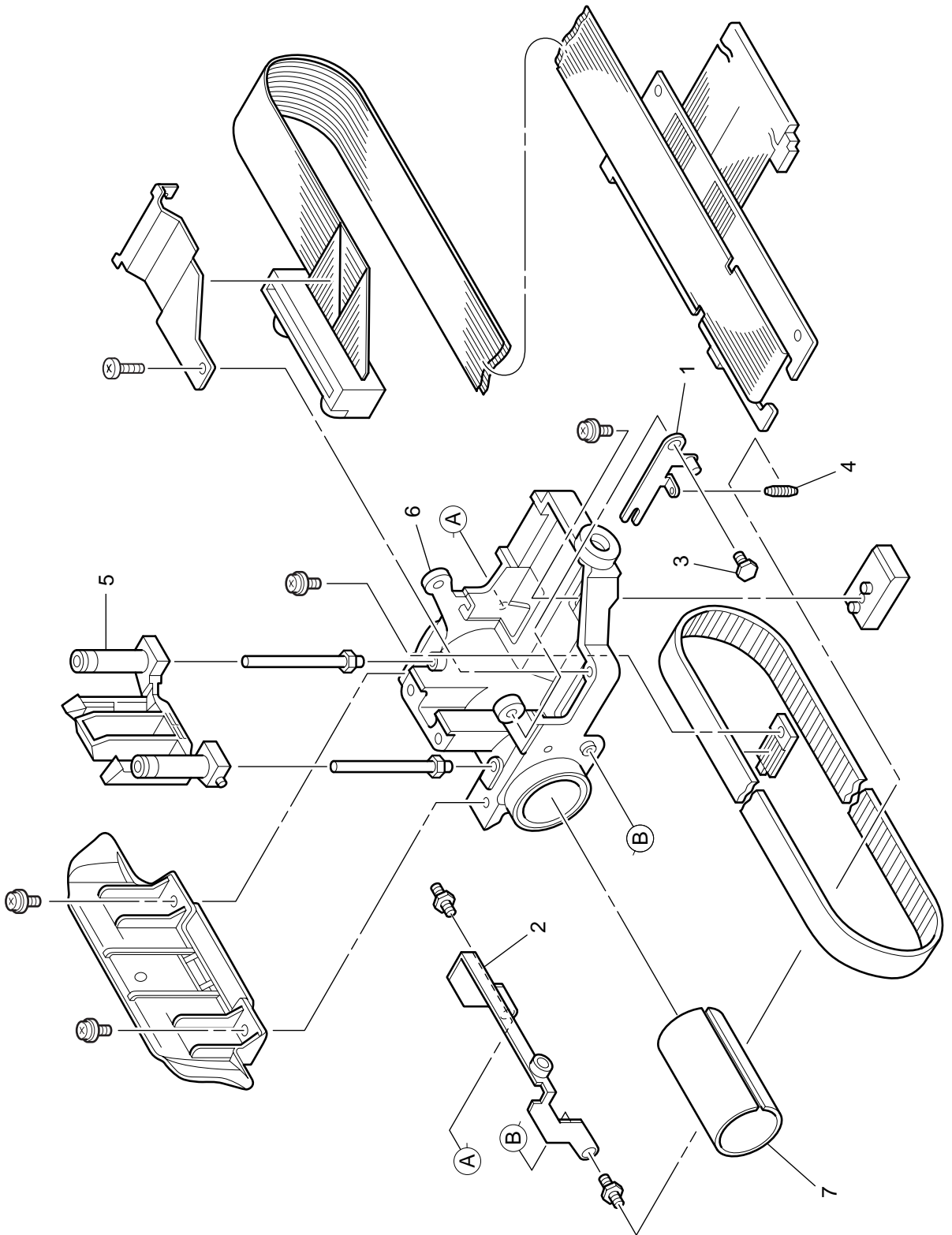
Printer mechanism(Monochrome model)



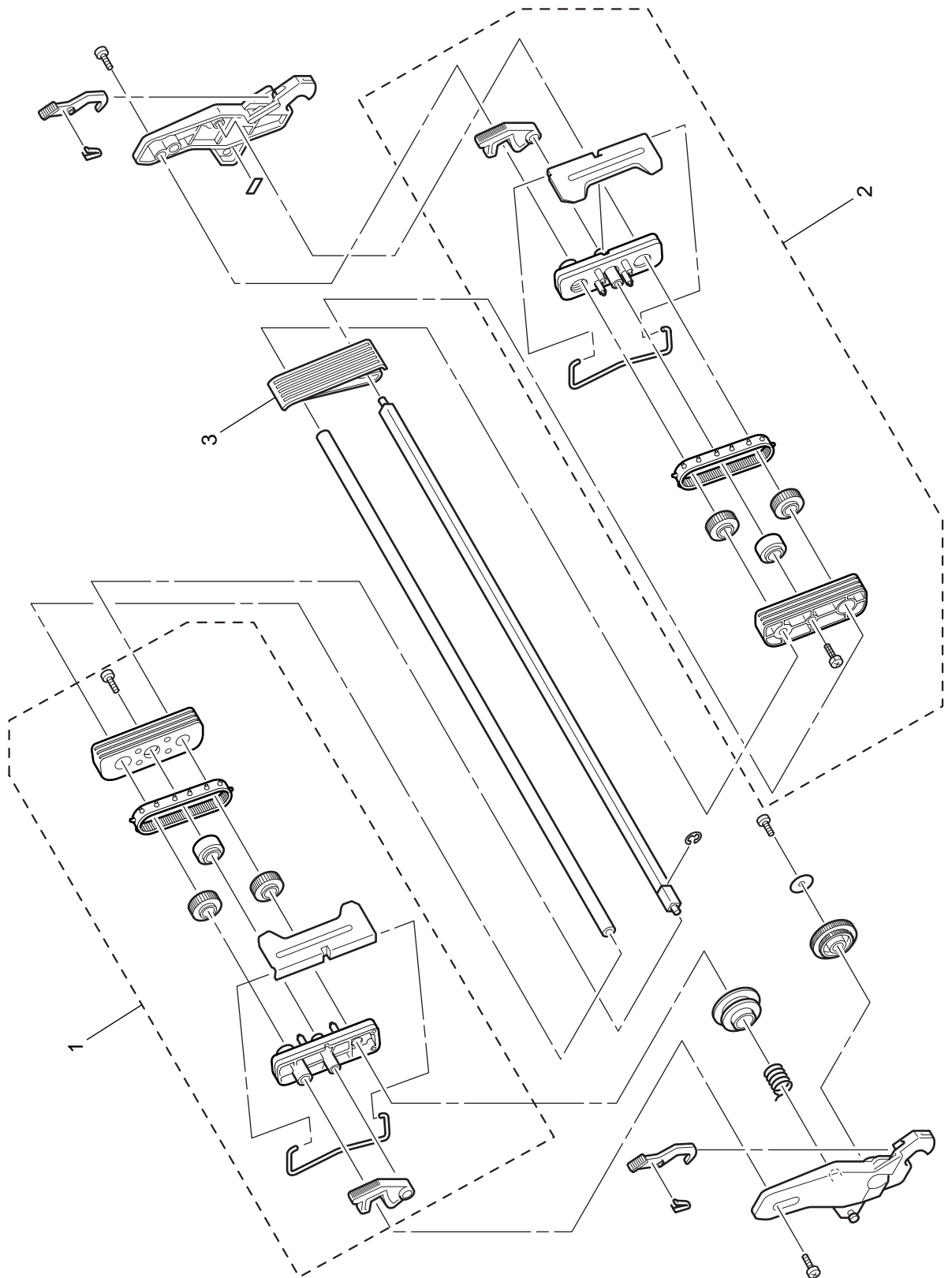
Printer mechanism(Color model)



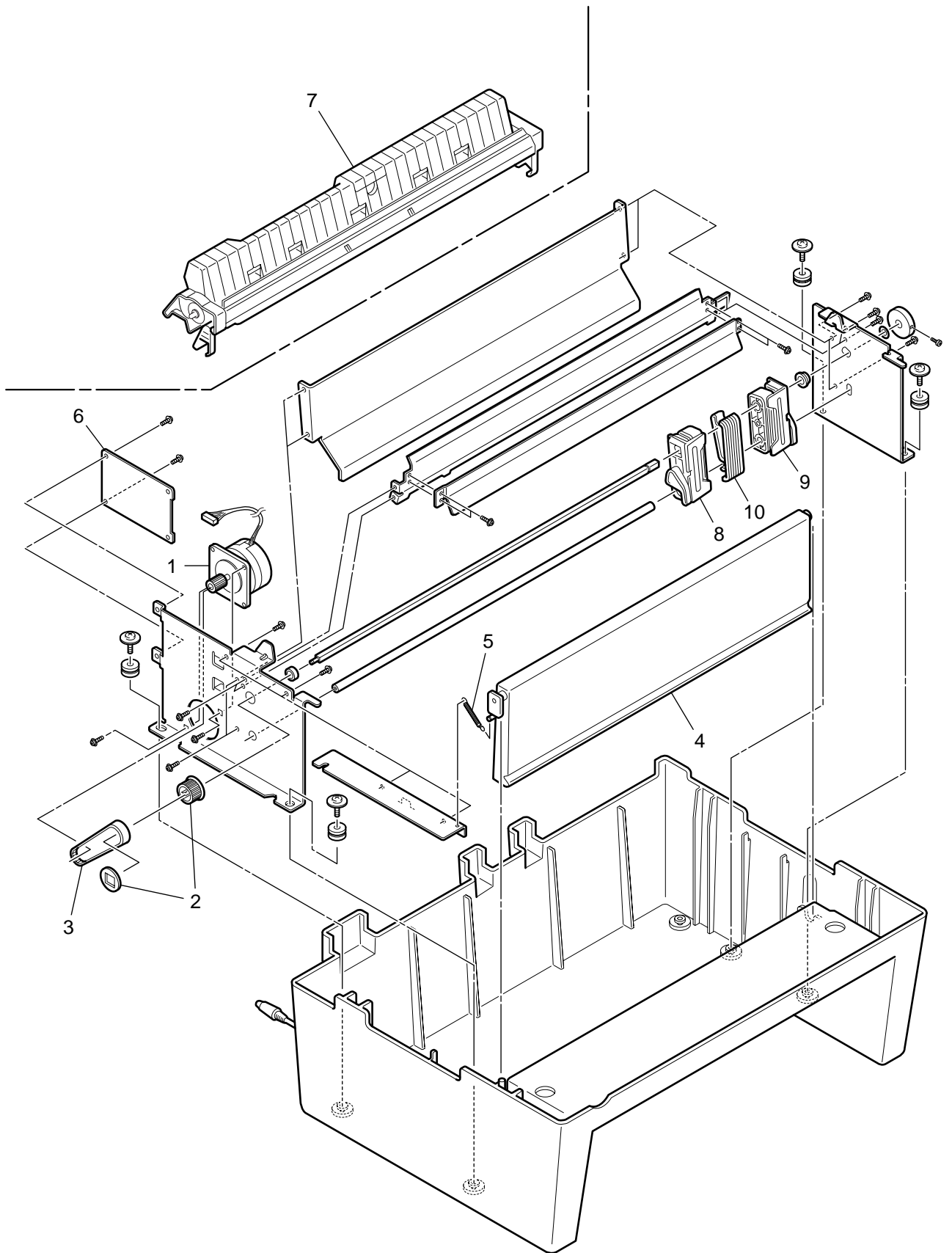
Carriage assembly (Monochrome model)



Carriage assembly (Color model)



Tractor unit (Option)



Bottom Push Tractor (Option)